



Chipsmall Limited consists of a professional team with an average of over 10 year of expertise in the distribution of electronic components. Based in Hongkong, we have already established firm and mutual-benefit business relationships with customers from,Europe,America and south Asia,supplying obsolete and hard-to-find components to meet their specific needs.

With the principle of "Quality Parts,Customers Priority,Honest Operation,and Considerate Service",our business mainly focus on the distribution of electronic components. Line cards we deal with include Microchip,ALPS,ROHM,Xilinx,Pulse,ON,Everlight and Freescale. Main products comprise IC,Modules,Potentiometer,IC Socket,Relay,Connector.Our parts cover such applications as commercial,industrial, and automotives areas.

We are looking forward to setting up business relationship with you and hope to provide you with the best service and solution. Let us make a better world for our industry!



## Contact us

Tel: +86-755-8981 8866 Fax: +86-755-8427 6832

Email & Skype: info@chipsmall.com Web: www.chipsmall.com

Address: A1208, Overseas Decoration Building, #122 Zhenhua RD., Futian, Shenzhen, China



NOTES:

1.0 ELECTRICAL SPECIFICATIONS:

- 1.1 FREQUENCY RANGE:  
M3933/17-01 thru 06: DC to 4.5 GHz  
M3933/17-07 thru 24: DC to 18.0 GHz
- 1.2 ATTENUATION ACCURACY: SEE TABLE
- 1.3 VSWR (MAX): (BOTH ENDS)  
M3933/17-01 thru 06: 1.25:1  
M3933/17-07 thru 24:  
DC to 4.0 GHz: 1.15:1  
4.0 to 8.0 GHz: 1.20:1  
8.0 to 12.4 GHz: 1.25:1  
12.4 to 18.0 GHz: 1.35:1

- 1.4 INPUT POWER:  
POWER INPUT IS DERATED LINEARLY TO 0.5 WATTS AT +125°C.  
M3933/17-01 thru 06: 4 WATTS AVG.  
M3933/17-07 thru 24: 2 WATTS AVG.

- 1.5 PEAK POWER: 0.2 KILOWATTS  
PEAK POWER FOR A DUTY CYCLE OF  $5 \times 10^{-4}$ ,  
MAX. PULSE DURATAION OF 5 MICRSECONDS.

2.0 MARKING: MARK UNIT AS SHOWN (REF.: INK-09208-27-XX)

3.0 DIMENSIONS IN PARENTHESIS ARE IN MILLIMETERS.

4.0 TESTING:  
SCREENED PER ATP-07839-60-01  
NON-SCREEN PER ATP-09210-60-01

REV.	DESCRIPTION	DATE
-	RELEASED	2/3/95
A	ECN 14461	5/4/95
B	ECN 19574	1/15/04
C	ECN 20764	3/10/06

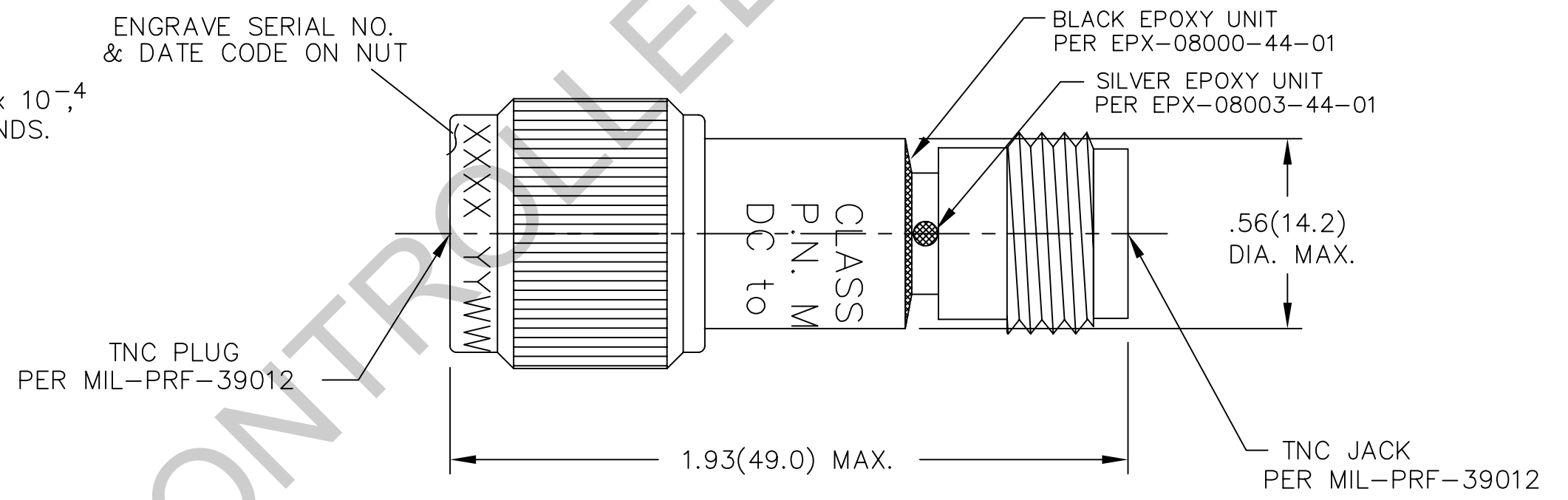
5.0 BAG MARKING:  
MODEL M3933/17-XX (N or S)  
ATTENUATOR FIXED COAXIAL LINE  
YY WATTS AVERAGE INPUT POWER  
FREQ. RANGE: DC-ZZ GHz  
MFR 34078  
LOT NO. \_\_\_\_\_  
DATE CODE: [YYWW]  
YEAR & WEEK

SEE TABLE

SEE TABLE

-12	4	±0.4
-11	3	±0.4
-10	2	±0.4
-09	1	±0.4
-08	30	±0.9
-07	20	±0.6
-06	6	±0.4
-05	5	±0.4
-04	4	±0.4
-03	3	±0.4
-02	2	±0.4
-01	1	±0.3
M3933/17-XX MODEL NO.	(dB) ATTEN.	ATTEN. ACCURACY

-22	40	±1.0
-21	35	±0.9
-20	25	±0.8
-19	15	±0.5
-18	12	±0.5
-17	10	±0.5
-16	8	±.05
-15	7	±0.5
-14	6	±0.4
-13	5	±0.4
M3933/17-XX MODEL NO.	(dB) ATTEN.	ATTEN. ACCURACY



UNLESS OTHERWISE NOTED DIMENSIONS ARE IN INCHES AND TOLERANCES ARE:  
3 PLACE DECIMALS ±.005  
2 PLACE DECIMALS ±.02  
FRACTIONS ±1/64  
PARALLELITY: T.I.R. \_\_\_\_\_  
FLATNESS: T.I.R. \_\_\_\_\_  
CONCENTRICITY: T.I.R. \_\_\_\_\_  
ANGLES AND PERPENDICULARITY: ±1°

FSCM NO. <b>34078</b>	<b>MIDWEST MICROWAVE</b>	
NOTICE: The information contained in this drawing is proprietary and must not be used without the permission of Midwest Microwave	TITLE ATTENUATOR	
DRAWN/DATE A.BEATTY 1/27/95	ENG./DATE G.KOZAK 2/3/95	DRAWING NUMBER M3933/17-XX(N or S)
CHECKED/DATE M.HOLLMAN 2/3/95	APPROVED/DATE	SCALE: 3=1 SHEET 1 of 1