



Chipsmall Limited consists of a professional team with an average of over 10 year of expertise in the distribution of electronic components. Based in Hongkong, we have already established firm and mutual-benefit business relationships with customers from,Europe,America and south Asia,supplying obsolete and hard-to-find components to meet their specific needs.

With the principle of “Quality Parts,Customers Priority,Honest Operation,and Considerate Service”,our business mainly focus on the distribution of electronic components. Line cards we deal with include Microchip,ALPS,ROHM,Xilinx,Pulse,ON,Everlight and Freescale. Main products comprise IC,Modules,Potentiometer,IC Socket,Relay,Connector.Our parts cover such applications as commercial,industrial, and automotives areas.

We are looking forward to setting up business relationship with you and hope to provide you with the best service and solution. Let us make a better world for our industry!



## Contact us

Tel: +86-755-8981 8866 Fax: +86-755-8427 6832

Email & Skype: info@chipsmall.com Web: www.chipsmall.com

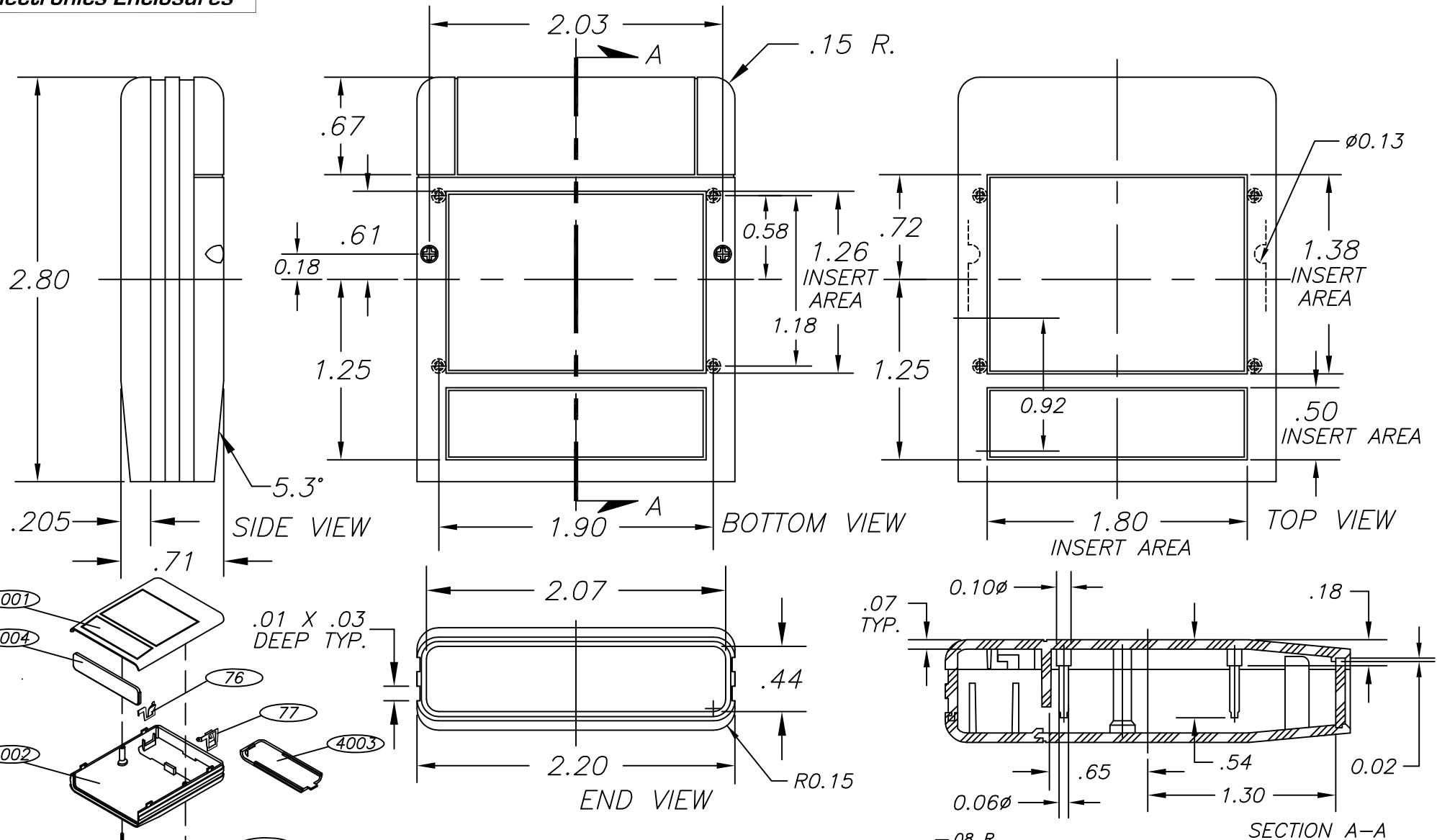
Address: A1208, Overseas Decoration Building, #122 Zhenhua RD., Futian, Shenzhen, China



# SERPAC M-4

Electronics Enclosures

NOTES:  
1. WHEN MACHINE OR I PLATES MODIFICATIONS ARE REQUIRED,  
USE THE CENTER OF THE ENCLOSURE TO DIMENSION.



11-7-2008.

ALL DIMENSIONS  $\pm .010$

PART NO.	DESCRIPTION	ACCESSORIES	
		PART NO.	DESCRIPTION
4001	PLASTIC TOP		
4004	PLASTIC FACE PLATE		
4003	PLASTIC BATTERY COVER	1030	PLASTIC POCKET CLIP
4002	PLASTIC BOTTOM	4004CL	CLEAR FACE PLATE
76	BATTERY CONTACTOR	4004IR	INFRARED FACE PLATE
77	BATTERY CONTACTOR	4004R	RED FACE PLATE
6001	SCREWS (2)		

