



Chipsmall Limited consists of a professional team with an average of over 10 year of expertise in the distribution of electronic components. Based in Hongkong, we have already established firm and mutual-benefit business relationships with customers from,Europe,America and south Asia,supplying obsolete and hard-to-find components to meet their specific needs.

With the principle of “Quality Parts,Customers Priority,Honest Operation,and Considerate Service”,our business mainly focus on the distribution of electronic components. Line cards we deal with include Microchip,ALPS,ROHM,Xilinx,Pulse,ON,Everlight and Freescale. Main products comprise IC,Modules,Potentiometer,IC Socket,Relay,Connector.Our parts cover such applications as commercial,industrial, and automotives areas.

We are looking forward to setting up business relationship with you and hope to provide you with the best service and solution. Let us make a better world for our industry!



## Contact us

Tel: +86-755-8981 8866 Fax: +86-755-8427 6832

Email & Skype: info@chipsmall.com Web: www.chipsmall.com

Address: A1208, Overseas Decoration Building, #122 Zhenhua RD., Futian, Shenzhen, China



# Customer Information Sheet

DRAWING No.: M40-310XX45R SHEET 3 OF 4

IF IN DOUBT - ASK

©

NOT TO SCALE

THIRD ANGLE PROJECTION

ALL DIMENSIONS IN mm

**SPECIFICATIONS:**

**MATERIAL:**  
 MOULDING = GLASS FILLED NYLON PA6T UL94V-0, BLACK

**CONTACT = PHOSPHOR BRONZE**

**FINISH:**  
 GOLD FLASH OVER NICKEL

**ELECTRICAL:**  
 CURRENT RATING = 1A  
 INSULATION RESISTANCE = 5,000 MEGOHMS MIN.  
 CONTACT RESISTANCE = 20 MILLIOHMS MAX.  
 VOLTAGE PROOF = 1000V AC

**MECHANICAL:**  
 INSERTION FORCE = 1.5N MAX  
 WITHDRAWAL FORCE = 0.1N MIN.  
 DURABILITY = 300 CYCLES

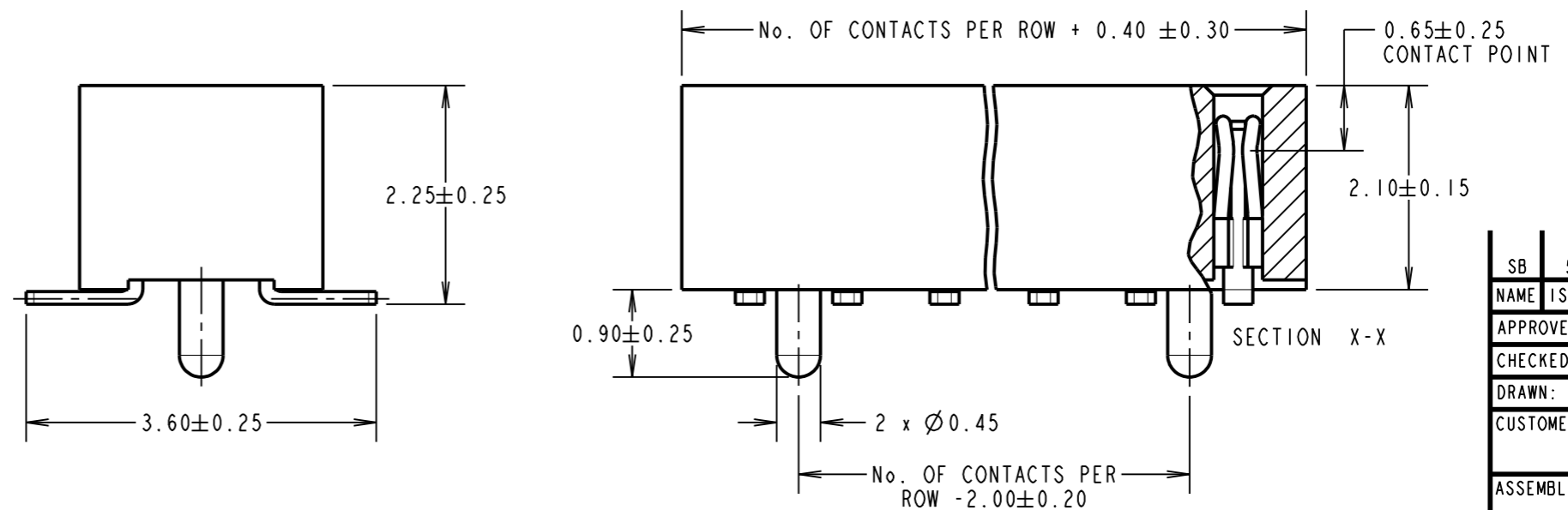
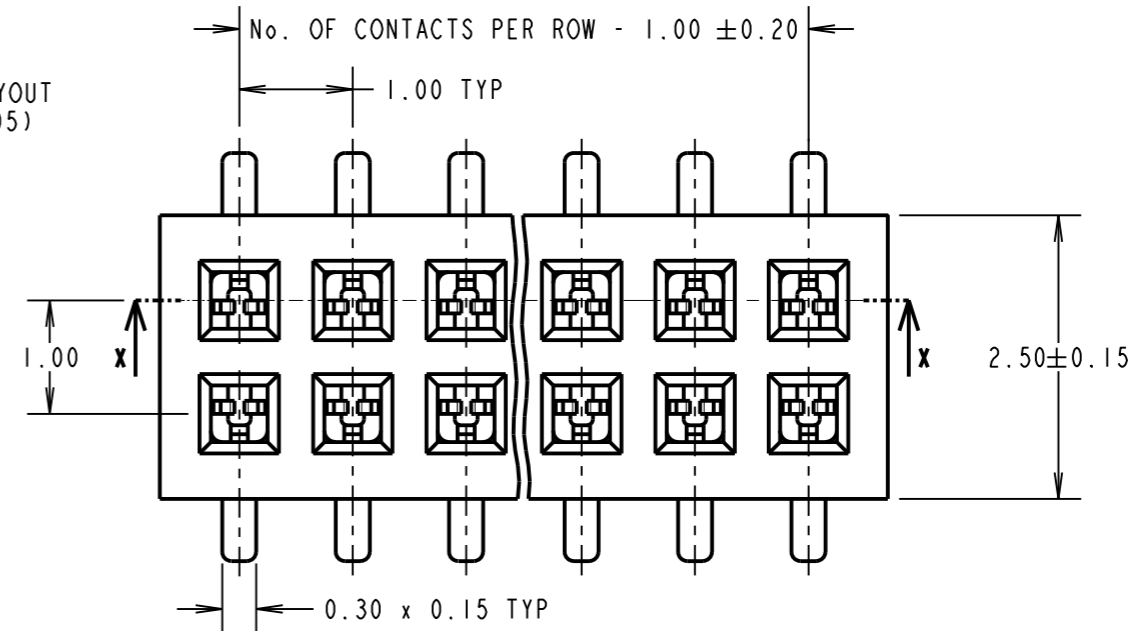
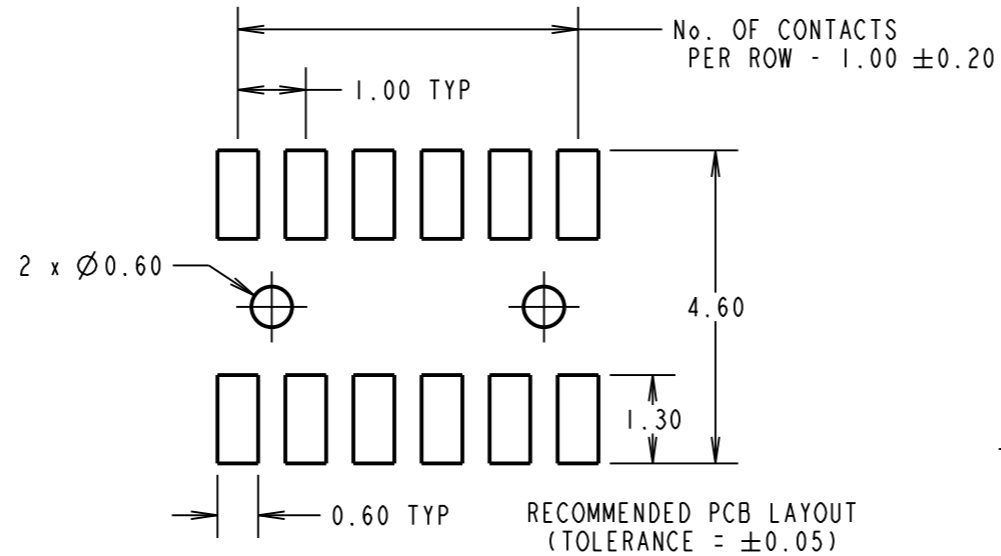
**ENVIRONMENTAL:**  
 OPERATING TEMPERATURE = -40°C TO +105°C

FOR COMPLETE MECHANICAL/ELECTRICAL SPECIFICATION, SEE COMPONENT SPECIFICATION C026XX (LATEST ISSUE)

ORDER CODE:  
**M40-310XX45R**

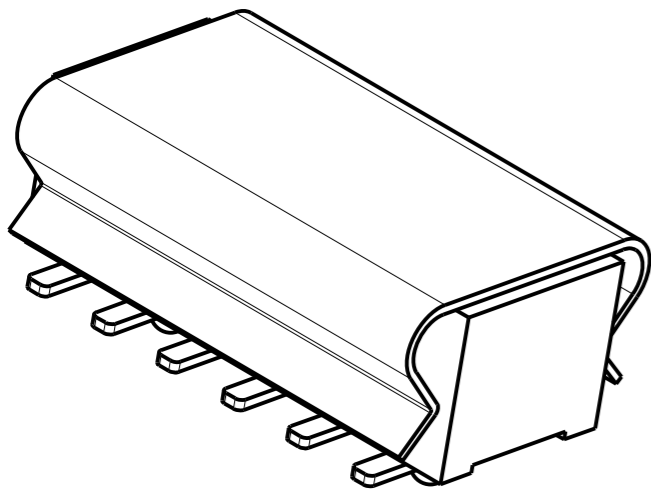
No. OF CONTACTS PER ROW:  
 03, 04, 05, 06, 08, 10, 20, 25

FINISH:  
 45 = GOLD FLASH OVER NICKEL



**NOTES:**

- FOR REELING DETAILS, SEE SHEET 4.
- CAP REMOVED FROM MAIN VIEWS FOR CLARITY, PART COMES FITTED WITH CAP. SEE SHEET 4 FOR CAP DETAILS.



SB	5	22.09.14	12588
NAME	ISS.	DATE	C/NOTE
APPROVED:		S.BENNETT	
CHECKED:		M.PLESTED	
DRAWN:		R.ADDE	
CUSTOMER REF.:			
ASSEMBLY DRG:			

**HARWIN**

www.harwin.com  
 technical@harwin.com

THIS DRAWING AND ANY INFORMATION OR DESCRIPTIVE MATTER SET OUT HEREON ARE CONFIDENTIAL AND COPYRIGHT PROPERTY OF THE HARWIN GROUP AND MUST NOT BE DISCLOSED, LOANED, COPIED OR USED FOR MANUFACTURING, TENDERING OR FOR ANY OTHER PURPOSE WITHOUT THEIR WRITTEN PERMISSION.

**TOLERANCES**  
 X. = ±1mm  
 X.X = ±0.50mm  
 X.XX = ±0.10mm  
 X.XXX = ±0.01mm  
 ANGLES = ±5°  
 UNLESS STATED

**MATERIAL:**  
 SEE ABOVE

**FINISH:** SEE ABOVE

**S/AREA:** mm<sup>2</sup>

**TITLE:** 1mm PITCH DIL SMT SKT ASSEMBLY (T & R) WITH P & P CAP

**DRAWING NUMBER:** M40-310XX45R

SHT 3 OF 4

# Customer Information Sheet

DRAWING No.: M40-310XX45R

SHEET 4 OF 4

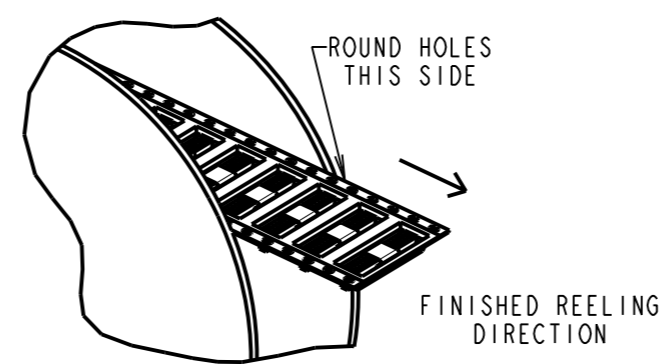
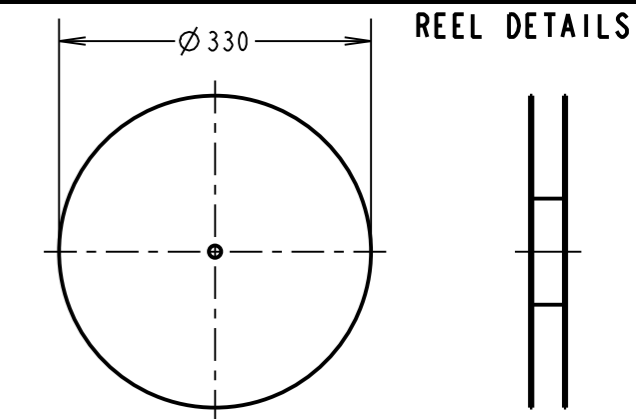
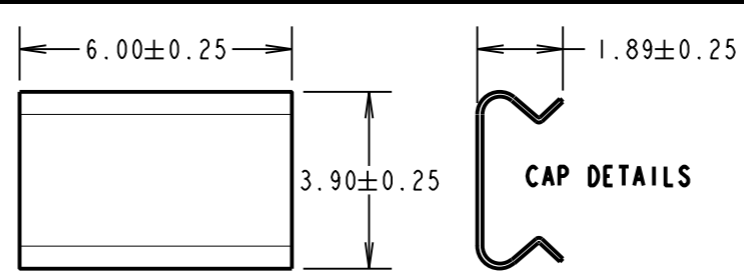
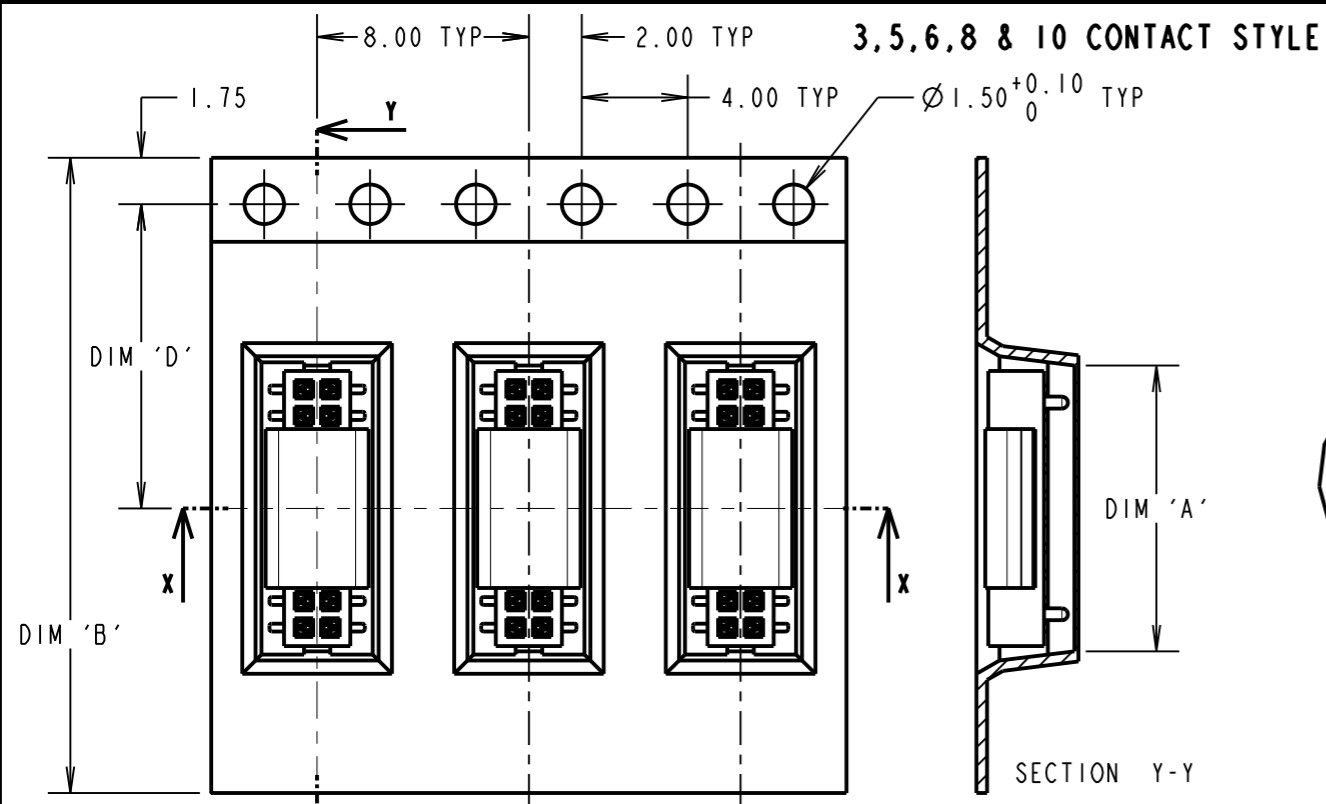
IF IN DOUBT - ASK

(C)

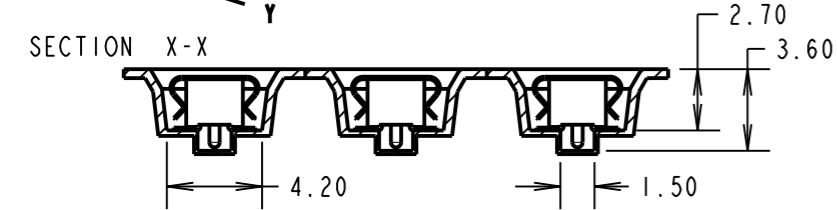
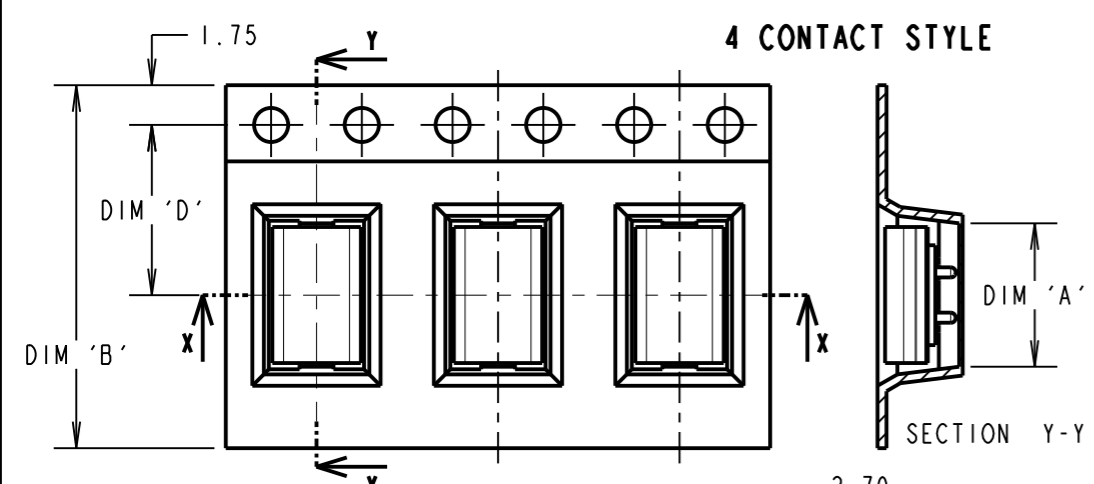
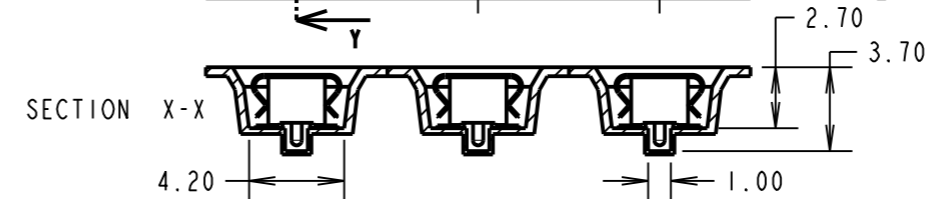
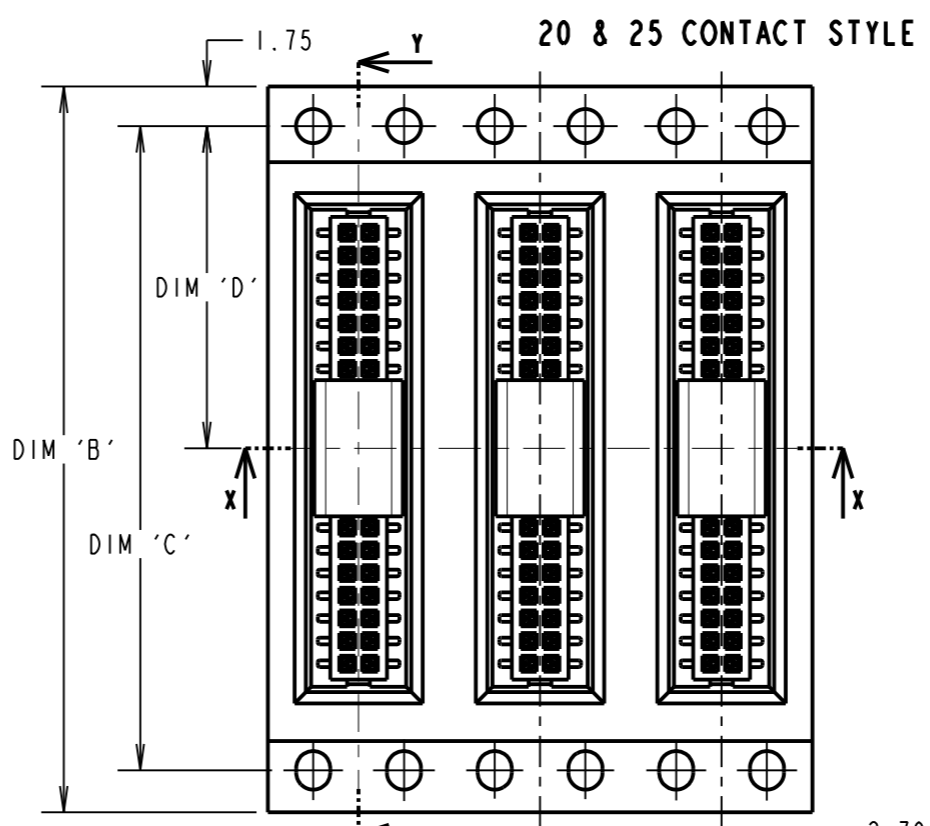
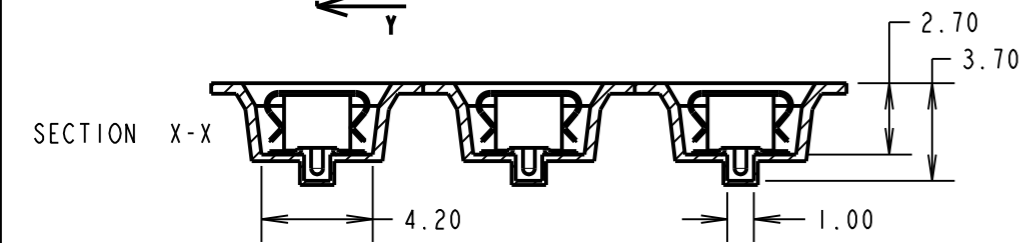
NOT TO SCALE

THIRD ANGLE PROJECTION

ALL DIMENSIONS IN mm



PART NUMBER	DIM 'A'	DIM 'B'	DIM 'C'	DIM 'D'
M40-3100345R	6.30	16.00 ± 0.30	X	7.50 ± 0.15
M40-3100445R	6.30			
M40-3100545R	6.30			
M40-3100645R	6.90	24.00 ± 0.30	X	11.50 ± 0.15
M40-3100845R	8.80			
M40-3101045R	10.80	32.00 ± 0.30	28.40	14.20 ± 0.15
M40-3102045R	20.80			
M40-3102545R	25.80			



ORDER CODE:  
**M40-310XX45R**

No. OF CONTACTS PER ROW:  
03, 04, 05, 06, 08, 10, 20, 25

FINISH:  
45 = GOLD FLASH OVER NICKEL

SB	5	22.09.14	12588
NAME	ISS.	DATE	C/NOTE
APPROVED:		S.BENNETT	
CHECKED:		M.PLESTED	
DRAWN:		R.ADDE	
CUSTOMER REF.:			
ASSEMBLY DRG:			

- NOTES:
- FOR CONNECTOR DIMENSIONS, SEE SHEET 3.
  - TAPE & REEL IS IN GENERAL ACCORDANCE WITH EIA-481 (ELECTRONIC INDUSTRIES ASSOCIATION).
  - PICK & PLACE CAP IS THE SAME FOR ALL SIZES.
  - QUANTITY PER REEL FOR ALL SIZES = 2000.
  - TAPE THICKNESS = 0.40mm.

**HARWIN**

www.harwin.com  
technical@harwin.com

THIS DRAWING AND ANY INFORMATION OR DESCRIPTIVE MATTER SET OUT HEREON ARE CONFIDENTIAL AND COPYRIGHT PROPERTY OF THE HARWIN GROUP AND MUST NOT BE REPRODUCED, LOANED, COPIED OR USED FOR MANUFACTURING, TENDERING OR FOR ANY OTHER PURPOSE WITHOUT THEIR WRITTEN PERMISSION.

TOLERANCES  
X. = ±1mm  
X.X = ±0.50mm  
X.XX = ±0.10mm  
X.XXX = ±0.01mm  
ANGLES = ±5°  
UNLESS STATED

MATERIAL: SEE ABOVE  
FINISH: SEE ABOVE  
S/AREA: mm<sup>2</sup>

TITLE: 1mm PITCH DIL SMT SKT ASSEMBLY (T & R) WITH P & P CAP  
DRAWING NUMBER: **M40-310XX45R**  
SHT 4 OF 4