



Chipsmall Limited consists of a professional team with an average of over 10 year of expertise in the distribution of electronic components. Based in Hongkong, we have already established firm and mutual-benefit business relationships with customers from,Europe,America and south Asia,supplying obsolete and hard-to-find components to meet their specific needs.

With the principle of "Quality Parts,Customers Priority,Honest Operation,and Considerate Service",our business mainly focus on the distribution of electronic components. Line cards we deal with include Microchip,ALPS,ROHM,Xilinx,Pulse,ON,Everlight and Freescale. Main products comprise IC,Modules,Potentiometer,IC Socket,Relay,Connector.Our parts cover such applications as commercial,industrial, and automotives areas.

We are looking forward to setting up business relationship with you and hope to provide you with the best service and solution. Let us make a better world for our industry!



Contact us

Tel: +86-755-8981 8866 Fax: +86-755-8427 6832

Email & Skype: info@chipsmall.com Web: www.chipsmall.com

Address: A1208, Overseas Decoration Building, #122 Zhenhua RD., Futian, Shenzhen, China



Customer Information Sheet

DRAWING No.: M40-620XX46R

SHEET 3 OF 4

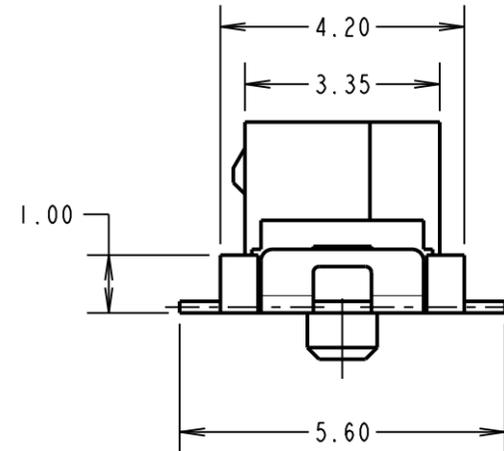
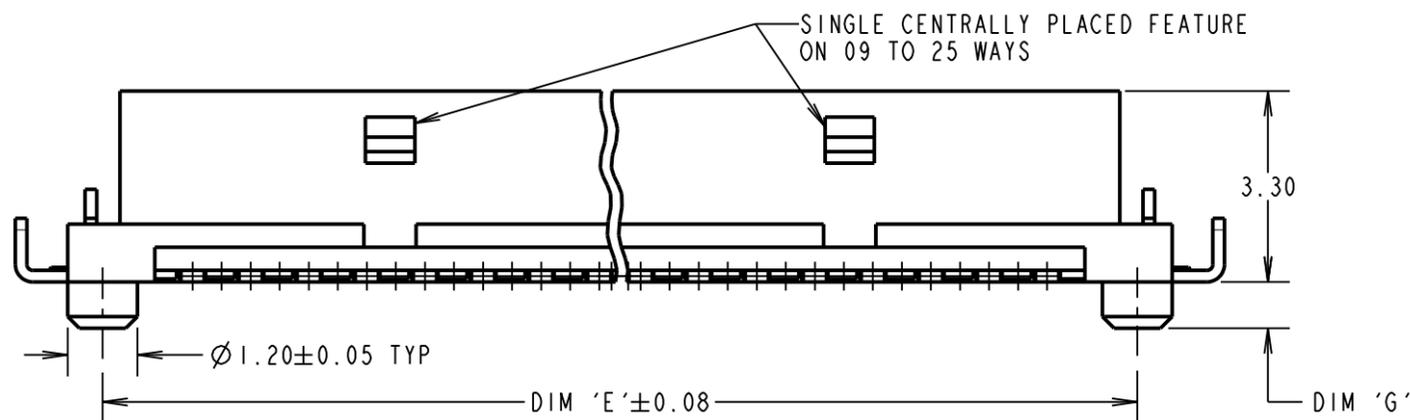
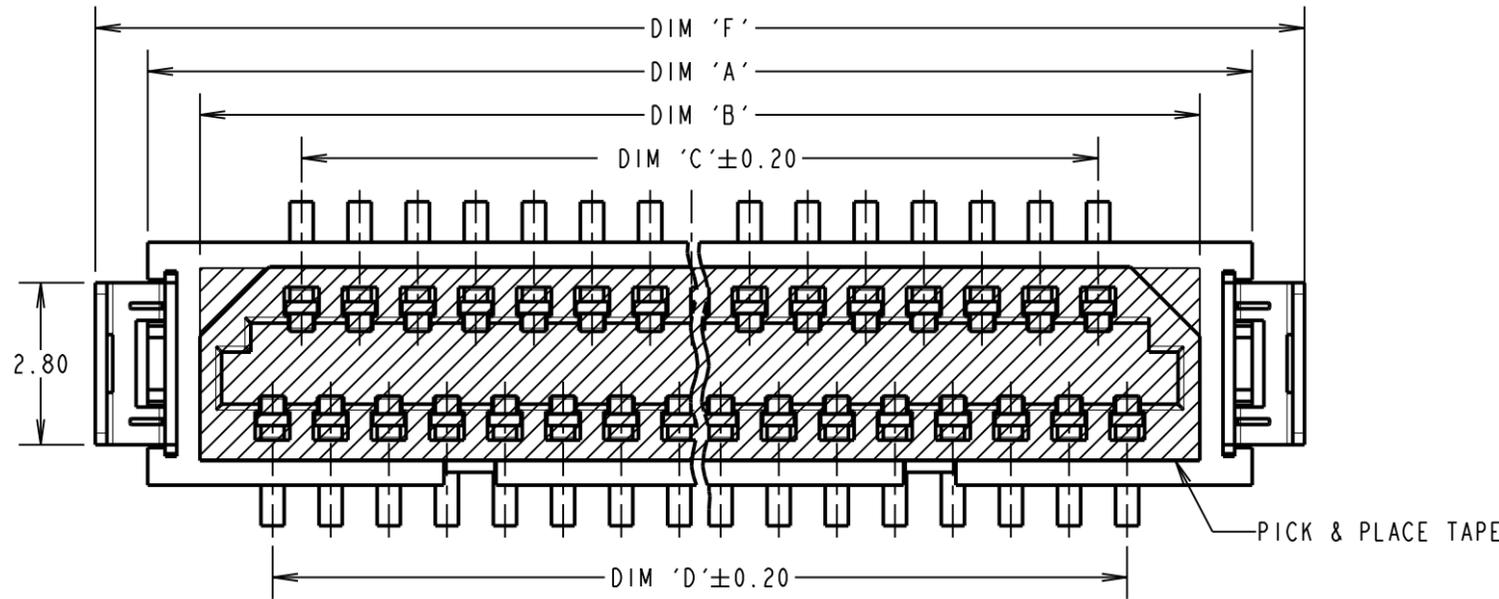
IF IN DOUBT - ASK

©

NOT TO SCALE

THIRD ANGLE PROJECTION

ALL DIMENSIONS IN mm



PART No.	No. OF CONTACTS	DIM 'A'	DIM 'B'	DIM 'C'	DIM 'D'	DIM 'E'	DIM 'F'	DIM 'G'	DIM 'H'
M40-6200946	9	8.30	6.50	3.00	4.00	7.10	10.10	1.00	1.84 ^{+0.10} _{-0.00}
M40-6201546	15	11.30	9.50	6.00	7.00	10.10	13.10		
M40-6202146	21	14.30	12.50	9.00	10.00	13.10	16.10		
M40-6202546	25	16.30	14.50	11.00	12.00	15.10	18.10	0.80	3.00 ^{+0.00} _{-0.10}
M40-6203146	31	19.30	17.50	14.00	15.00	18.10	21.10		
M40-6204146	41	24.30	22.50	19.00	20.00	23.10	26.10		
M40-6205146	51	29.30	27.50	24.00	25.00	28.10	31.10		

SPECIFICATIONS:

MATERIAL:

MOULDING = LCP, NATURAL, UL94V-0
 CONTACTS = PHOSPHOR BRONZE
 RETAINER = BRASS

FINISH = 2.03µ MIN 100% TIN, OVER 1.27µ MIN NICKEL

ELECTRICAL:

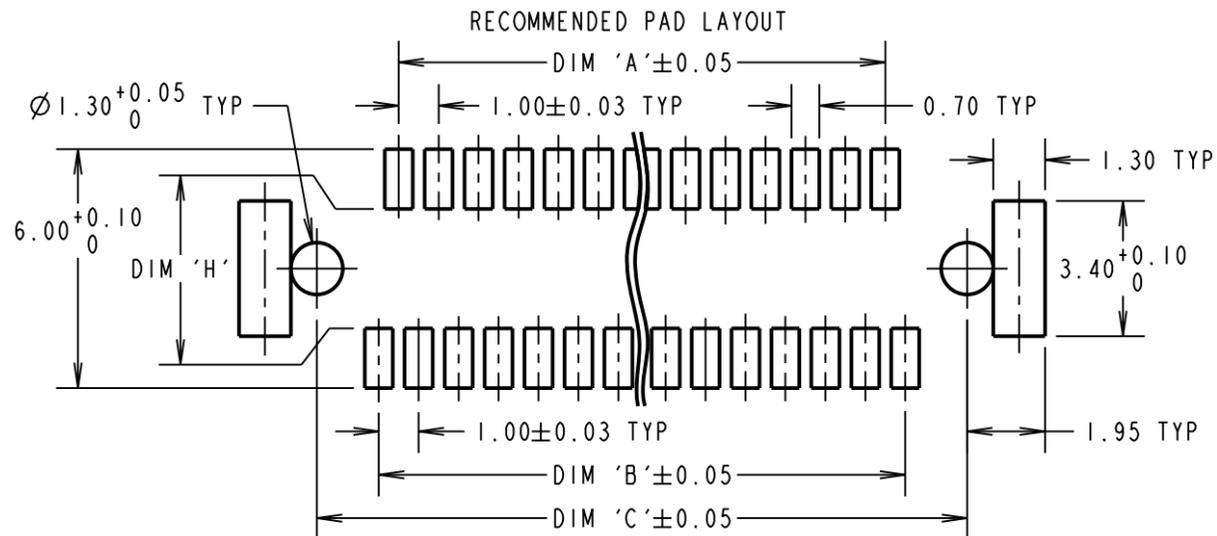
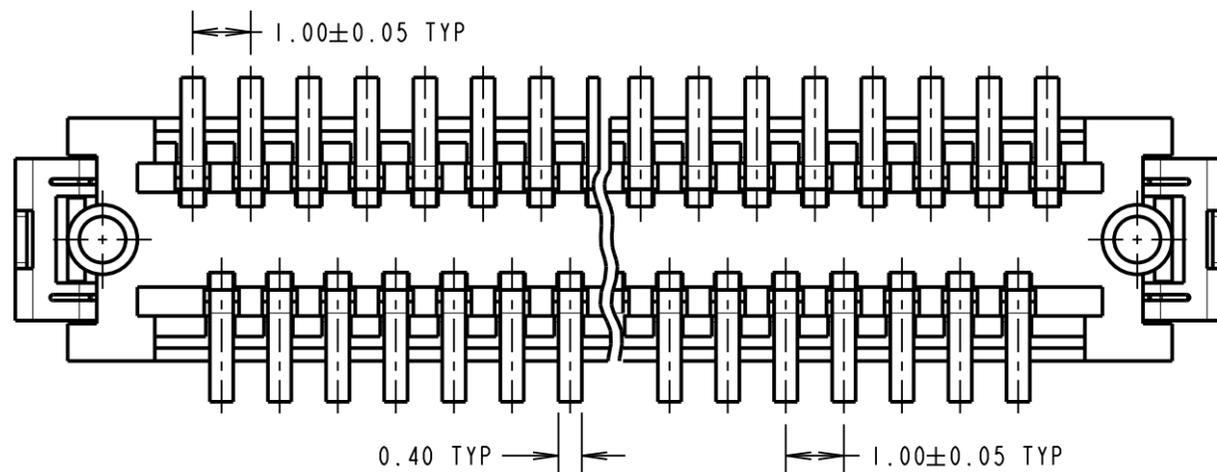
CURRENT RATING = 0.5 A
 VOLTAGE RATING = 250V AC
 DIELECTRIC STRENGTH = 250V AC FOR 1 MINUTE
 INSULATION RESISTANCE = 500 MEGAOHMS MIN (100V DC)
 CONTACT RESISTANCE = 50 MILLIOHMS MAX (0.1A DC)

MECHANICAL:

DURABILITY = 30 CYCLES MIN

ENVIRONMENTAL:

TEMPERATURE RANGE = -20°C TO +125°C



ORDER CODE: **M40-620XX46R**

No. OF CONTACTS:
 9, 15, 21, 25, 31,
 41, 51

FINISH:
 46 = 100% TIN

NOTES:

- MATES WITH M40-600XX46 TO GIVE 4.3mm BOARD TO BOARD HEIGHT.
- ALL TOLERANCES ARE ±0.25 UNLESS OTHERWISE STATED.
- SEE DRAWING M40-620XX46 FOR COMPONENT DETAILS.
- SEE SHEET 4 FOR TAPE & REEL PRODUCT.
- SUPPLIED WITH HIGH TEMPERATURE TAPE FOR PICK & PLACE.

HARWIN

www.harwin.com
 technical@harwin.com

THIS DRAWING AND ANY INFORMATION OR DESCRIPTIVE MATTER SET OUT HEREON ARE CONFIDENTIAL AND COPYRIGHT PROPERTY OF THE HARWIN GROUP AND MUST NOT BE DISCLOSED, LOANED, COPIED OR USED FOR MANUFACTURING, TENDERING OR FOR ANY OTHER PURPOSE WITHOUT THEIR WRITTEN PERMISSION.

TOLERANCES
 X = ±1mm
 X.X = ±0.50mm
 X.XX = ±0.10mm
 X.XXX = ±0.01mm
 ANGLES = ±5°
 UNLESS STATED

MATERIAL:
 SEE ABOVE
FINISH: SEE ABOVE
S/AREA: mm²

TITLE: 1.00mm PITCH SMT SOCKET CONNECTOR (WITH PICK & PLACE, TAPE & REELED)

DRAWING NUMBER:
M40-620XX46R

SB	13	30.08.16	13452
NAME	ISS.	DATE	C/NOTE
APPROVED:		S.BENNETT	
CHECKED:		M.PLESTED	
DRAWN:		R.ADDE	
CUSTOMER REF.:			
ASSEMBLY DRG:			

Customer Information Sheet

DRAWING No.: M40-620XX46R

SHEET 4 OF 4

IF IN DOUBT - ASK

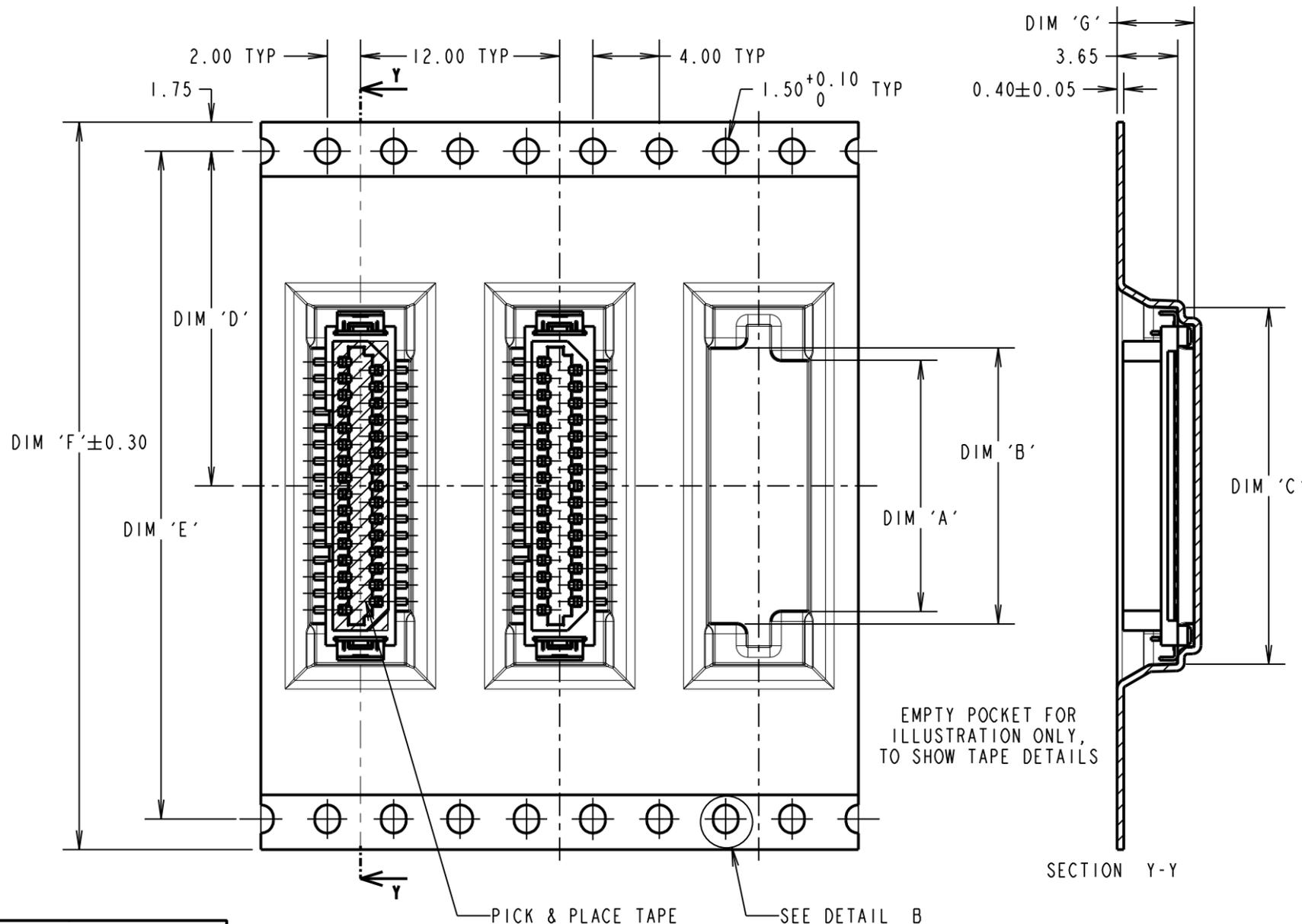
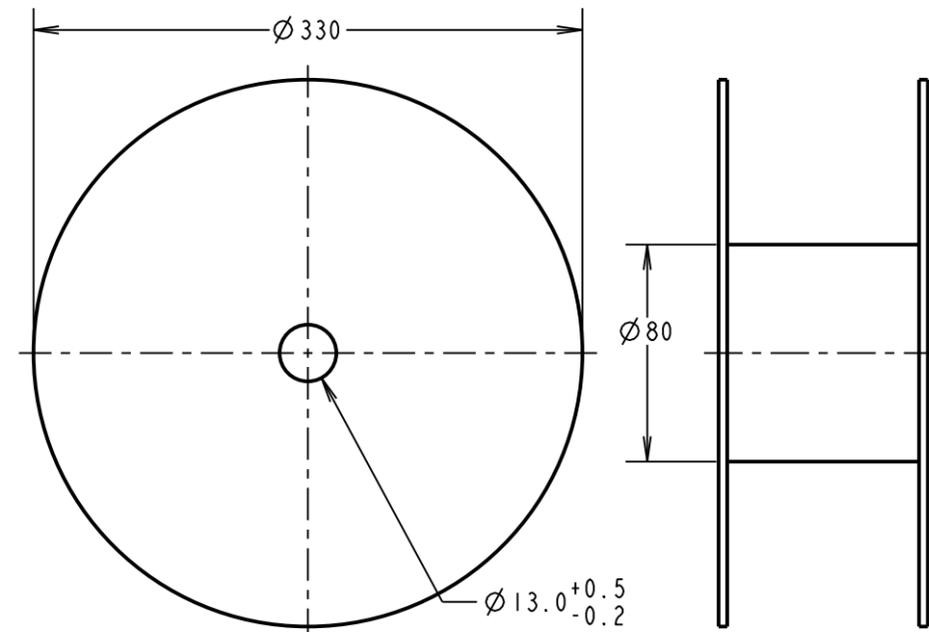
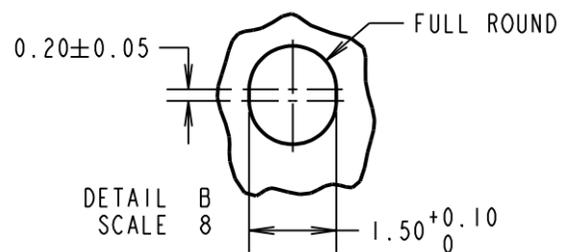
©

NOT TO SCALE

THIRD ANGLE PROJECTION

ALL DIMENSIONS IN mm

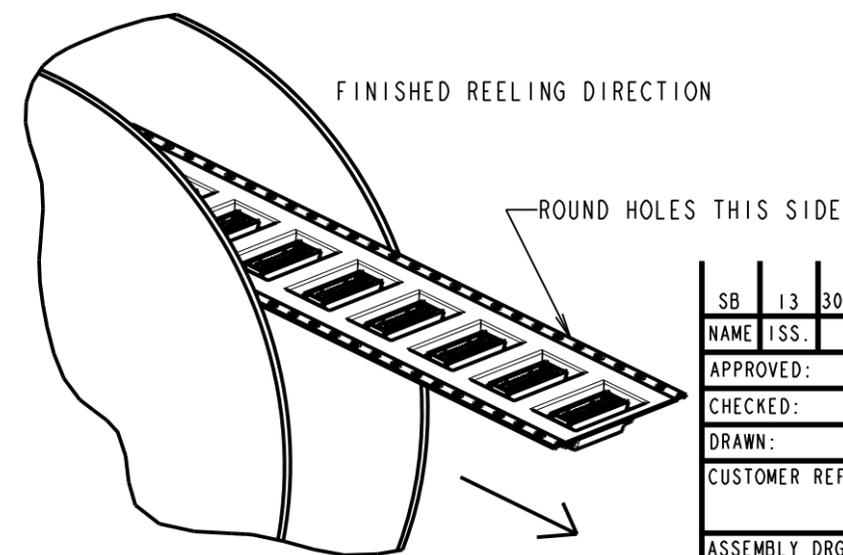
ASSEMBLY PART No.	DIM 'A'	DIM 'B'	DIM 'C'	DIM 'D'	DIM 'E'	DIM 'F'	DIM 'G'
M40-6000946R	4.00	5.50	10.50	11.50	24.00±0.30	32.00±0.30	4.85
M40-6001546R	7.00	8.50	13.50				
M40-6002146R	10.00	11.50	16.50	14.20	28.40	44.00±0.30	
M40-6002546R	12.00	13.50	18.50				
M40-6003146R	15.00	16.50	21.50	20.20±0.15	40.40	4.65	
M40-6004146R	20.00	21.50	26.50				
M40-6005146R	25.00	26.50	31.50				



EMPTY POCKET FOR ILLUSTRATION ONLY, TO SHOW TAPE DETAILS

SECTION Y-Y

- NOTES:
- FOR CONNECTOR DIMENSIONS SEE SHEET 3.
 - TAPE AND REELING IN ACCORDANCE WITH ELECTRONIC INDUSTRIES ASSOCIATION EIA-481.
 - QUANTITY PER REEL = 1000 COMPONENTS.



SB	13	30.08.16	13452
NAME	ISS.	DATE	C/NOTE
APPROVED:		S. BENNETT	
CHECKED:		M. PLESTED	
DRAWN:		R. ADDE	
CUSTOMER REF.:			
ASSEMBLY DRG:			

ORDER CODE:
M40-620XX46R

No. OF CONTACTS: 9, 15, 21, 25, 31, 41, 51

FINISH: 46 = 100% TIN

HARWIN

www.harwin.com
technical@harwin.com

THIS DRAWING AND ANY INFORMATION OR DESCRIPTIVE MATTER SET OUT HEREON ARE CONFIDENTIAL AND COPYRIGHT PROPERTY OF THE HARWIN GROUP AND MUST NOT BE DISCLOSED, LOANED, COPIED OR USED FOR MANUFACTURING, TENDERING OR FOR ANY OTHER PURPOSE WITHOUT THEIR WRITTEN PERMISSION.

TOLERANCES
X. = ±1mm
X.X = ±0.50mm
X.XX = ±0.10mm
X.XXX = ±0.01mm
ANGLES = ±5°
UNLESS STATED

MATERIAL:
SEE ABOVE
FINISH: SEE ABOVE
S/AREA: mm²

TITLE: 1.00mm PITCH SMT SOCKET CONNECTOR (WITH PICK & PLACE, TAPE & REELED)
DRAWING NUMBER:
M40-620XX46R

SHT 4 OF 4