



Chipsmall Limited consists of a professional team with an average of over 10 year of expertise in the distribution of electronic components. Based in Hongkong, we have already established firm and mutual-benefit business relationships with customers from,Europe,America and south Asia,supplying obsolete and hard-to-find components to meet their specific needs.

With the principle of “Quality Parts,Customers Priority,Honest Operation,and Considerate Service”,our business mainly focus on the distribution of electronic components. Line cards we deal with include Microchip,ALPS,ROHM,Xilinx,Pulse,ON,Everlight and Freescale. Main products comprise IC,Modules,Potentiometer,IC Socket,Relay,Connector.Our parts cover such applications as commercial,industrial, and automotives areas.

We are looking forward to setting up business relationship with you and hope to provide you with the best service and solution. Let us make a better world for our industry!



Contact us

Tel: +86-755-8981 8866 Fax: +86-755-8427 6832

Email & Skype: info@chipsmall.com Web: www.chipsmall.com

Address: A1208, Overseas Decoration Building, #122 Zhenhua RD., Futian, Shenzhen, China



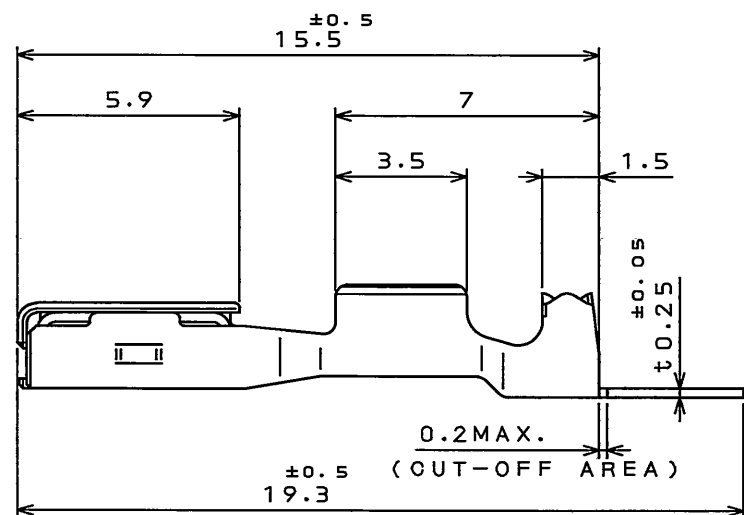
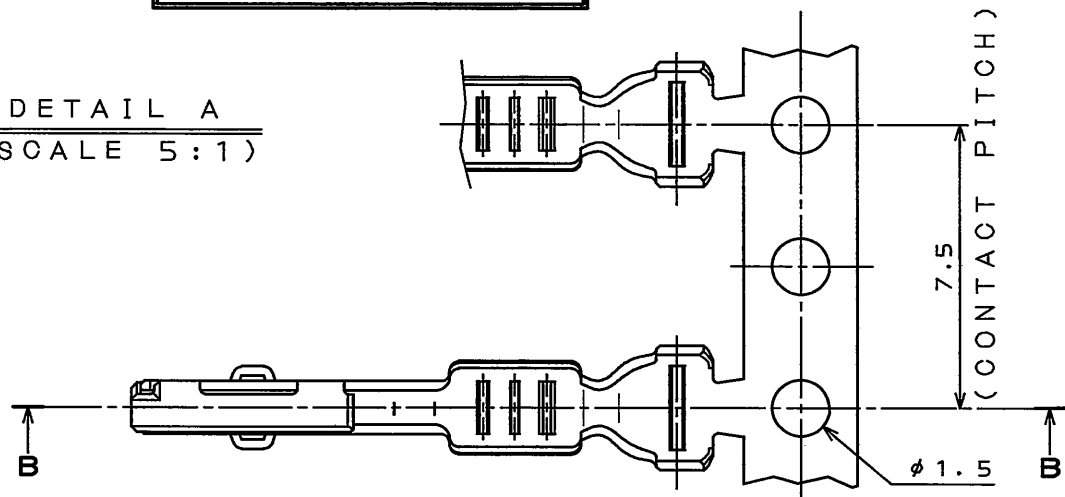
E90Z0LPS

(ON 0NIMVHD)台番理図

△
特別管理品目
SPECIAL CONTROL ITEM
MX(AUTO)

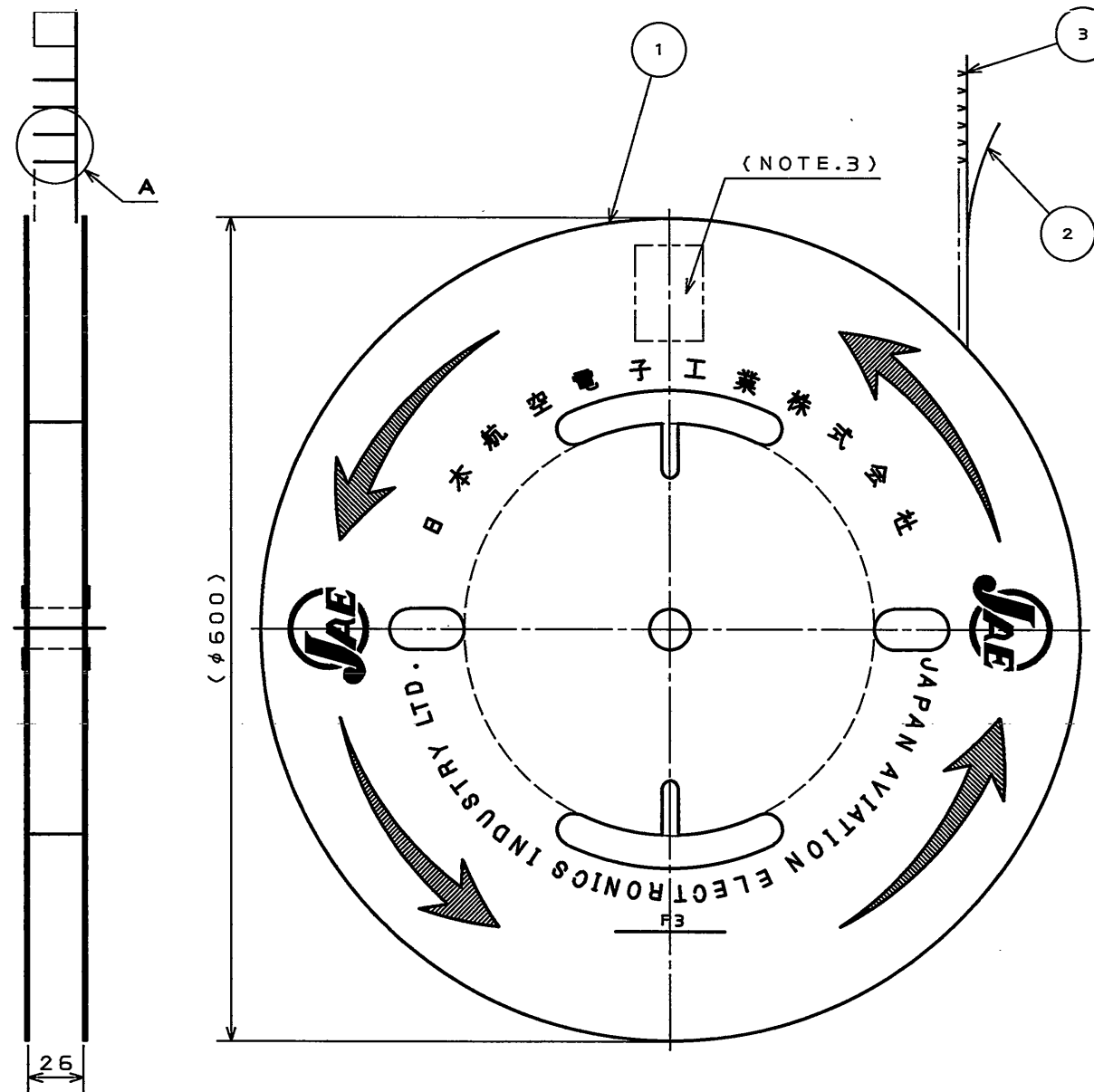
版数 REV.	年月日 DATE	DCN NO.	変更内容 DESCRIPTION	製図 DR.	担当 CHK.	査閲 APPD.	承認 APPD.
2	13.May.2011	072061	ADD THE LOGO OF "SPECIAL CONTROL ITEM"		M.KUROIWA		R.Oiri

DETAIL A
(SCALE 5:1)



SECT. B-B
(SCALE 5:1)

- NOTE 1. APPLICABLE WIRE: CONDUCTOR DIAMETER 0.3~0.5mm² STANDARD. APPLICABLE WIRE INSULATION OUTER DIA. 1.4~1.7mm. (ex. AVSS0.3sq, 0.5sq)
2. NO PLATING ON THE SHEARED AREA OF CONTACT.
3. THE QUANTITY (5000) AND THE PART NUMBER ARE AS SHOWN IN THE DRAWING.
- 注 1. 使用電線は、導体断面積0.3~0.5mm²被覆外径φ1.4~φ1.7の撚線とする。(AVSS0.3sq, 0.5sq等)
2. 剪断面に、めっきは付かない。
3. 現品票により数量5000及び品名を表示する。



3	CONTACT	5000	COPPER ALLOY	TIN PLATING	
2	PAPER TAPE	1	PAPER		
1	REEL	1	PAPER		
符号 NO.	名称 DESCRIPTION	個数 QTY.	材料 MATERIAL	仕上 FINISH	備考 REMARKS
仕様書(SPECIFICATION)	JACS-10389	第1版(ORIGINAL DATE)	12.Jul.2007	尺度(SCALE)	5:1
製図 DR.	T.MORITA	名称(TITLE)	M44S05K4F1 (MX44 CONNECTOR 025 SOCKET CONTACT)		
担当 CHK.	Y.NAKAMURA	製図 DR.	T.MORITA	製図 DR.	
査閲 APPD.		担当 CHK.	Y.NAKAMURA	製図 DR.	
承認 APPD.	T.TOTANI	承認 APPD.	T.TOTANI	製図 DR.	
		質量(MASS)			
					日本航空電子工業株式会社 JAPAN AVIATION ELECTRONICS INDUSTRY, LTD.
					図面番号(DRAWING NO.) SJ107063
					版数 (REV.) 2