



Chipsmall Limited consists of a professional team with an average of over 10 year of expertise in the distribution of electronic components. Based in Hongkong, we have already established firm and mutual-benefit business relationships with customers from,Europe,America and south Asia,supplying obsolete and hard-to-find components to meet their specific needs.

With the principle of “Quality Parts,Customers Priority,Honest Operation,and Considerate Service”,our business mainly focus on the distribution of electronic components. Line cards we deal with include Microchip,ALPS,ROHM,Xilinx,Pulse,ON,Everlight and Freescale. Main products comprise IC,Modules,Potentiometer,IC Socket,Relay,Connector.Our parts cover such applications as commercial,industrial, and automotives areas.

We are looking forward to setting up business relationship with you and hope to provide you with the best service and solution. Let us make a better world for our industry!



Contact us

Tel: +86-755-8981 8866 Fax: +86-755-8427 6832

Email & Skype: info@chipsmall.com Web: www.chipsmall.com

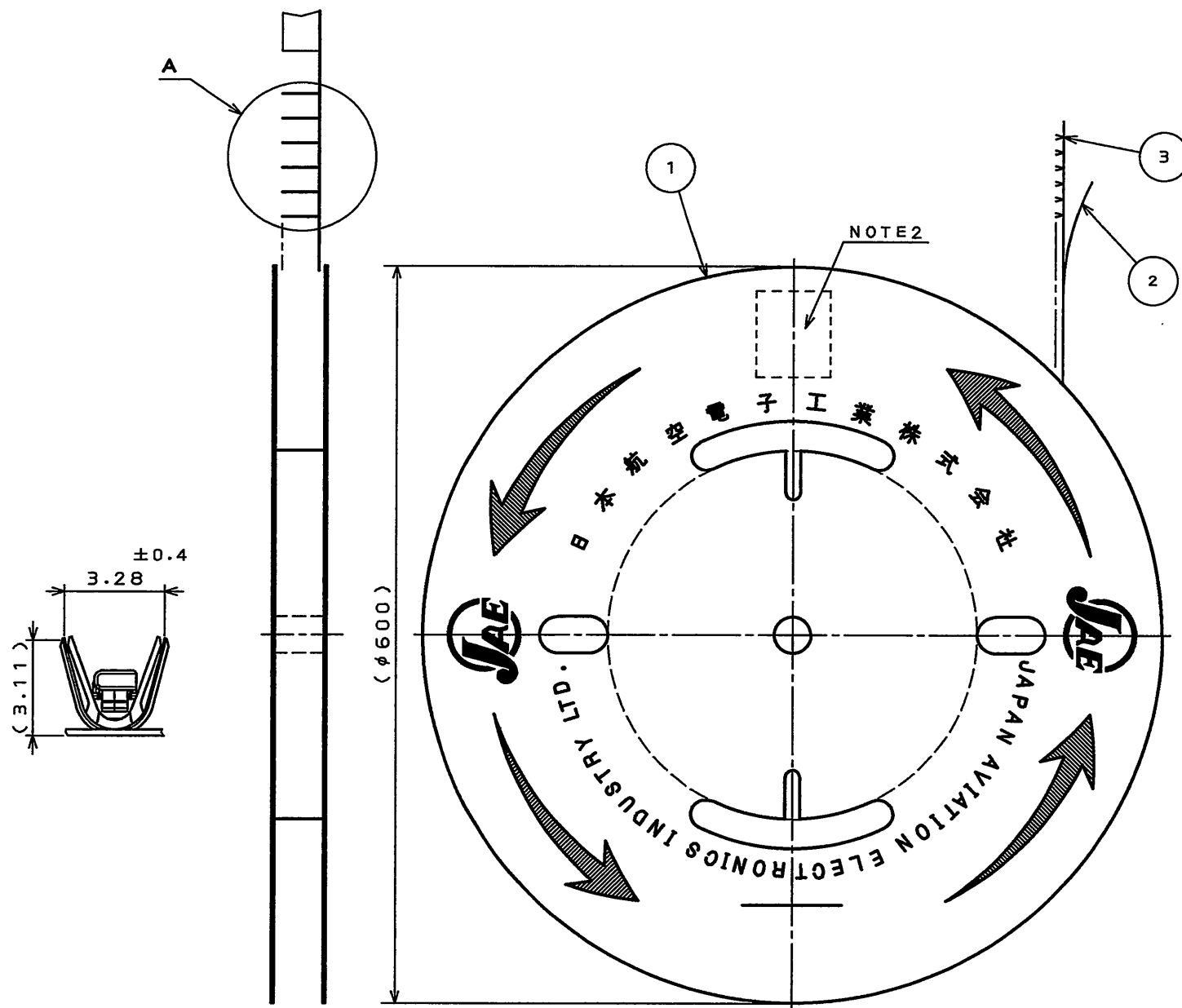
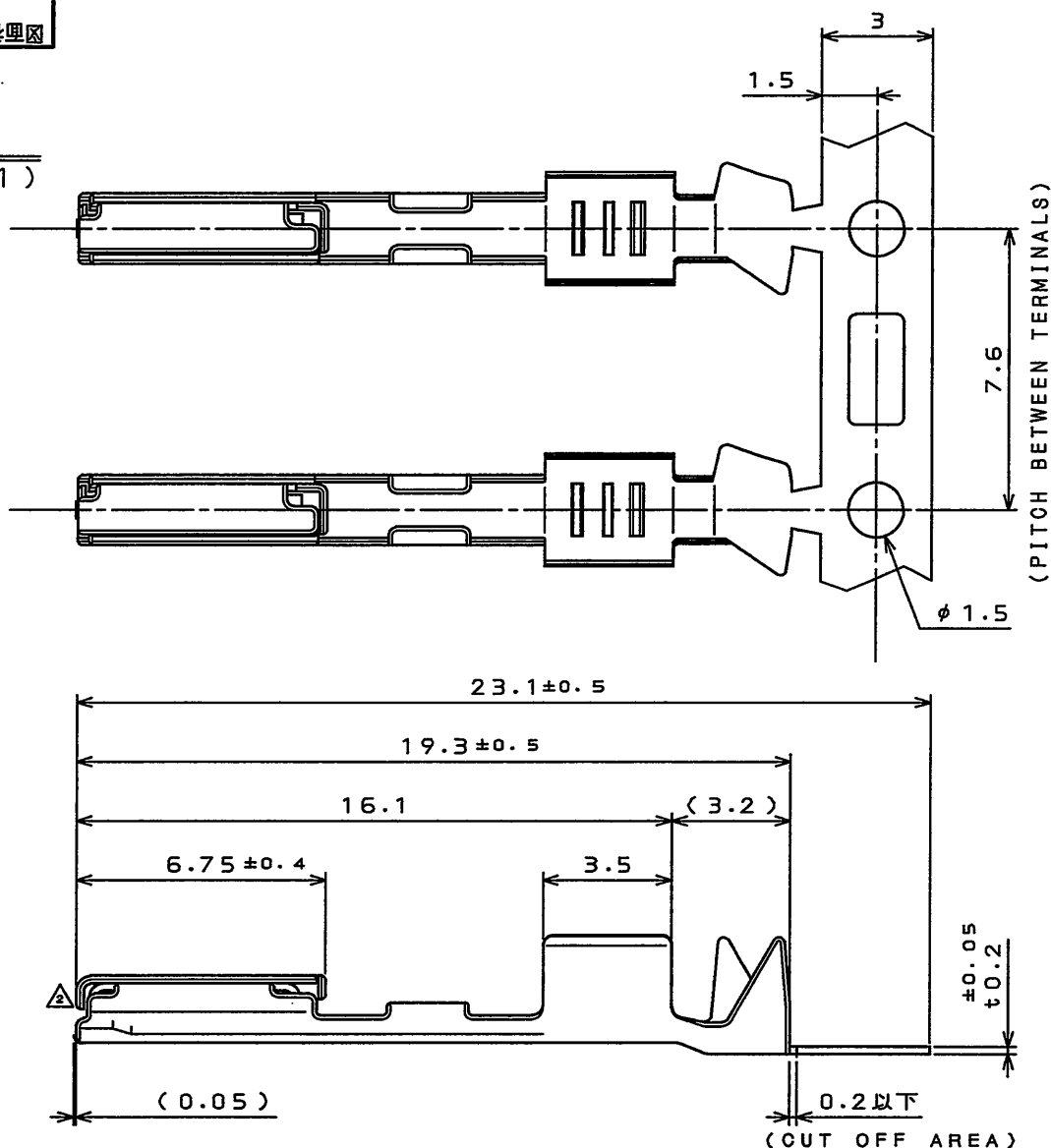
Address: A1208, Overseas Decoration Building, #122 Zhenhua RD., Futian, Shenzhen, China



6556019S
(ON ENIMVH)台票圖

版数 REV.	年月日 DATE	DGN NO.	変更内容 DESCRIPTION	製図 DR.	担当 CHK.	査閲 APPD.	承認 APPD.
2	20.Apr.2010	069843	接点パネ部形状変更	T.HAYASHI	A.KIMURA	—	N.Oiri

DETAIL A
(SCALE 5:1)



NOTE 1. APPLICABLE STRANDED WIRE WITH CALCULATED AREA 1.25mm² AND OVERALL FINISHED DIAMETER φ 2.1~φ 2.2 (AVSS1.25sq)
 2. NO PLATING ON THE SHEARED EDGES OF TERMINAL.
 3. ITEM NAME AND QUANTITY ARE SHOWN.

注意 1. 使用電線は、導体断面積 1.25mm²、被覆外径 φ 2.1~φ 2.2 の撚線とする。
 (AVSS1.25sq)
 2. せん断面に、メッキは付かない。
 3. 現品票により数量6500及び品名を表示する。

3	SOCKET CONTACT	6500	COPPER ALLOY	TIN PLATING	
2	TAPE	1	PAPER		
1	REEL	1	PAPER		
符号 NO.	名称 DESCRIPTION	個数 QTY.	材 料 MATERIAL	仕 上 FINISH	備 考 REMARKS
仕様書 (SPECIFICATION)		第1版 (ORIGINAL DATE)		尺 度 (SCALE)	シ リ ー ズ (SERIES)
JACS-10621 JAHL-10621		09.Oct.2009		1:5	MX47
公差 (GENERAL TOLERANCE)		製 図 DR.		名 称 (TITLE)	
寸法 (DIMENSION) 角度 (ANGLES)		担 当 CHK.		M47S65H2FA	
. ±0.8 X° ±		査 閲 APPD.		SOCKET CONTACT	
.X ±0.4 X°X' ±		承 認 APPD.		質量 (MASS)	
.XX ±0.1		N.OIRI		⊕	
.XXX ±					
				日本航空電子工業株式会社 JAPAN AVIATION ELECTRONICS INDUSTRY, LTD.	
				図面番号 (DRAWING NO.)	
				SJ109559	
				版数 (REV.)	
				2	

DOF-0-212F(05.08)

0 10 20 30 40 50 60 70 80 90 100