



Chipsmall Limited consists of a professional team with an average of over 10 year of expertise in the distribution of electronic components. Based in Hongkong, we have already established firm and mutual-benefit business relationships with customers from,Europe,America and south Asia,supplying obsolete and hard-to-find components to meet their specific needs.

With the principle of “Quality Parts,Customers Priority,Honest Operation,and Considerate Service”,our business mainly focus on the distribution of electronic components. Line cards we deal with include Microchip,ALPS,ROHM,Xilinx,Pulse,ON,Everlight and Freescale. Main products comprise IC,Modules,Potentiometer,IC Socket,Relay,Connector.Our parts cover such applications as commercial,industrial, and automotives areas.

We are looking forward to setting up business relationship with you and hope to provide you with the best service and solution. Let us make a better world for our industry!



Contact us

Tel: +86-755-8981 8866 Fax: +86-755-8427 6832

Email & Skype: info@chipsmall.com Web: www.chipsmall.com

Address: A1208, Overseas Decoration Building, #122 Zhenhua RD., Futian, Shenzhen, China



Customer Information Sheet

DRAWING No.: M50-20X0005

SHEET 2 OF 2

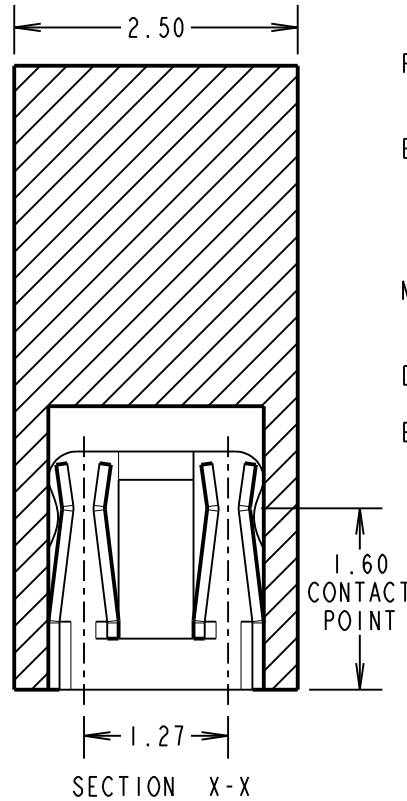
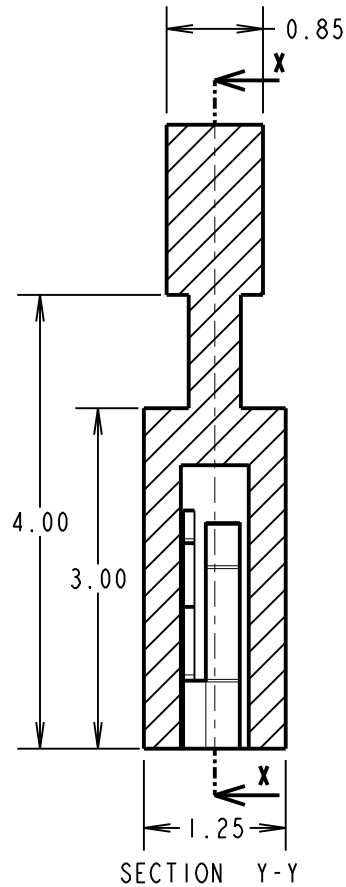
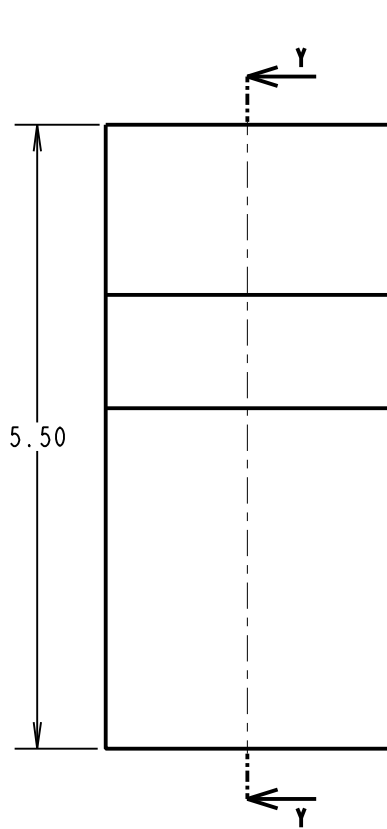
IF IN DOUBT - ASK

©

NOT TO SCALE

THIRD ANGLE PROJECTION

ALL DIMENSIONS IN mm



SPECIFICATION.

MATERIAL:

INSULATOR = PBT, UL94V-0
FOR COLOUR SEE TABLE

CONTACT = COPPER ALLOY

FINISH:

0.025 μ MIN GOLD FLASH OVER

0.81 μ MIN NICKEL

ELECTRICAL:

CURRENT RATING = 1 AMP

INSULATION RESISTANCE = 1000M Ω MIN.

CONTACT RESISTANCE = 20m Ω MAX

DIELECTRIC VOLTAGE = 500V AC FOR ONE MINUTE

MECHANICAL:

INSERTION FORCE = 10.0N MAX

WITHDRAWAL FORCE = 0.6N MIN

DURABILITY:

300 OPERATIONS

ENVIRONMENTAL:

OPERATING TEMPERATURE = -40°C TO +105°C

NOTES:
1. ALL TOLERANCES ARE ± 0.12 UNLESS OTHERWISE STATED.

MSP	3	18.04.17	20396
NAME	ISS.	DATE	C/NOTE
APPROVED:		M.PERREN	
CHECKED:		S.BENNETT	
DRAWN:		R.ADDE	
CUSTOMER REF.:			
ASSEMBLY DRG:			

PART No.	COLOUR
M50-2000005	BLACK
M50-2020005	RED
M50-2030005	BLUE

HARWIN

www.harwin.com
technical@harwin.com

THIS DRAWING AND ANY INFORMATION OR DESCRIPTIVE MATTER SET OUT HEREON ARE CONFIDENTIAL AND COPYRIGHT PROPERTY OF THE HARWIN GROUP AND MUST NOT BE DISCLOSED, LOANED, COPIED OR USED FOR MANUFACTURING, TENDERING OR FOR ANY OTHER PURPOSE WITHOUT THEIR WRITTEN PERMISSION.

TOLERANCES
~~X = ± 1 mm
X.X = ± 0.50 mm
X.XX = ± 0.10 mm
X.XXX = ± 0.01 mm
ANGLES = $\pm 5^\circ$
UNLESS STATED~~

MATERIAL:
SEE ABOVE

FINISH: SEE ABOVE

S/AREA: mm²

TITLE:
1.27mm JUMPER SOCKET
(WITH HANDLE)

DRAWING NUMBER:
M50-20X0005