



Chipsmall Limited consists of a professional team with an average of over 10 year of expertise in the distribution of electronic components. Based in Hongkong, we have already established firm and mutual-benefit business relationships with customers from,Europe,America and south Asia,supplying obsolete and hard-to-find components to meet their specific needs.

With the principle of "Quality Parts,Customers Priority,Honest Operation,and Considerate Service",our business mainly focus on the distribution of electronic components. Line cards we deal with include Microchip,ALPS,ROHM,Xilinx,Pulse,ON,Everlight and Freescale. Main products comprise IC,Modules,Potentiometer,IC Socket,Relay,Connector.Our parts cover such applications as commercial,industrial, and automotives areas.

We are looking forward to setting up business relationship with you and hope to provide you with the best service and solution. Let us make a better world for our industry!



Contact us

Tel: +86-755-8981 8866 Fax: +86-755-8427 6832

Email & Skype: info@chipsmall.com Web: www.chipsmall.com

Address: A1208, Overseas Decoration Building, #122 Zhenhua RD., Futian, Shenzhen, China



Customer Information Sheet

DRAWING No.: M50-300XX45

SHEET 3 OF 3

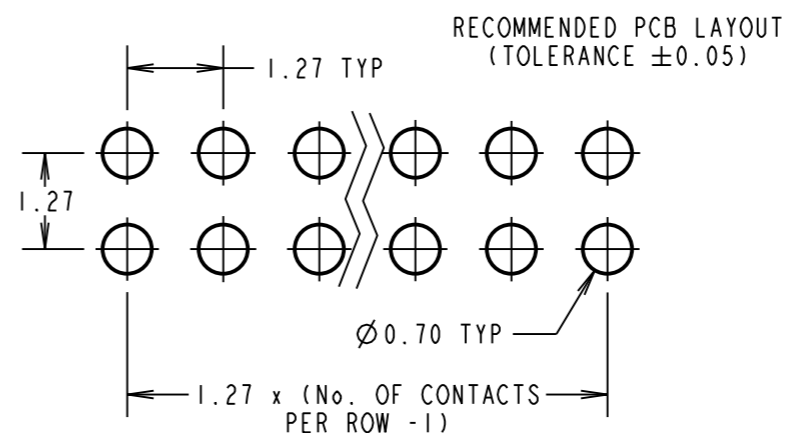
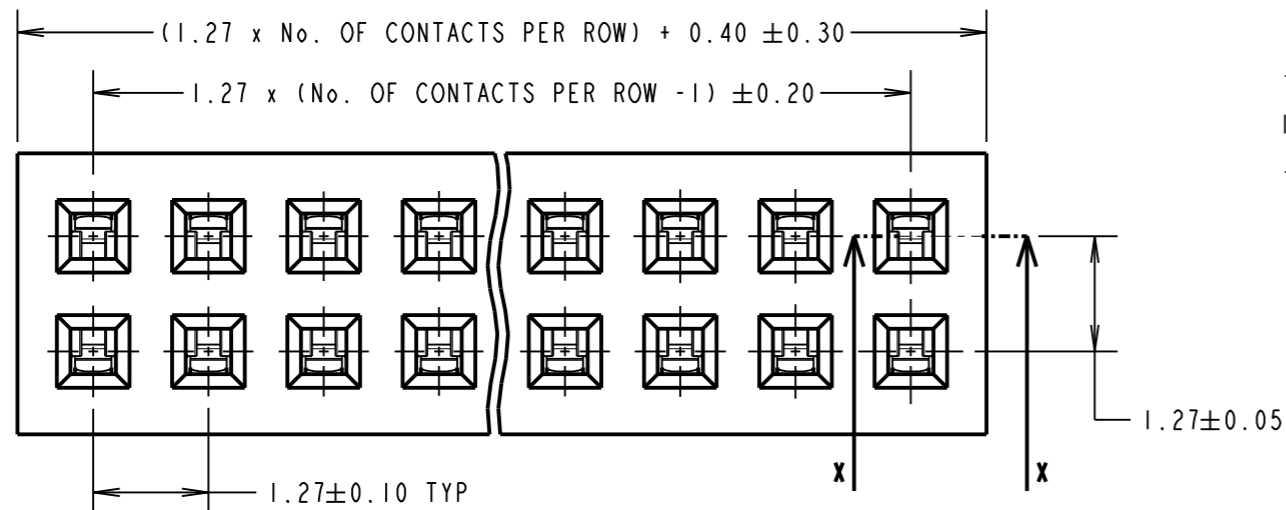
IF IN DOUBT - ASK

(C)

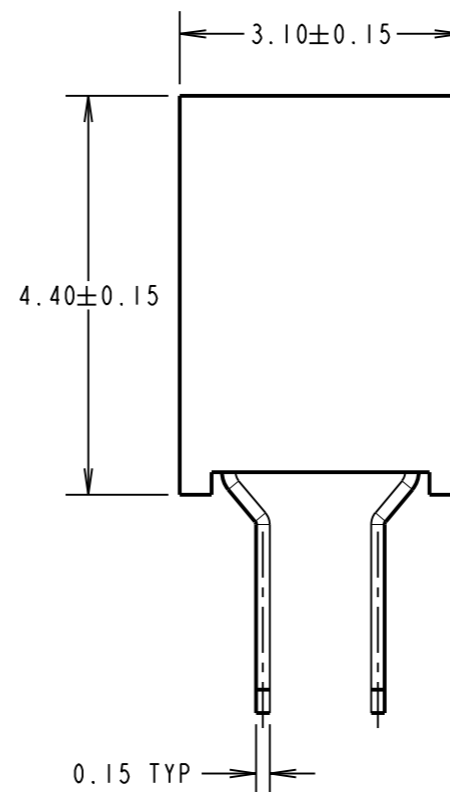
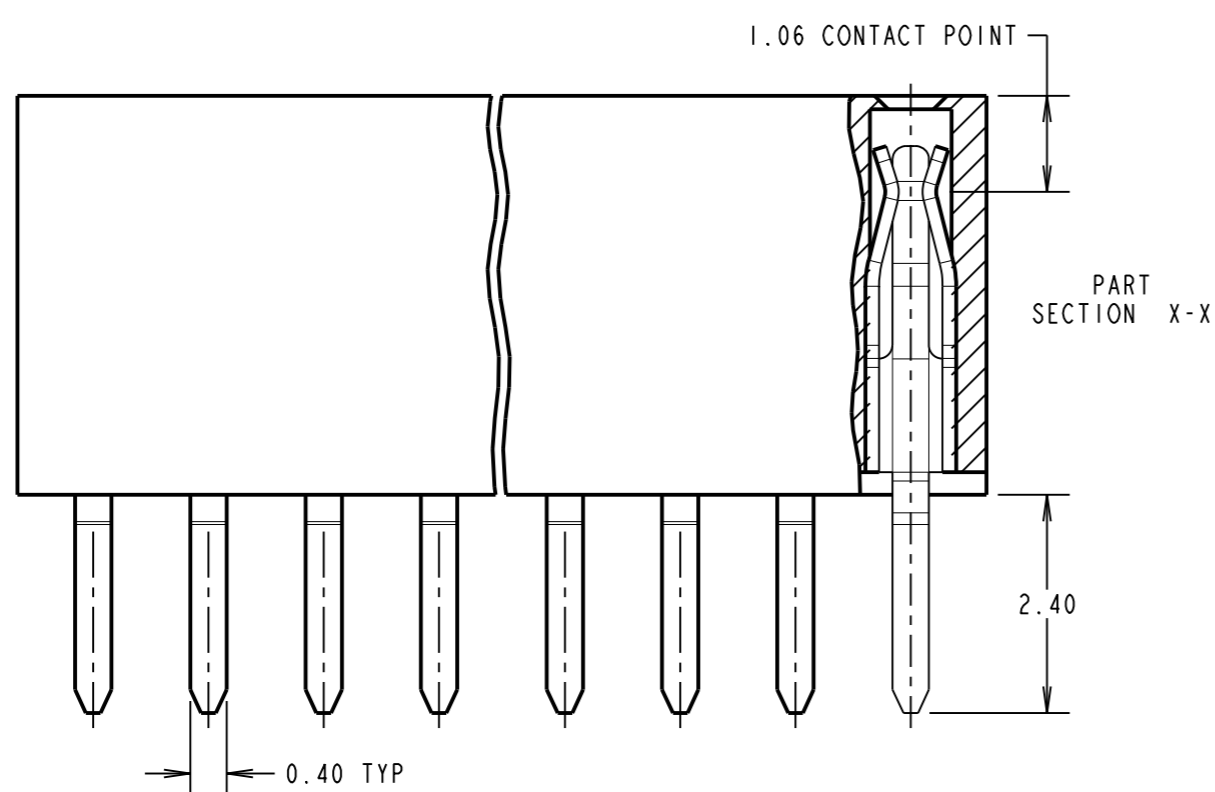
NOT TO SCALE

THIRD ANGLE PROJECTION

ALL DIMENSIONS IN mm



SPECIFICATIONS:
MATERIAL:
 MOULDING = NYLON 6T, UL94V-0, BLACK
 CONTACT = PHOSPHOR BRONZE
FINISH:
 45 = GOLD OVER NICKEL
ELECTRICAL:
 CURRENT RATING = 1A
 VOLTAGE PROOF = 1000V AC_{rms}/DC
 CONTACT RESISTANCE = $20\text{m}\Omega$ MAX
 INSULATION RESISTANCE = 1,000 $\text{M}\Omega$ MIN
MECHANICAL:
 DURABILITY = 300 CYCLES MIN
 CONTACT INSERTION FORCE = 1.50N MAX
 CONTACT WITHDRAWAL FORCE = 0.10N MIN
ENVIRONMENTAL:
 OPERATING TEMPERATURE = -40°C TO $+105^\circ\text{C}$
PACKING:
 TUBE
 FOR COMPLETE SPECIFICATION, SEE COMPONENT SPECIFICATION C029XX (LATEST ISSUE)



ORDER CODE:
M50-300XX45
 No. OF CONTACTS PER ROW: _____
 03 TO 50
 FINISH: _____
 45 = GOLD FLASH OVER NICKEL

NOTES:
 1. ALL TOLERANCES ARE ± 0.25 UNLESS OTHERWISE STATED

SB	12	15.01.13	11828
NAME	ISS.	DATE	C/NOTE
APPROVED:		S.BENNETT	
CHECKED:		S.FLOWER	
DRAWN:		W.J.BOURNE	
CUSTOMER REF.:			
ASSEMBLY DRG:			

HARWIN

www.harwin.com
technical@harwin.com

THIS DRAWING AND ANY INFORMATION OR DESCRIPTIVE MATTER SET OUT HEREON ARE CONFIDENTIAL AND COPYRIGHT PROPERTY OF THE HARWIN GROUP AND MUST NOT BE DISCLOSED, LOANED, COPIED OR USED FOR MANUFACTURING, TENDERING OR FOR ANY OTHER PURPOSE WITHOUT THEIR WRITTEN PERMISSION.

TOLERANCES
~~X. = $\pm 1\text{mm}$~~
~~X.X = $\pm 0.25\text{mm}$~~
~~X.XX = $\pm 0.10\text{mm}$~~
~~X.XXX = $\pm 0.01\text{mm}$~~
 ANGLES = $\pm 5^\circ$
 UNLESS STATED

MATERIAL:
 SEE ABOVE
FINISH: SEE ABOVE
S/AREA: mm²

TITLE:
 1.27mm PITCH DIL VERTICAL SOCKET ASSY

DRAWING NUMBER:
M50-300XX45

SHT
 3 OF 3