



Chipsmall Limited consists of a professional team with an average of over 10 year of expertise in the distribution of electronic components. Based in Hongkong, we have already established firm and mutual-benefit business relationships with customers from,Europe,America and south Asia,supplying obsolete and hard-to-find components to meet their specific needs.

With the principle of “Quality Parts,Customers Priority,Honest Operation,and Considerate Service”,our business mainly focus on the distribution of electronic components. Line cards we deal with include Microchip,ALPS,ROHM,Xilinx,Pulse,ON,Everlight and Freescale. Main products comprise IC,Modules,Potentiometer,IC Socket,Relay,Connector.Our parts cover such applications as commercial,industrial, and automotives areas.

We are looking forward to setting up business relationship with you and hope to provide you with the best service and solution. Let us make a better world for our industry!



Contact us

Tel: +86-755-8981 8866 Fax: +86-755-8427 6832

Email & Skype: info@chipsmall.com Web: www.chipsmall.com

Address: A1208, Overseas Decoration Building, #122 Zhenhua RD., Futian, Shenzhen, China



Customer Information Sheet

DRAWING No.: M50-311XX42

SHEET 2 OF 2

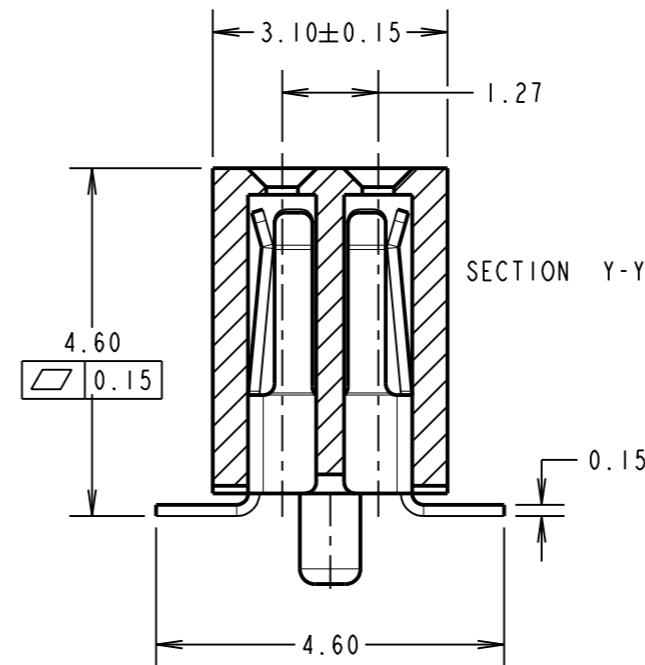
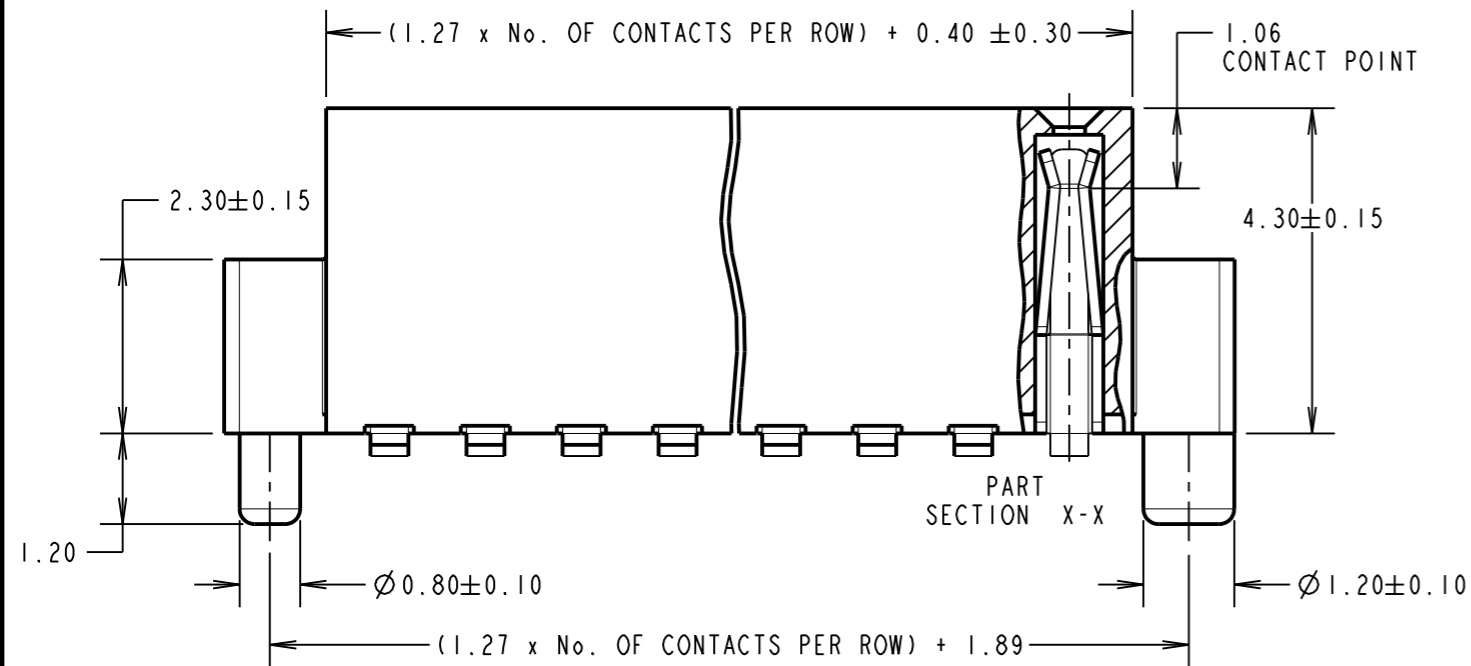
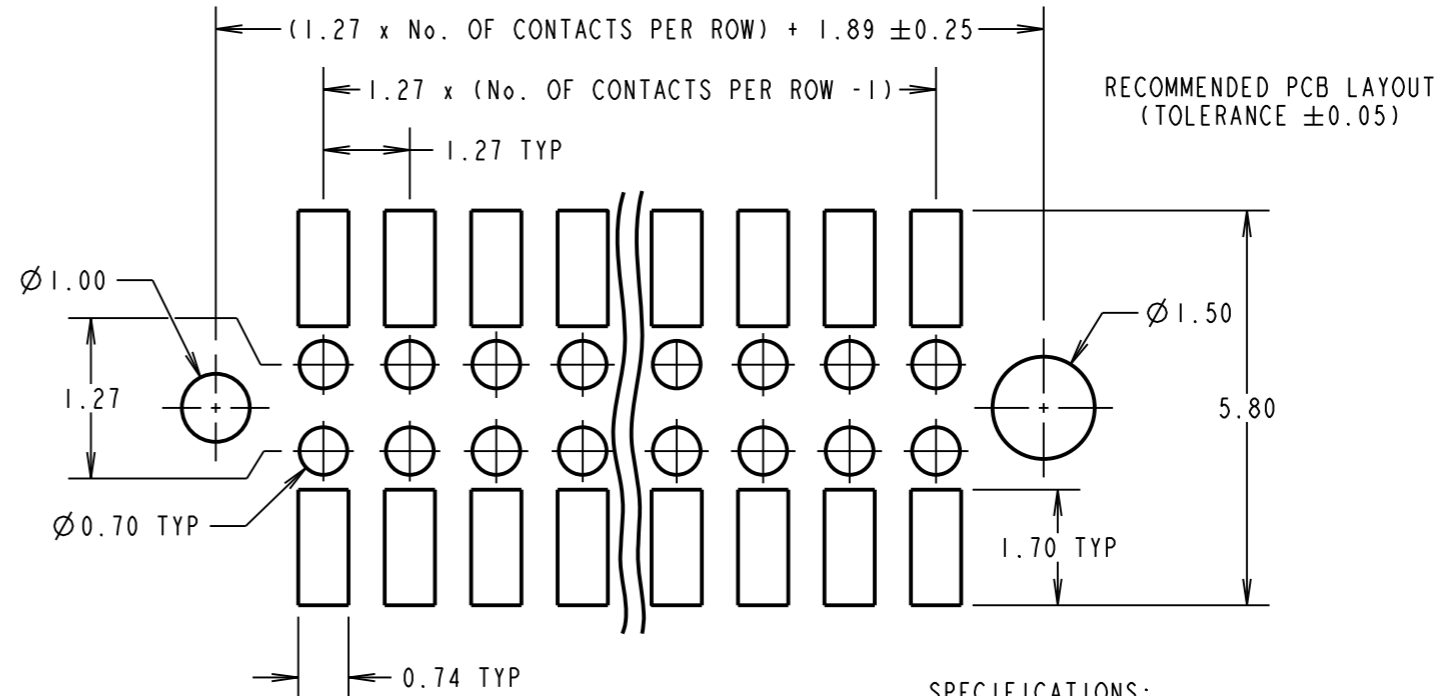
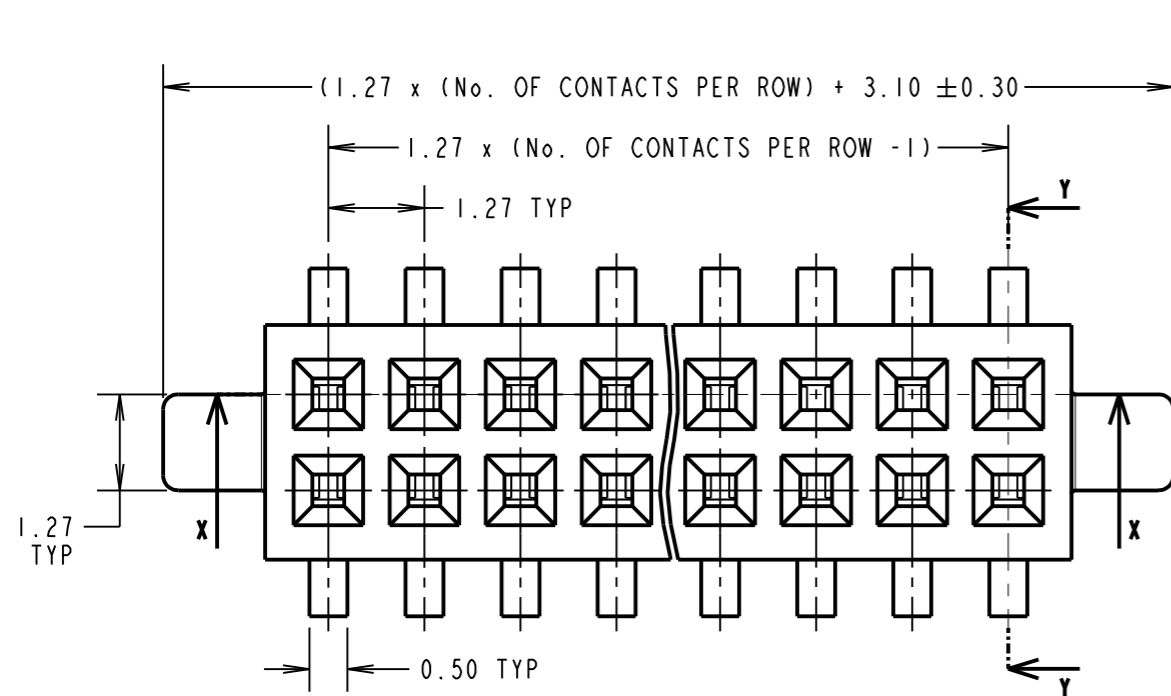
IF IN DOUBT - ASK

©

NOT TO SCALE

THIRD ANGLE PROJECTION

ALL DIMENSIONS IN mm



SPECIFICATIONS:
MATERIAL:
 MOULDING = PA9T, UL94V-0, BLACK
 CONTACT = PHOSPHOR BRONZE
FINISH:
 CONTACT = NICKEL ALL OVER,
 GOLD FLASH ON CONTACT AREA,
 100% TIN ON TAILS
ELECTRICAL:
 CURRENT RATING = 1A
 VOLTAGE PROOF = 500V AC FOR ONE MINUTE
 CONTACT RESISTANCE = $20m\Omega$ MAX INITIAL,
 $30m\Omega$ MAX AFTER CONDITIONING
 INSULATION RESISTANCE = $1,000M\Omega$ MIN
 VOLTAGE PROOF = 500V AC/DC
MECHANICAL:
 DURABILITY = 300 CYCLES MIN
 INSERTION FORCE = 0.98N MAX PER CONTACT
 WITHDRAWAL FORCE = 0.12N MIN PER CONTACT
ENVIRONMENTAL:
 OPERATING TEMPERATURE = -40°C TO $+105^\circ\text{C}$
PACKING:
 TUBE
 FOR COMPLETE SPECIFICATION, SEE COMPONENT SPECIFICATION C029XX (LATEST ISSUE)

ORDER CODE:
M50-311XX42
 No. OF CONTACTS PER ROW: 03 TO 50
 FINISH: GOLD FLASH ON CONTACTS,
 100 %TIN ON TAIL

HARWIN
 www.harwin.com
 technical@harwin.com

THIS DRAWING AND ANY INFORMATION OR DESCRIPTIVE MATTER SET OUT HEREON ARE CONFIDENTIAL AND COPYRIGHT PROPERTY OF THE HARWIN GROUP AND MUST NOT BE DISCLOSED, LOANED, COPIED OR USED FOR MANUFACTURING, TENDERING OR FOR ANY OTHER PURPOSE WITHOUT THEIR WRITTEN PERMISSION.

TOLERANCES
 $X = \pm 1\text{mm}$
 $X.X = \pm 0.50\text{mm}$
 $X.XX = \pm 0.10\text{mm}$
 $X.XXX = \pm 0.01\text{mm}$
 ANGLES = $\pm 5^\circ$
 UNLESS STATED

MATERIAL: SEE ABOVE
FINISH: SEE ABOVE
S/AREA: mm²

TITLE: 1.27mm PITCH DIL VERTICAL SMT SOCKET ASSY WITH POSTS
DRAWING NUMBER: M50-311XX42
 SHT 2 OF 2

SB	9	31.05.16	13323
NAME	ISS.	DATE	C/NOTE
APPROVED:		S.BENNETT	
CHECKED:		M.PERREN	
DRAWN:		S.BENNETT	
CUSTOMER REF.:			
ASSEMBLY DRG:			

NOTES:
 1. ALL TOLERANCES ARE ± 0.25 UNLESS OTHERWISE STATED.