



Chipsmall Limited consists of a professional team with an average of over 10 year of expertise in the distribution of electronic components. Based in Hongkong, we have already established firm and mutual-benefit business relationships with customers from,Europe,America and south Asia,supplying obsolete and hard-to-find components to meet their specific needs.

With the principle of "Quality Parts,Customers Priority,Honest Operation,and Considerate Service",our business mainly focus on the distribution of electronic components. Line cards we deal with include Microchip,ALPS,ROHM,Xilinx,Pulse,ON,Everlight and Freescale. Main products comprise IC,Modules,Potentiometer,IC Socket,Relay,Connector.Our parts cover such applications as commercial,industrial, and automotives areas.

We are looking forward to setting up business relationship with you and hope to provide you with the best service and solution. Let us make a better world for our industry!



Contact us

Tel: +86-755-8981 8866 Fax: +86-755-8427 6832

Email & Skype: info@chipsmall.com Web: www.chipsmall.com

Address: A1208, Overseas Decoration Building, #122 Zhenhua RD., Futian, Shenzhen, China



Customer Information Sheet

DRAWING No.: M50-313XX45X

SHEET 3 OF 4

IF IN DOUBT - ASK

©

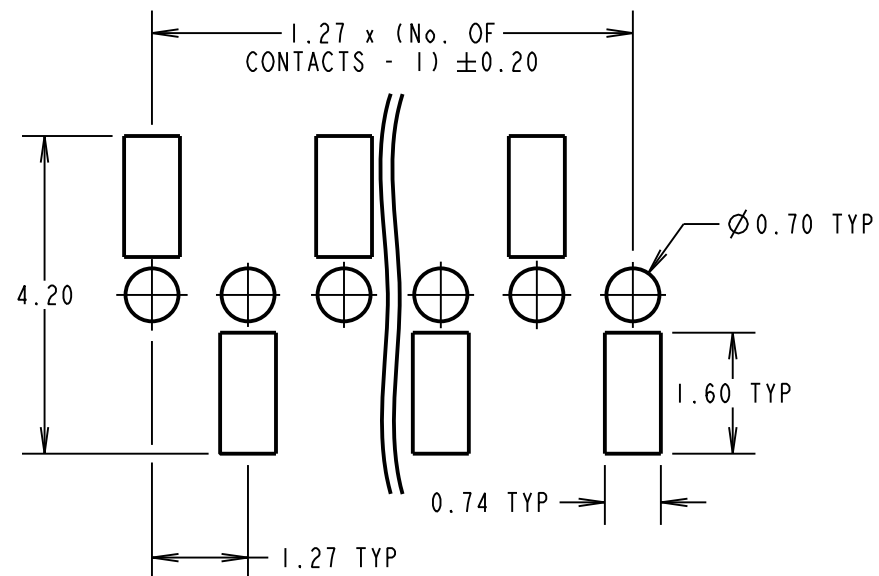
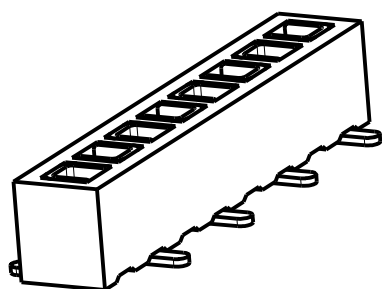
NOT TO SCALE

THIRD ANGLE PROJECTION

ALL DIMENSIONS IN mm

RECOMMENDED PCB LAYOUT
(TOLERANCE = ± 0.05)

NOTES:
1. FOR TAPE AND REEL DETAILS, SEE SHEET 4.

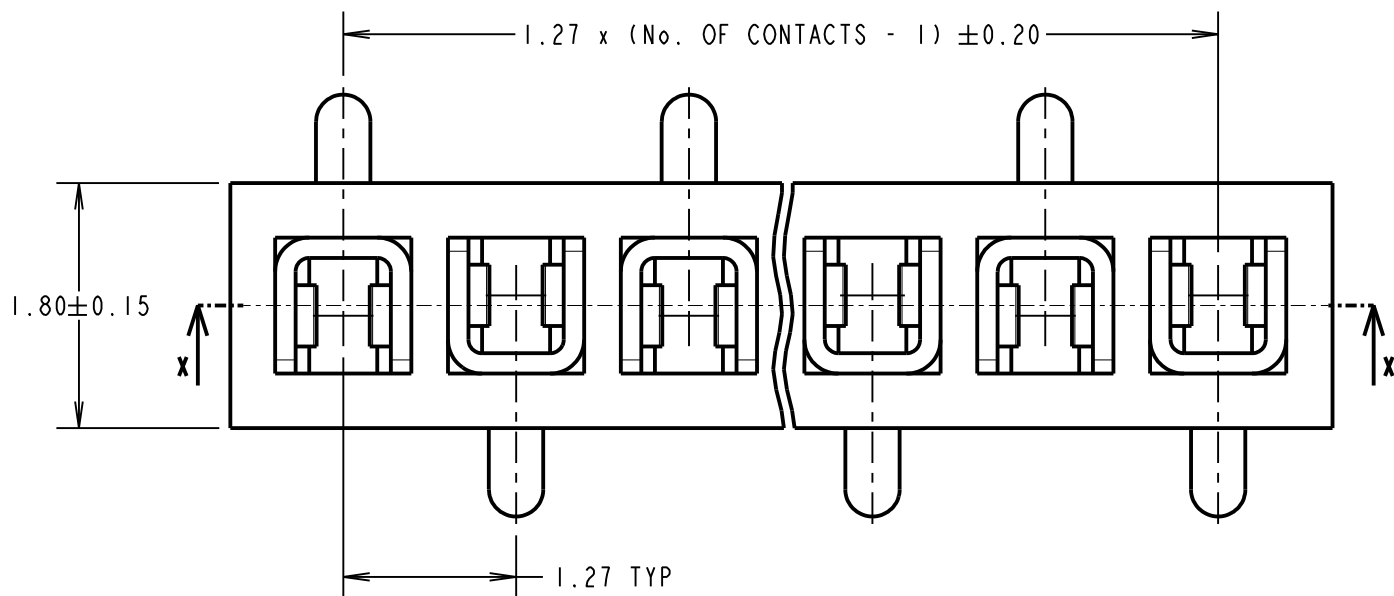


ORDER CODE:

M50-313XX45X

No. OF CONTACTS: _____
02 TO 06, 08, 10, 20

PACKING: _____
BLANK = TUBE
R = TAPE AND REELED (SHEET 4)



SPECIFICATIONS:

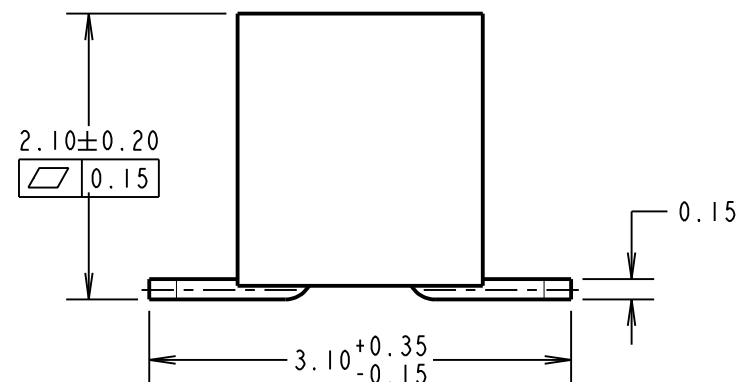
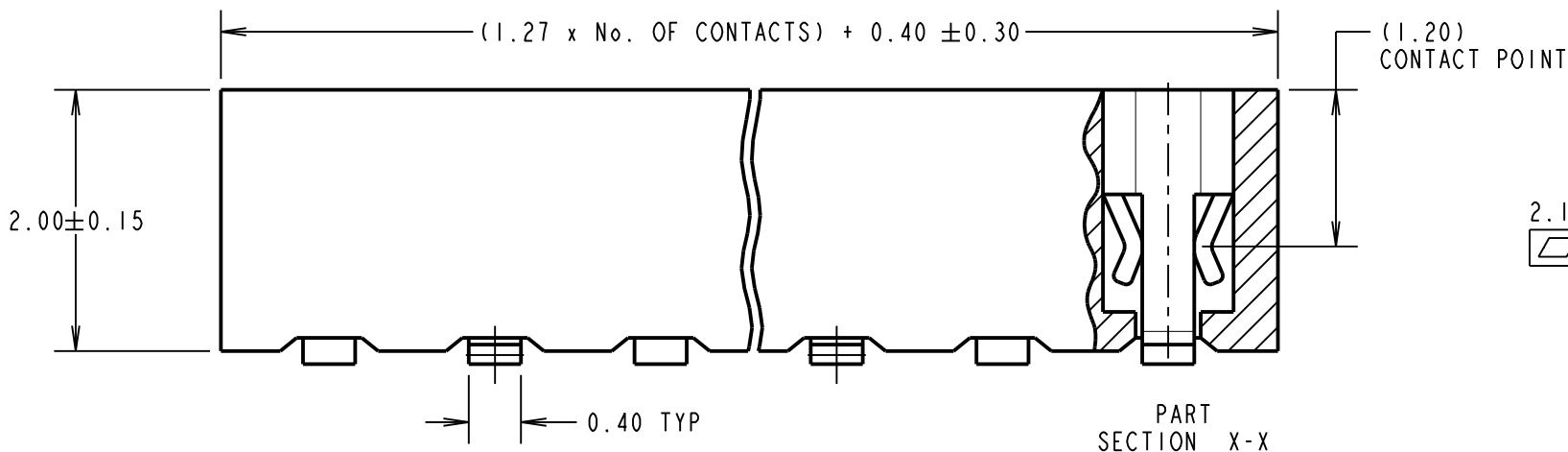
MATERIAL:
MOULDING = PA9T, UL94V-0, BLACK
CONTACT = PHOSPHOR BRONZE
FINISH = 0.012 μ MIN GOLD, OVER
0.76 μ - 1.52 μ NICKEL

ELECTRICAL:
CURRENT RATING = 1A
DIELECTRIC VOLTAGE = 500V AC FOR ONE MINUTE
CONTACT RESISTANCE = 20m Ω MAX
INSULATION RESISTANCE = 1000M Ω MIN

MECHANICAL:
DURABILITY = 300 CYCLES MIN
INSERTION FORCE = 1.18N MAX PER CONTACT
WITHDRAWAL FORCE = 0.19N MIN PER CONTACT

ENVIRONMENTAL:
OPERATING TEMPERATURE = -40°C TO +105°C

PACKING:
TUBE (02 CONTACT SIZE PACKED IN BOX)
FOR COMPLETE SPECIFICATIONS, SEE COMPONENT SPECIFICATION C029XX (LATEST ISSUE)



MS	2	25.11.16	20154
NAME	ISS.	DATE	C/NOTE
APPROVED:		M. PERREN	
CHECKED:		S. BENNETT	
DRAWN:		S. BENNETT	
CUSTOMER REF.:			
ASSEMBLY DRG:			

HARWIN

www.harwin.com
technical@harwin.com

THIS DRAWING AND ANY INFORMATION OR DESCRIPTIVE MATTER SET OUT HEREON ARE CONFIDENTIAL AND COPYRIGHT PROPERTY OF THE HARWIN GROUP AND MUST NOT BE DISCLOSED, LOANED, COPIED OR USED FOR MANUFACTURING, TENDERING OR FOR ANY OTHER PURPOSE WITHOUT THEIR WRITTEN PERMISSION.

TOLERANCES
X. = ± 1 mm
X.X = ± 0.25 mm
X.XX = ± 0.10 mm
X.XXX = ± 0.01 mm
ANGLES = $\pm 5^\circ$
UNLESS STATED

MATERIAL:
SEE ABOVE

FINISH:
SEE ABOVE

S/AREA:
mm²

TITLE:
1.27mm PITCH, SIL VERTICAL DUAL ENTRY SOCKET

DRAWING NUMBER:
M50-313XX45X

SHT
3
OF
4

Customer Information Sheet

DRAWING No.: M50-313XX45X

SHEET 4 OF 4

IF IN DOUBT - ASK

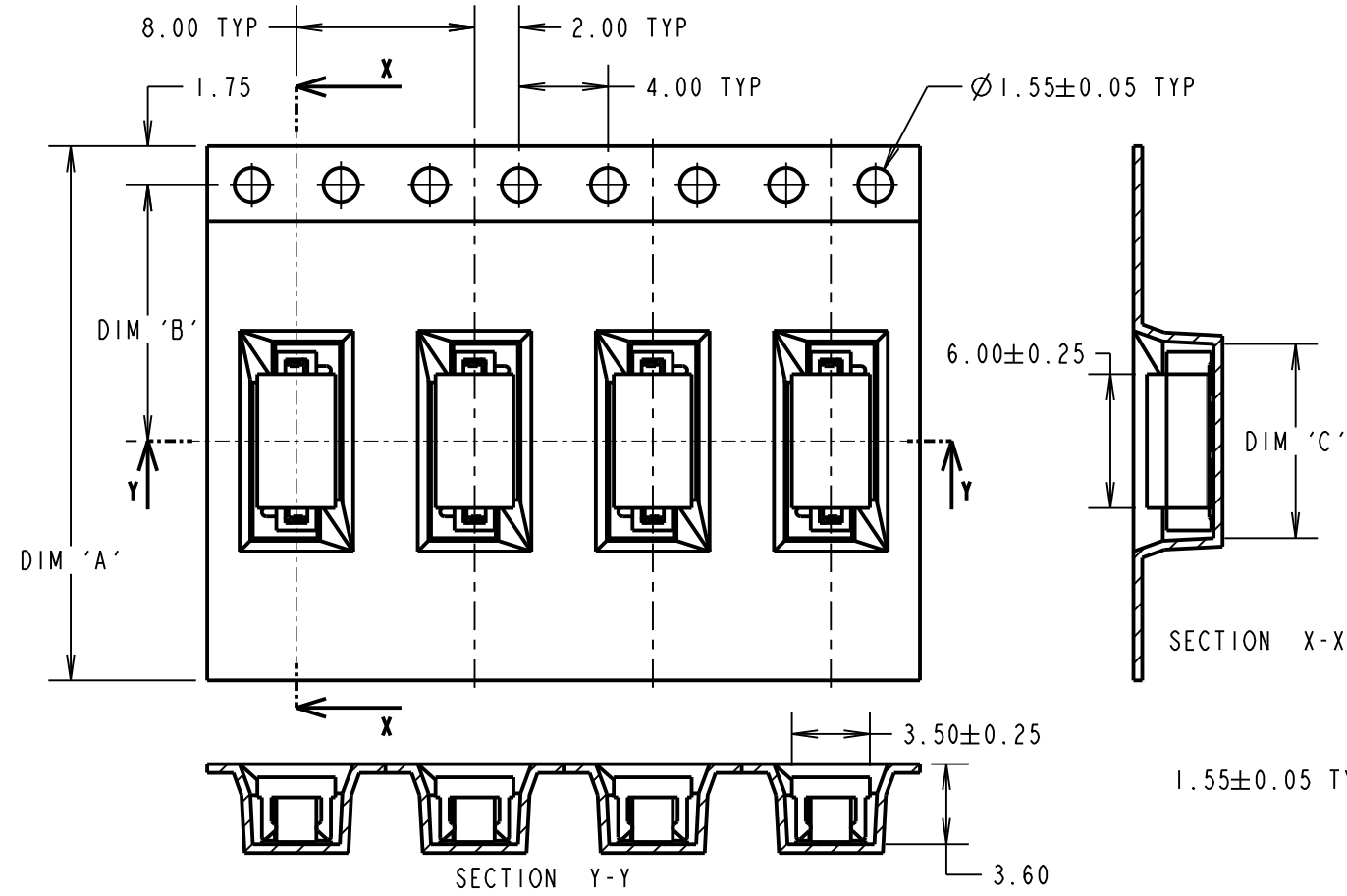
©

NOT TO SCALE

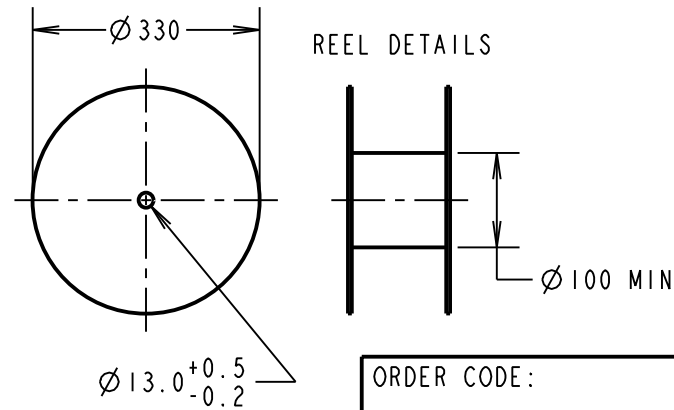
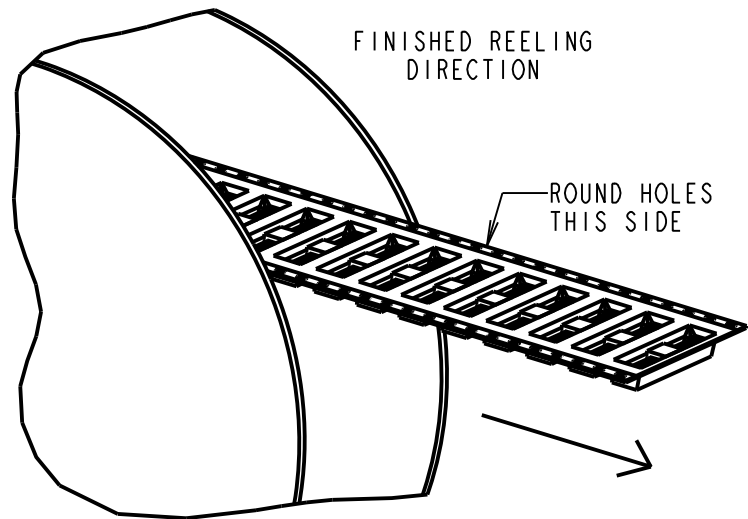
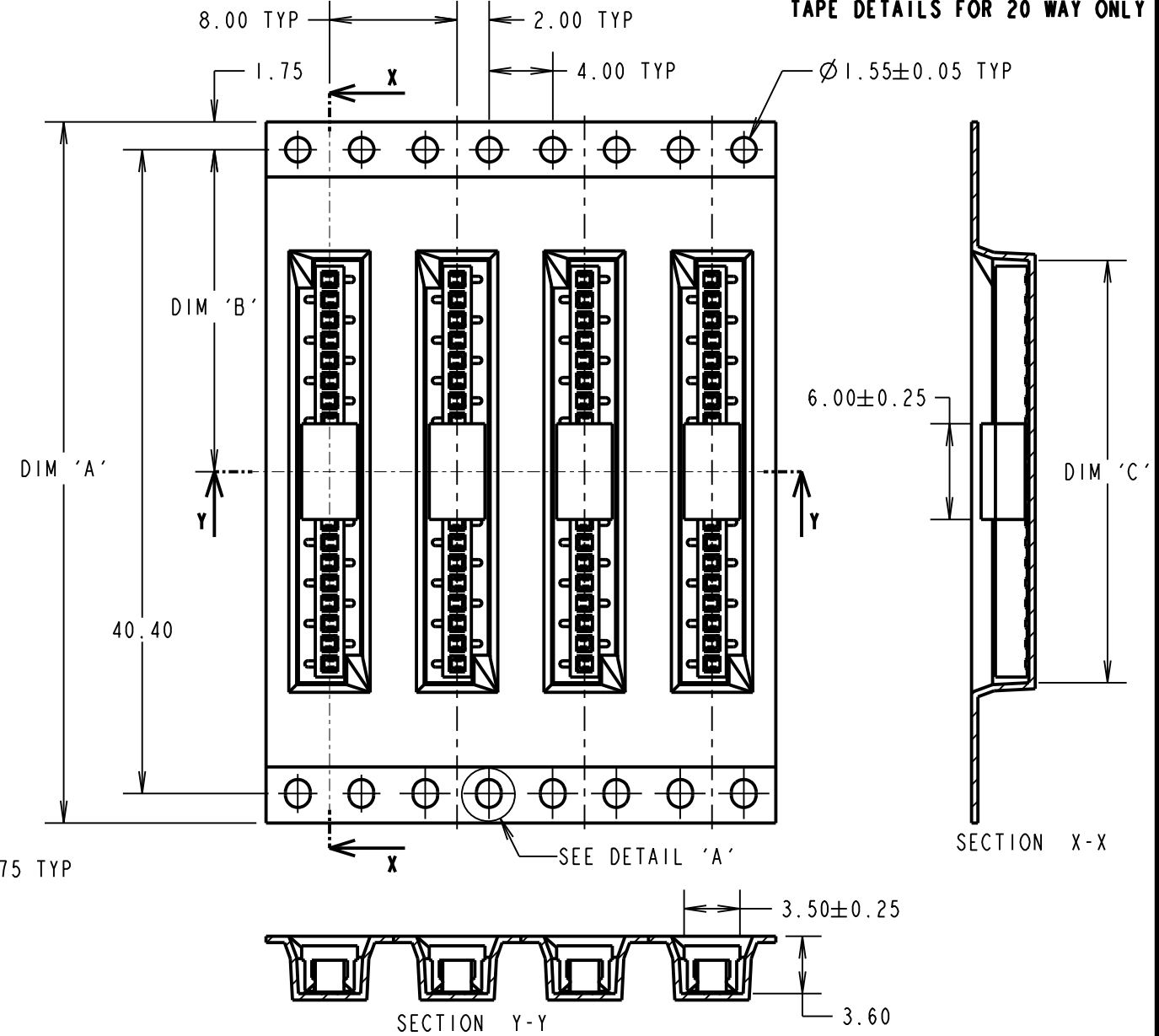
THIRD ANGLE PROJECTION

ALL DIMENSIONS IN mm

TAPE DETAILS FOR 02 TO 06, 08 & 10 WAYS ONLY



TAPE DETAILS FOR 20 WAY ONLY



ORDER CODE:
M50-313XX45X
 No. OF CONTACTS: _____
 02 TO 06, 08, 10, 20
 PACKING: _____
 BLANK = TUBE (SHEET 3)
 R = TAPE AND REELED

PART No.	DIMENSION			REEL QUANTITY
	DIM 'A'	DIM 'B'	DIM 'C'	
M50-3130242R	16.00±0.30	7.50	6.40	2000
M50-3130342R			7.15	
M50-3130442R			8.42	
M50-3130542R	24.00±0.30	11.50	10.96	
M50-3130642R			13.50	
M50-3130842R			26.20	
M50-3131042R	44.00±0.30	20.20±0.15	26.20	

MS	2	25.11.16	20154
NAME	ISS.	DATE	C/NOTE
APPROVED:		M.PERREN	
CHECKED:		S.BENNETT	
DRAWN:		S.BENNETT	
CUSTOMER REF.:			
ASSEMBLY DRG:			

NOTES:
 1. FOR CONNECTOR DETAILS AND SPECIFICATIONS, SEE SHEET 3.
 2. PRODUCT IS TAPE AND REELED IN GENERAL ACCORDANCE WITH EIA-481 (ELECTRAL INDUSTRIES ASSOCIATION).

HARWIN

www.harwin.com
 technical@harwin.com

THIS DRAWING AND ANY INFORMATION OR DESCRIPTIVE MATTER SET OUT HEREON ARE CONFIDENTIAL AND COPYRIGHT PROPERTY OF THE HARWIN GROUP AND MUST NOT BE DISCLOSED, LOANED, COPIED OR USED FOR MANUFACTURING, TENDERING OR FOR ANY OTHER PURPOSE WITHOUT THEIR WRITTEN PERMISSION.

TOLERANCES
 X. = ±1mm
 X.X = ±0.25mm
 X.XX = ±0.10mm
 X.XXX = ±0.01mm
 ANGLES = ±5°
 UNLESS STATED

MATERIAL:
 SEE ABOVE
 FINISH: SEE ABOVE
 S/AREA: mm²

TITLE:
 1.27mm PITCH, SIL VERTICAL DUAL ENTRY SOCKET
 DRAWING NUMBER:
M50-313XX45X