



Chipsmall Limited consists of a professional team with an average of over 10 year of expertise in the distribution of electronic components. Based in Hongkong, we have already established firm and mutual-benefit business relationships with customers from,Europe,America and south Asia,supplying obsolete and hard-to-find components to meet their specific needs.

With the principle of “Quality Parts,Customers Priority,Honest Operation,and Considerate Service”,our business mainly focus on the distribution of electronic components. Line cards we deal with include Microchip,ALPS,ROHM,Xilinx,Pulse,ON,Everlight and Freescale. Main products comprise IC,Modules,Potentiometer,IC Socket,Relay,Connector.Our parts cover such applications as commercial,industrial, and automotives areas.

We are looking forward to setting up business relationship with you and hope to provide you with the best service and solution. Let us make a better world for our industry!



## Contact us

Tel: +86-755-8981 8866 Fax: +86-755-8427 6832

Email & Skype: info@chipsmall.com Web: www.chipsmall.com

Address: A1208, Overseas Decoration Building, #122 Zhenhua RD., Futian, Shenzhen, China



# Customer Information Sheet

DRAWING No.: M50-314XX45X

SHEET 3 OF 4

IF IN DOUBT - ASK

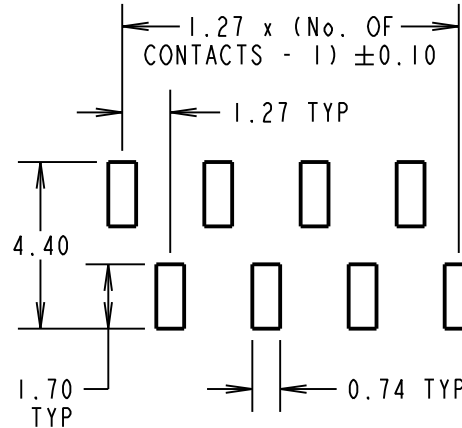
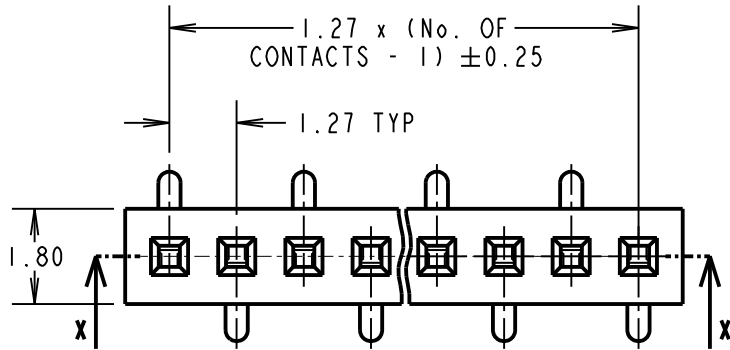
(C)

NOT TO SCALE

THIRD ANGLE PROJECTION

ALL DIMENSIONS IN mm

RECOMMENDED PCB LAYOUT  
(TOLERANCE =  $\pm 0.05$ )



SPECIFICATIONS:

MATERIAL:

MOULDING = PA9T, UL94V-0, BLACK

CONTACT = PHOSPHOR BRONZE

FINISH = 0.012  $\mu$  MIN GOLD, OVER  
0.76  $\mu$  - 1.52  $\mu$  NICKEL

ELECTRICAL:

CURRENT RATING = 1A

DIELECTRIC VOLTAGE = 500V AC FOR ONE MINUTE

CONTACT RESISTANCE = 20m $\Omega$  MAX

INSULATION RESISTANCE = 1000M $\Omega$  MIN

MECHANICAL:

DURABILITY = 300 CYCLES MIN

INSERTION FORCE = 1.17N MAX PER CONTACT

WITHDRAWAL FORCE = 0.19N MIN PER CONTACT

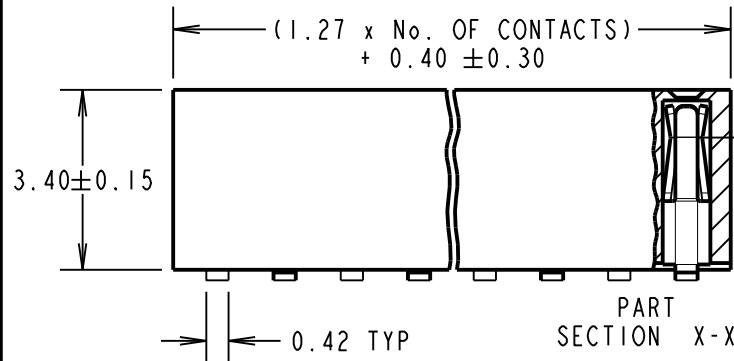
ENVIRONMENTAL:

OPERATING TEMPERATURE = -40°C - +105°C

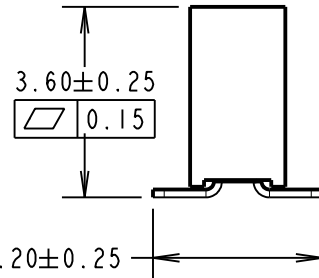
PACKING:

TUBE (02 CONTACT SIZE PACKED IN BOX)

FOR COMPLETE SPECIFICATIONS, SEE COMPONENT SPECIFICATION C029XX (LATEST ISSUE)



(0.90)  
CONTACT POINT



0.15

ORDER CODE:

**M50-314XX45X**

No. OF CONTACTS: \_\_\_\_\_  
02 TO 06, 08, 10, 20

PACKING: \_\_\_\_\_

BLANK = TUBE

R = TAPE AND REEL (SHEET 4)

MS	2	25.11.16	20154
NAME	ISS.	DATE	C/NOTE
APPROVED: M.PERREN			
CHECKED: S.BENNETT			
DRAWN: S.BENNETT			
CUSTOMER REF.:			
ASSEMBLY DRG:			

NOTES:  
1. FOR TAPE AND REEL DETAILS, SEE SHEET 4.

**HARWIN**

www.harwin.com  
technical@harwin.com

THIS DRAWING AND ANY INFORMATION OR DESCRIPTIVE MATTER SET OUT HEREON ARE CONFIDENTIAL AND COPYRIGHT PROPERTY OF THE HARWIN GROUP AND MUST NOT BE DISCLOSED, LOANED, COPIED OR USED FOR MANUFACTURING, TENDERING OR FOR ANY OTHER PURPOSE WITHOUT THEIR WRITTEN PERMISSION.

TOLERANCES  
X. =  $\pm 1$ mm  
X.X =  $\pm 0.50$ mm  
X.XX =  $\pm 0.10$ mm  
X.XXX =  $\pm 0.01$ mm  
ANGLES =  $\pm 5^\circ$   
UNLESS STATED

MATERIAL:  
SEE ABOVE  
FINISH: SEE ABOVE  
S/AREA: mm<sup>2</sup>

TITLE:  
1.27mm PITCH, SIL VERTICAL SMT SOCKET  
DRAWING NUMBER:  
**M50-314XX45X**

SHT  
3  
OF  
4

# Customer Information Sheet

DRAWING No.: M50-314XX45X

SHEET 4 OF 4

IF IN DOUBT - ASK

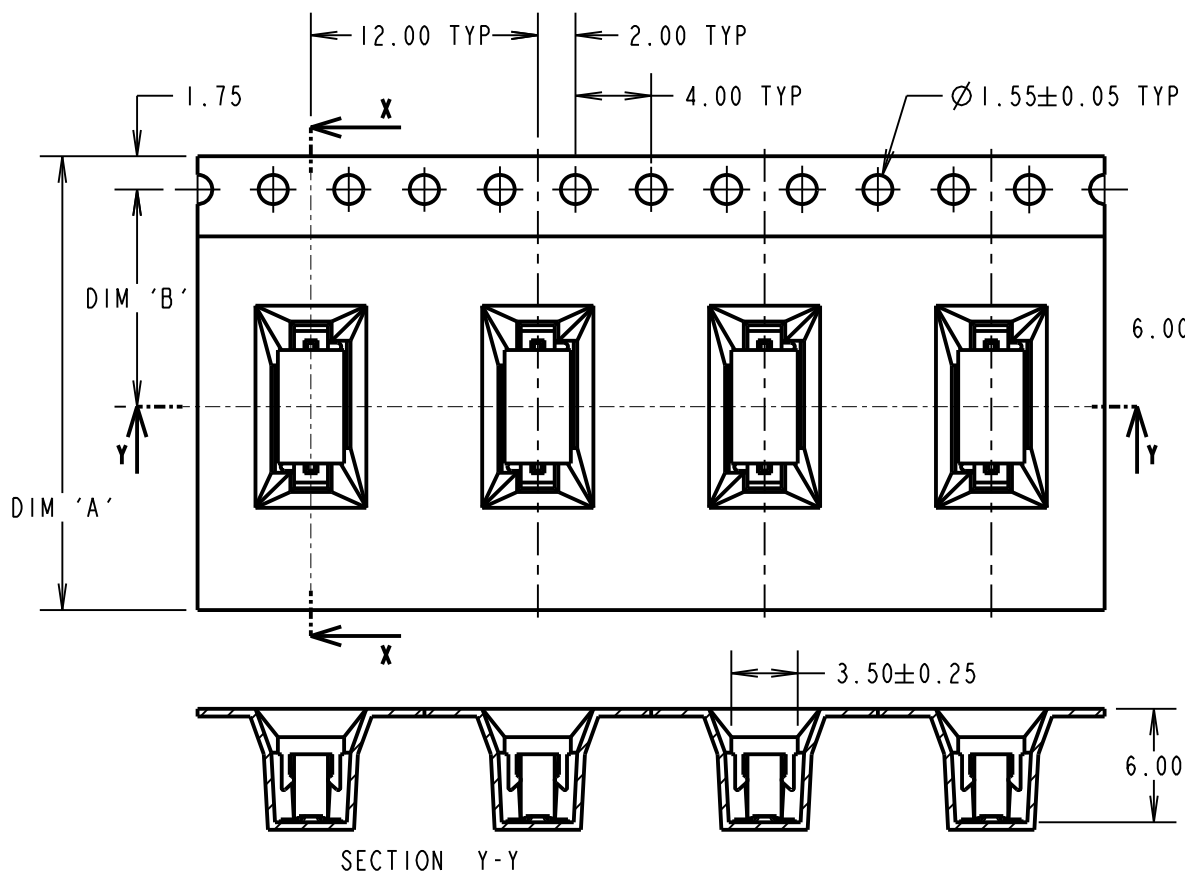
©

NOT TO SCALE

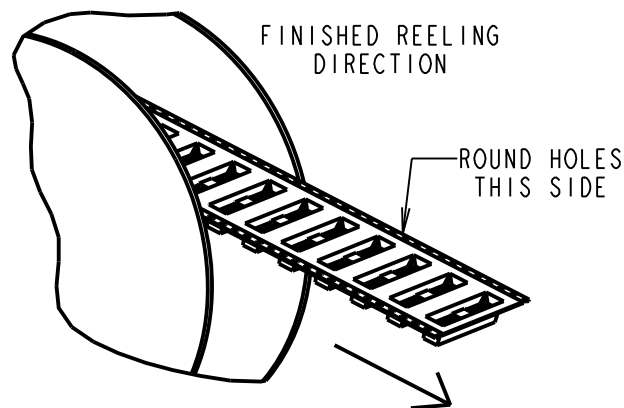
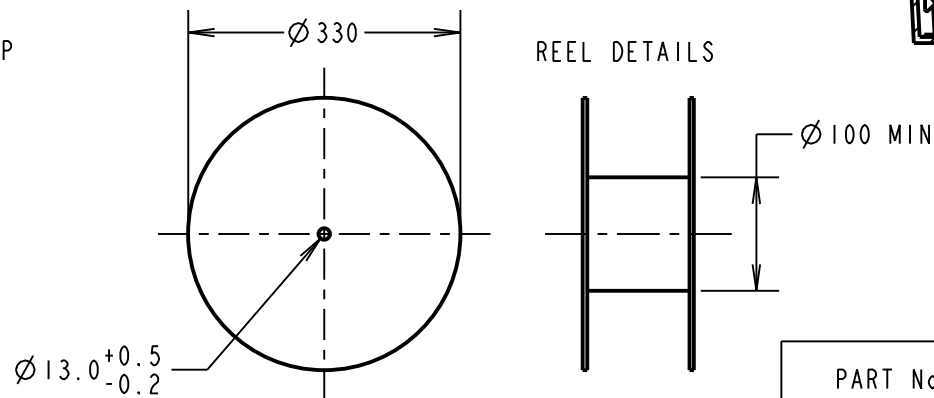
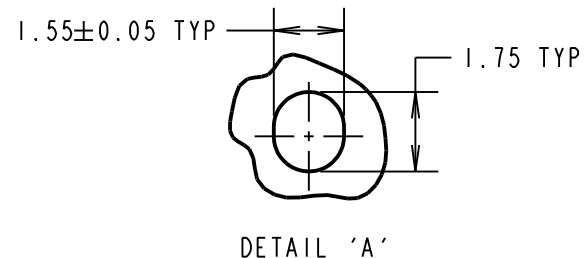
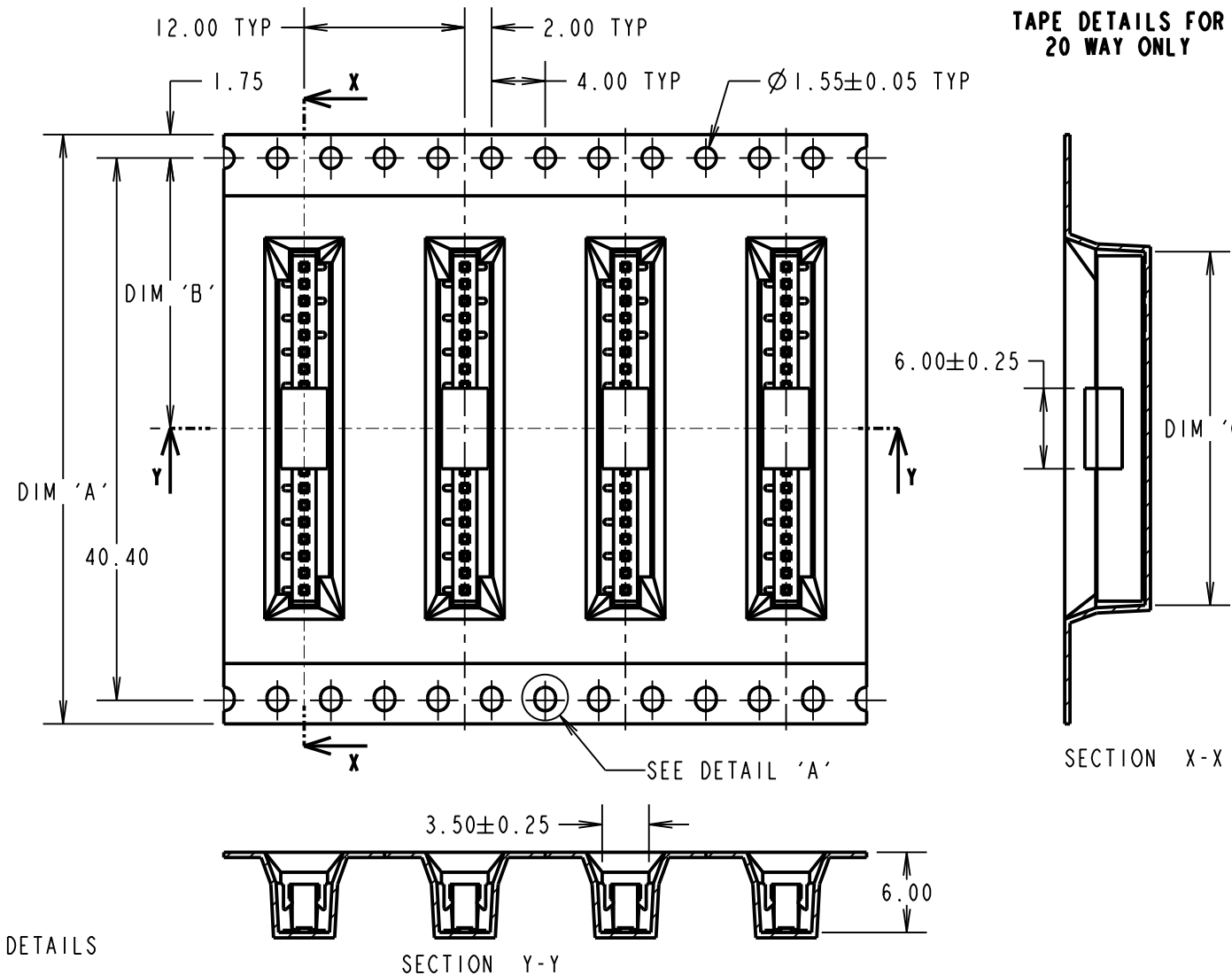
THIRD ANGLE PROJECTION

ALL DIMENSIONS IN mm

**TAPE DETAILS FOR  
02 TO 06, 08 & 10 WAYS ONLY**



**TAPE DETAILS FOR  
20 WAY ONLY**



ORDER CODE:  
**M50-314XX45X**

No. OF CONTACTS: \_\_\_\_\_  
02 TO 06, 08, 10, 20

PACKING: \_\_\_\_\_  
BLANK = TUBE (SHEET 3)  
R = TAPE AND REEL

PART No.	DIMENSION			REEL QUANTITY
	DIM 'A'	DIM 'B'	DIM 'C'	
M50-3140245R	16.00±0.30	7.50	6.60	1000
M50-3140345R			6.40	
M50-3140445R			6.60	
M50-3140545R	24.00±0.30	11.50	7.13	
M50-3140645R			8.42	
M50-3140845R			10.96	
M50-3141045R			13.50	
M50-3142045R	44.00±0.30	20.20±0.15	26.20	

MS	2	25.11.16	20154
NAME	ISS.	DATE	C/NOTE
APPROVED: M.PERREN			
CHECKED: S.BENNETT			
DRAWN: S.BENNETT			
CUSTOMER REF.:			
ASSEMBLY DRG:			

NOTES:  
1. FOR CONNECTOR DETAILS AND SPECIFICATIONS, SEE SHEET 3.  
2. PRODUCT IS TAPE AND REELED IN GENERAL ACCORDANCE WITH EIA-481 (ELECTRAL INDUSTRIES ASSOCIATION).

**HARWIN**

www.harwin.com  
technical@harwin.com

THIS DRAWING AND ANY INFORMATION OR DESCRIPTIVE MATTER SET OUT HEREON ARE CONFIDENTIAL AND COPYRIGHT PROPERTY OF THE HARWIN GROUP AND MUST NOT BE DISCLOSED, LOANED, COPIED OR USED FOR MANUFACTURING, TENDERING OR FOR ANY OTHER PURPOSE WITHOUT THEIR WRITTEN PERMISSION.

TOLERANCES  
X. = ±1mm  
X.X = ±0.25mm  
X.XX = ±0.10mm  
X.XXX = ±0.01mm  
ANGLES = ±5°  
UNLESS STATED

MATERIAL:  
SEE ABOVE  
FINISH: SEE ABOVE  
S/AREA: mm<sup>2</sup>

TITLE:  
1.27mm PITCH, SIL  
VERTICAL SMT SOCKET

DRAWING NUMBER:  
**M50-314XX45X**

SHT  
4  
OF 4