



Chipsmall Limited consists of a professional team with an average of over 10 year of expertise in the distribution of electronic components. Based in Hongkong, we have already established firm and mutual-benefit business relationships with customers from,Europe,America and south Asia,supplying obsolete and hard-to-find components to meet their specific needs.

With the principle of “Quality Parts,Customers Priority,Honest Operation,and Considerate Service”,our business mainly focus on the distribution of electronic components. Line cards we deal with include Microchip,ALPS,ROHM,Xilinx,Pulse,ON,Everlight and Freescale. Main products comprise IC,Modules,Potentiometer,IC Socket,Relay,Connector.Our parts cover such applications as commercial,industrial, and automotives areas.

We are looking forward to setting up business relationship with you and hope to provide you with the best service and solution. Let us make a better world for our industry!



Contact us

Tel: +86-755-8981 8866 Fax: +86-755-8427 6832

Email & Skype: info@chipsmall.com Web: www.chipsmall.com

Address: A1208, Overseas Decoration Building, #122 Zhenhua RD., Futian, Shenzhen, China



Customer Information Sheet

DRAWING No.: M50-315XX42

SHEET 2 OF 2

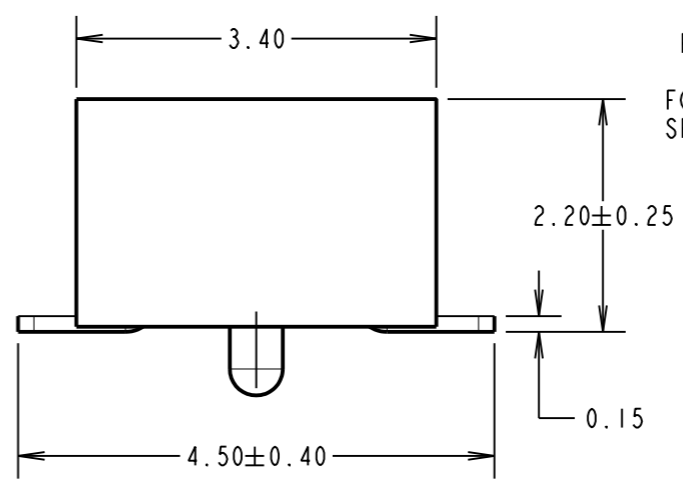
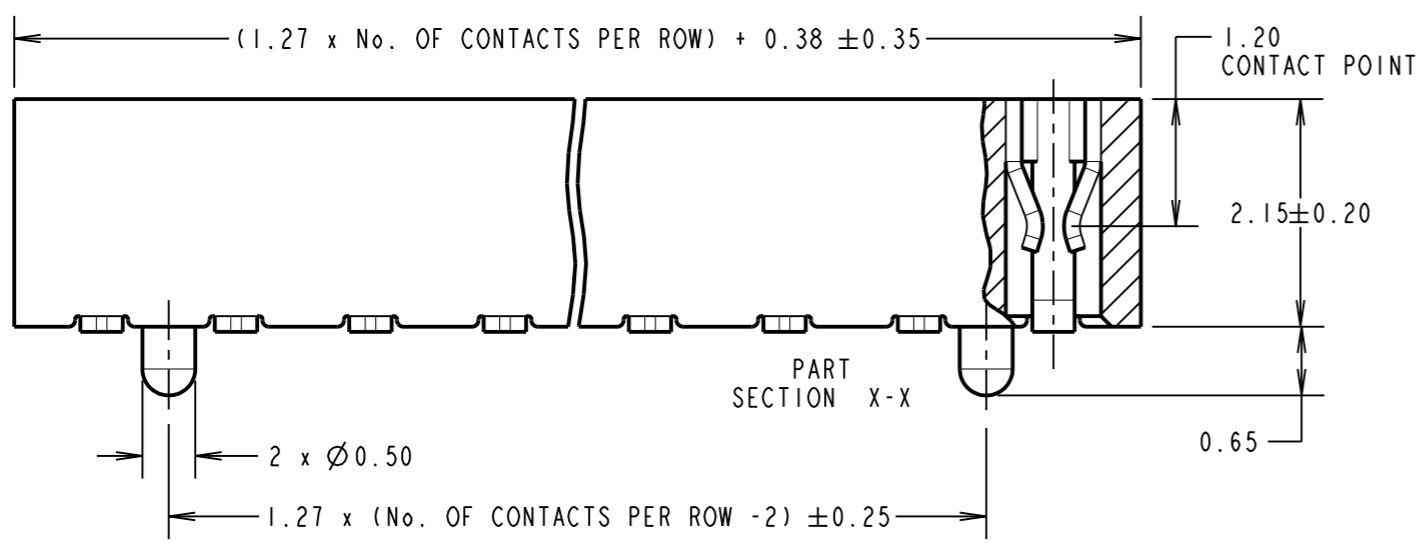
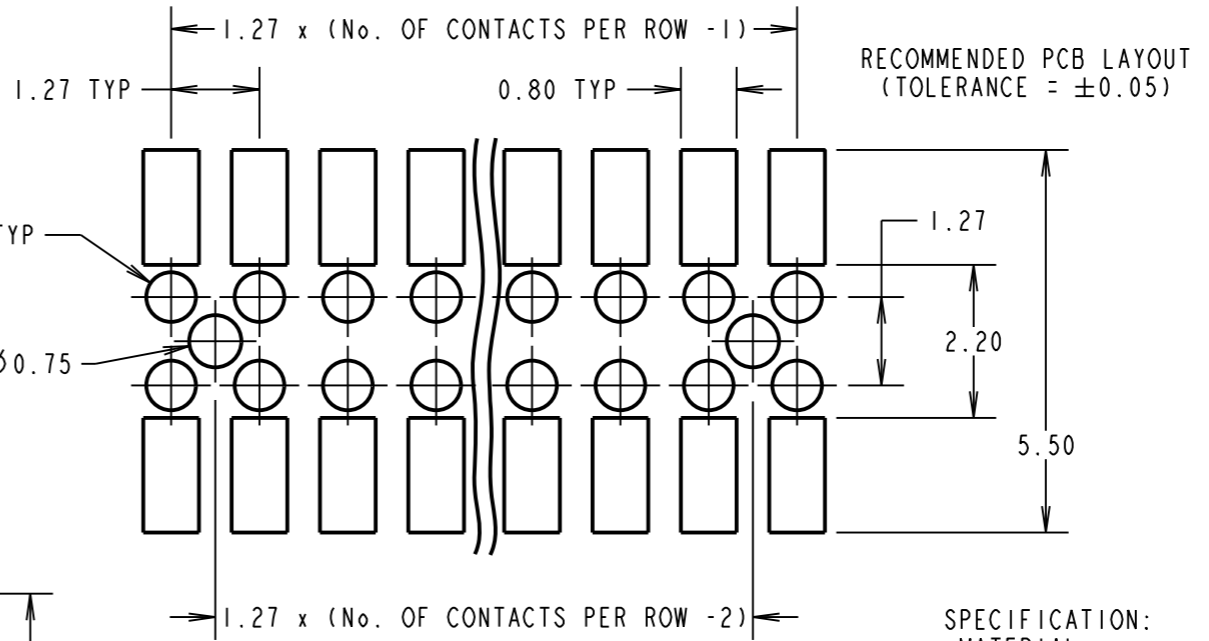
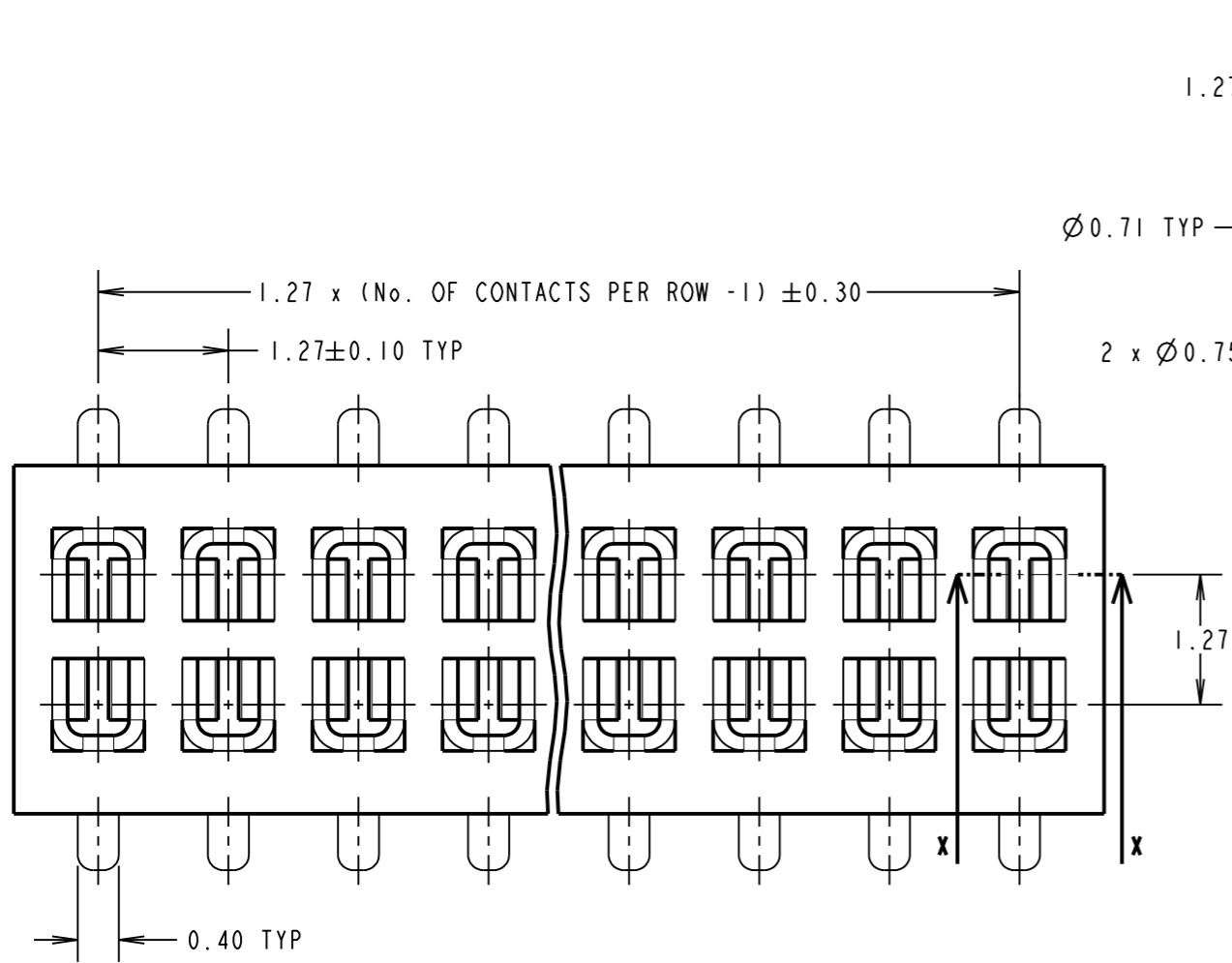
IF IN DOUBT - ASK

(C)

NOT TO SCALE

THIRD ANGLE PROJECTION

ALL DIMENSIONS IN mm



ORDER CODE
M50-315XX42

No. OF CONTACTS PER ROW: _____
03 TO 40

FINISH: _____
42 = GOLD FLASH + 100% TIN OVER NICKEL

SPECIFICATION:
MATERIAL:
 MOULDING = NYLON-6T, UL94V-0, BLACK
 CONTACTS = PHOSPHOR BRONZE
FINISH:
 CONTACTS = 1.27µ NICKEL ALL OVER,
 GOLD FLASH ON CONTACT AREA,
 2.54µ 100% TIN ON TAILS

ELECTRICAL:
 CURRENT RATING = 1A
 CONTACT RESISTANCE = 20mΩ MAX
 INSULATION RESISTANCE = 1000MΩ MIN
 DIELECTRIC WITHSTANDING = 500V AC FOR ONE MINUTE

MECHANICAL:
 DURABILITY = 300 CYCLES MIN
 INSERTION FORCE = 1.5N MAX PER CONTACT
 WITHDRAWAL FORCE = 0.2N MIN PER CONTACT

ENVIRONMENTAL:
 TEMPERATURE RANGE = -40°C TO +105°C

PACKING:
 TUBE

FOR COMPLETE SPECIFICATION, SEE COMPONENT SPECIFICATION C029XX (LATEST ISSUE)

NOTE:
1. ALL TOLERANCES ARE ±0.15 UNLESS OTHERWISE STATED.

HARWIN
www.harwin.com
technical@harwin.com

THIS DRAWING AND ANY INFORMATION OR DESCRIPTIVE MATTER SET OUT HEREON ARE CONFIDENTIAL AND COPYRIGHT PROPERTY OF THE HARWIN GROUP AND MUST NOT BE DISCLOSED, LOANED, COPIED OR USED FOR MANUFACTURING, TENDERING OR FOR ANY OTHER PURPOSE WITHOUT THEIR WRITTEN PERMISSION.

TOLERANCES
 X = ±1mm
 X.X = ±0.50mm
 X.XX = ±0.10mm
 X.XXX = ±0.01mm
 ANGLES = ±5°
 UNLESS STATED

MATERIAL:
SEE ABOVE

FINISH:
SEE ABOVE

S/AREA:
mm²

TITLE:
1.27mm PITCH DIL SMT VERT.
LOW-PROFILE SOCKET ASSY

DRAWING NUMBER:
M50-315XX42

SHT 2 OF 2

MSP	16	08.08.16	13112
NAME	ISS.	DATE	C/NOTE
APPROVED:		M. PERREN	
CHECKED:		S. BENNETT	
DRAWN:		W. J. BOURNE	
CUSTOMER REF.:			
ASSEMBLY DRG:			