



Chipsmall Limited consists of a professional team with an average of over 10 year of expertise in the distribution of electronic components. Based in Hongkong, we have already established firm and mutual-benefit business relationships with customers from,Europe,America and south Asia,supplying obsolete and hard-to-find components to meet their specific needs.

With the principle of “Quality Parts,Customers Priority,Honest Operation,and Considerate Service”,our business mainly focus on the distribution of electronic components. Line cards we deal with include Microchip,ALPS,ROHM,Xilinx,Pulse,ON,Everlight and Freescale. Main products comprise IC,Modules,Potentiometer,IC Socket,Relay,Connector.Our parts cover such applications as commercial,industrial, and automotives areas.

We are looking forward to setting up business relationship with you and hope to provide you with the best service and solution. Let us make a better world for our industry!



## Contact us

Tel: +86-755-8981 8866 Fax: +86-755-8427 6832

Email & Skype: info@chipsmall.com Web: www.chipsmall.com

Address: A1208, Overseas Decoration Building, #122 Zhenhua RD., Futian, Shenzhen, China



# Customer Information Sheet

DRAWING No.: M50-330XX42

SHEET 2 OF 2

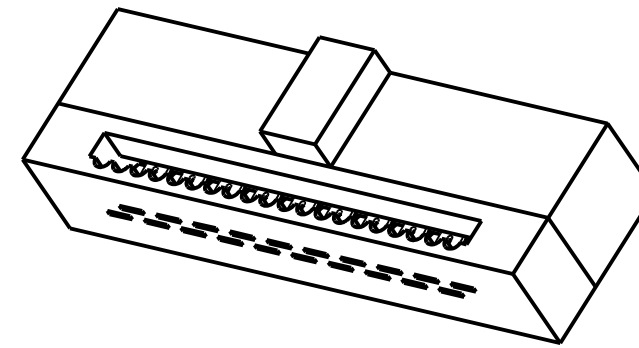
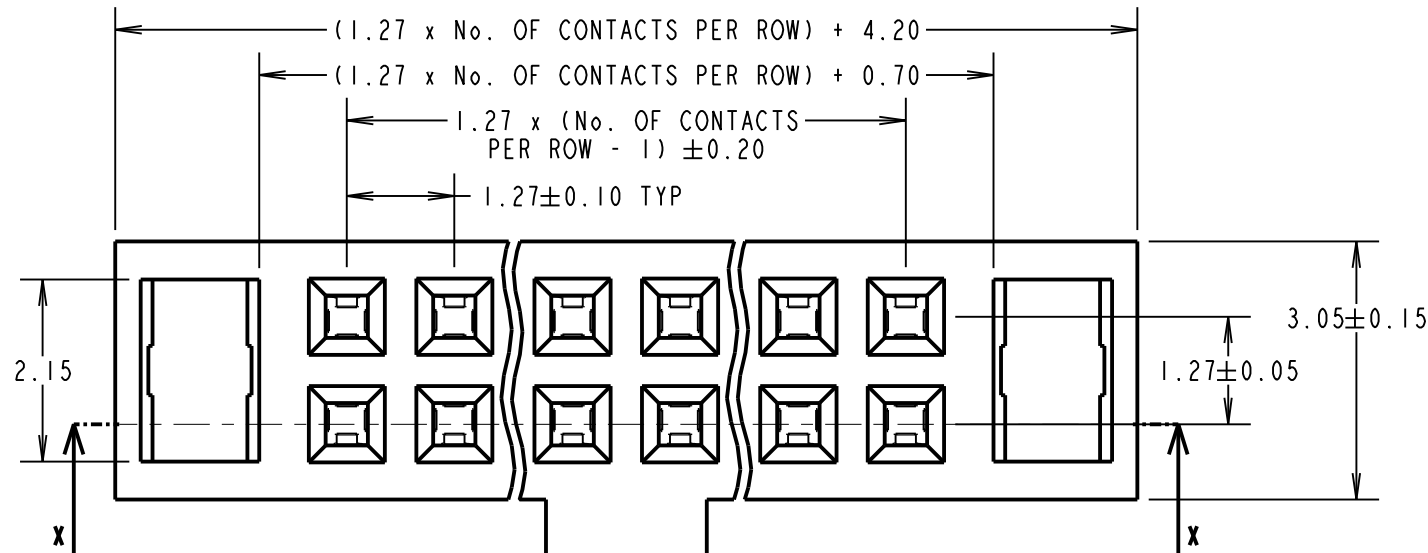
IF IN DOUBT - ASK

©

NOT TO SCALE

THIRD ANGLE PROJECTION

ALL DIMENSIONS IN mm



**SPECIFICATIONS:**

**MATERIALS:**

MOULD & CAP= PBT, 30% G/F, UL94V-0  
 CONTACT = PHOSPHOR BRONZE

**FINISH:**

42 =  $0.015-0.02\mu$  GOLD ON CONTACTS,  
 $2.54\mu$  100% TIN ON TAILS,  
 OVER  $0.76-2.03\mu$  NICKEL

**ELECTRICAL:**

RATED CURRENT = 1A  
 CONTACT RESISTANCE =  $20m\Omega$  MAX  
 WITHSTAND VOLTAGE = 1000V ACrms FOR 1 MIN  
 INSULATION RESISTANCE =  $1000M\Omega$  MIN

**MECHANICAL:**

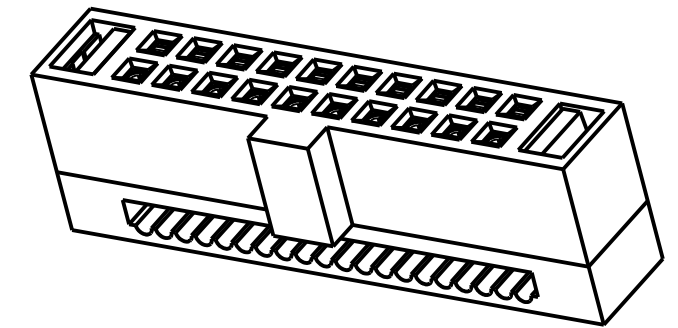
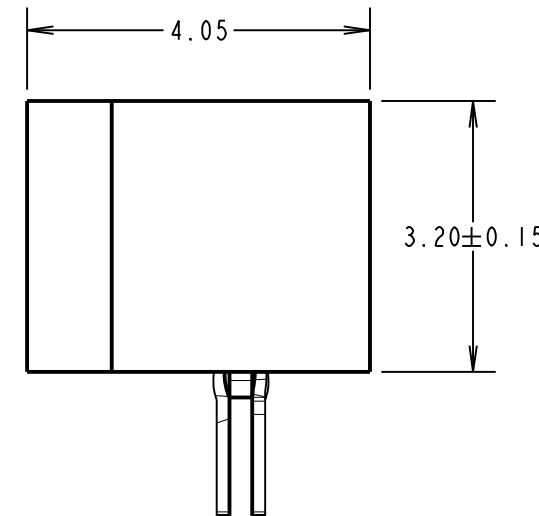
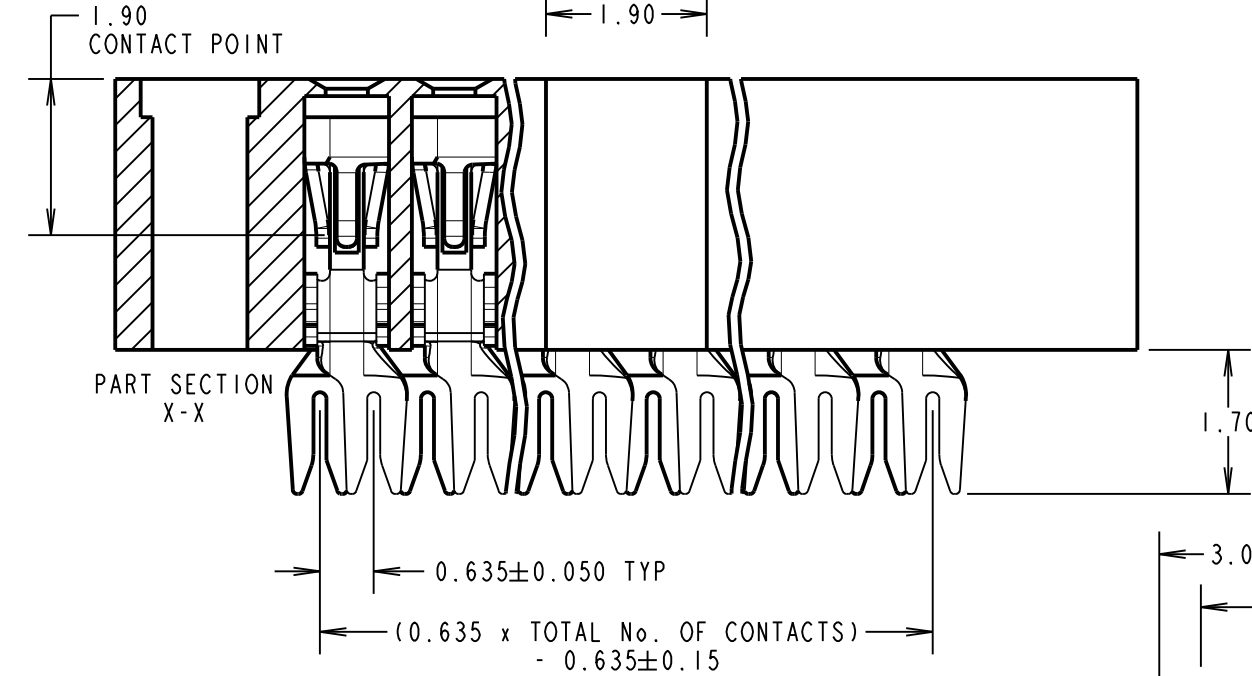
DURABILITY = 100 CYCLES MIN  
 INSERTION FORCE = 1.0N MAX PER CONTACT  
 WITHDRAWAL FORCE = 0.14N MIN PER CONTACT

**ENVIRONMENTAL:**

OPERATING TEMPERATURE =  $-40^{\circ}\text{C}$  TO  $+105^{\circ}\text{C}$

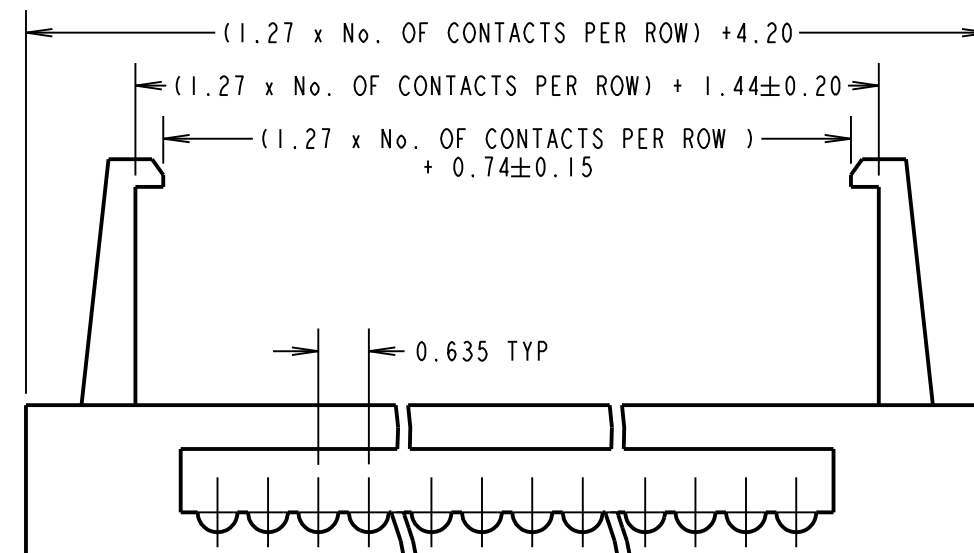
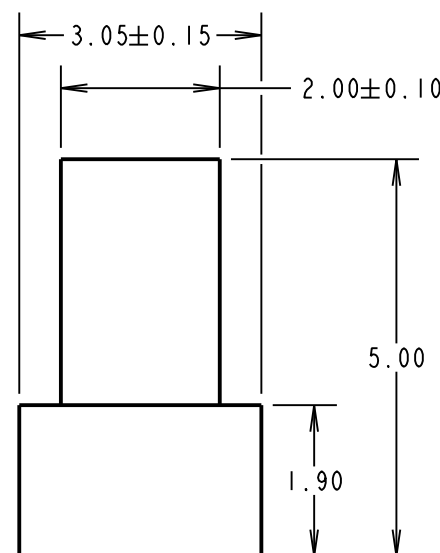
**PACKING:**

TUBE  
 FOR COMPLETE SPECIFICATION, SEE COMPONENT SPECIFICATION CO29XX (LATEST ISSUE)



**NOTES:**

- ALL TOLERANCES ARE  $\pm 0.25$  UNLESS OTHERWISE STATED.
- CONNECTOR IS RoHS AND REACH COMPLIANT.
- CONNECTOR IS TO BE USED WITH 30AWG WIRE.



MSP	8	10.08.16	13112
NAME	ISS.	DATE	C/NOTE
APPROVED:	M.PERREN		
CHECKED:	S.BENNETT		
DRAWN:	R.ADDE		
CUSTOMER REF.:			
ASSEMBLY DRG:			

**ORDER CODE: M50-330XX42**

No. OF CONTACTS PER ROW:   
 05, 06, 07, 08, 10,  
 13, 17, 20, 25

FINISH:  
 SELECTIVE GOLD, TIN

**HARWIN**

www.harwin.com  
 technical@harwin.com

THIS DRAWING AND ANY INFORMATION OR DESCRIPTIVE MATTER SET OUT HEREON ARE CONFIDENTIAL AND COPYRIGHT PROPERTY OF THE HARWIN GROUP AND MUST NOT BE DISCLOSED, LOANED, COPIED OR USED FOR MANUFACTURING, TENDERING OR FOR ANY OTHER PURPOSE WITHOUT THEIR WRITTEN PERMISSION.

**TOLERANCES**  
 X =  $\pm 1\text{mm}$   
 X.X =  $\pm 0.50\text{mm}$   
 X.XX =  $\pm 0.10\text{mm}$   
 X.XXX =  $\pm 0.01\text{mm}$   
 ANGLES =  $\pm 5^{\circ}$   
 UNLESS STATED

**MATERIAL:**

SEE ABOVE

FINISH: SEE ABOVE

S/AREA:

mm<sup>2</sup>

**TITLE:**

1.27mm DIL IDC  
 RIBBON CABLE CONNECTOR

DRAWING NUMBER:

**M50-330XX42**

SHT  
 2 OF 2