



Chipsmall Limited consists of a professional team with an average of over 10 year of expertise in the distribution of electronic components. Based in Hongkong, we have already established firm and mutual-benefit business relationships with customers from,Europe,America and south Asia,supplying obsolete and hard-to-find components to meet their specific needs.

With the principle of “Quality Parts,Customers Priority,Honest Operation,and Considerate Service”,our business mainly focus on the distribution of electronic components. Line cards we deal with include Microchip,ALPS,ROHM,Xilinx,Pulse,ON,Everlight and Freescale. Main products comprise IC,Modules,Potentiometer,IC Socket,Relay,Connector.Our parts cover such applications as commercial,industrial, and automotives areas.

We are looking forward to setting up business relationship with you and hope to provide you with the best service and solution. Let us make a better world for our industry!



Contact us

Tel: +86-755-8981 8866 Fax: +86-755-8427 6832

Email & Skype: info@chipsmall.com Web: www.chipsmall.com

Address: A1208, Overseas Decoration Building, #122 Zhenhua RD., Futian, Shenzhen, China



Customer Information Sheet

DRAWING No.: M50-350XX42

SHEET 2 OF 2

IF IN DOUBT - ASK

©

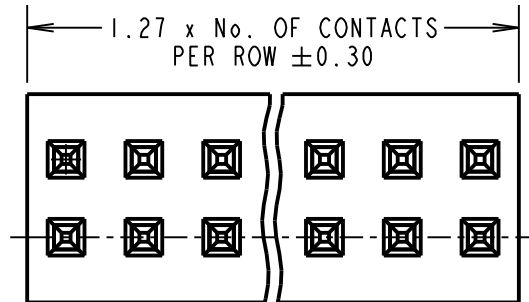
NOT TO SCALE

THIRD ANGLE PROJECTION

ALL DIMENSIONS IN mm

NOTES:

1. ALL TOLERANCES ARE ± 0.20 UNLESS OTHERWISE STATED.
2. RECOMMENDED PCB HOLE SIZE = $\varnothing 0.70 \pm 0.05\text{mm}$.



SPECIFICATION:

MATERIAL:

MOULDING = HIGH TEMP THERMOPLASTIC UL94V-0, BLACK
 CONTACT = HIGH STRENGTH COPPER ALLOY
FINISH (CONTACT):
 42 = $0.70 - 1.30\mu$ NICKEL ALL OVER,
 0.15 - 0.08μ GOLD ON CONTACT AREA,
 2.50 - 3.00μ 100% TIN ON TAILS.

ELECTRICAL:

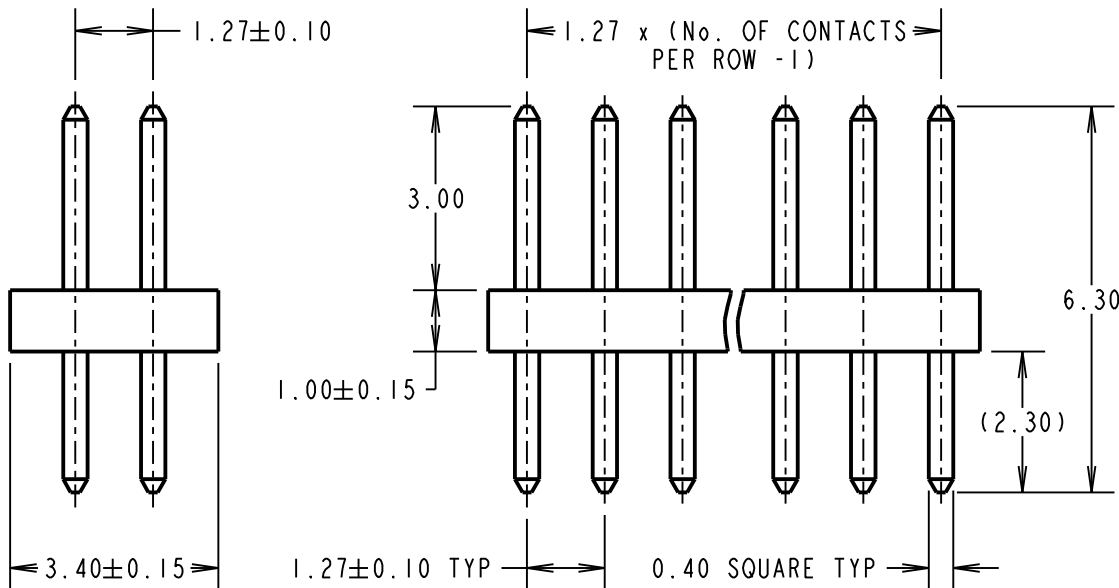
CURRENT RATING = 1A MAX
 CONTACT RESISTANCE = $20\text{m}\Omega$ MAX
 INSULATION RESISTANCE = $1,000\text{M}\Omega$ MIN
 DIELECTRIC STRENGTH = 1000V ACrms/DC FOR ONE MINUTE

MECHANICAL:

DURABILITY = 300 OPERATIONS

ENVIRONMENTAL:

TEMPERATURE RANGE = -40°C TO $+105^\circ\text{C}$
 FOR COMPLETE SPECIFICATION, SEE COMPONENT SPECIFICATION C029XX (LATEST ISSUE)



ORDER CODE:
M50-350XX42

No. OF CONTACTS PER ROW
 02 TO 50

FINISH: _____
 42 = SELECTIVE GOLD + 100% TIN

SB	12	21.11.12	11870
NAME	ISS.	DATE	C/NOTE
APPROVED: S.BENNETT			
CHECKED: S.FLOWER			
DRAWN: W. J. BOURNE			
CUSTOMER REF.:			
ASSEMBLY DRG:			

HARWIN

www.harwin.com
 technical@harwin.com

THIS DRAWING AND ANY INFORMATION OR DESCRIPTIVE MATTER SET OUT HEREON ARE CONFIDENTIAL AND COPYRIGHT PROPERTY OF THE HARWIN GROUP AND MUST NOT BE DISCLOSED, LOANED, COPIED OR USED FOR MANUFACTURING, TENDERING OR FOR ANY OTHER PURPOSE WITHOUT THEIR WRITTEN PERMISSION.

TOLERANCES
~~X = $\pm 1\text{mm}$~~
~~X.X = $\pm 0.25\text{mm}$~~
~~X.XX = $\pm 0.10\text{mm}$~~
~~X.XXX = $\pm 0.01\text{mm}$~~
 ANGLES = $\pm 5^\circ$
 UNLESS STATED

MATERIAL:
 SEE ABOVE

FINISH:
 SEE ABOVE

S/AREA:
 mm²

TITLE:
 1.27mm PITCH DIL VERTICAL PIN HEADER

DRAWING NUMBER:
M50-350XX42

SHT 2 OF 2