



Chipsmall Limited consists of a professional team with an average of over 10 year of expertise in the distribution of electronic components. Based in Hongkong, we have already established firm and mutual-benefit business relationships with customers from,Europe,America and south Asia,supplying obsolete and hard-to-find components to meet their specific needs.

With the principle of “Quality Parts,Customers Priority,Honest Operation,and Considerate Service”,our business mainly focus on the distribution of electronic components. Line cards we deal with include Microchip,ALPS,ROHM,Xilinx,Pulse,ON,Everlight and Freescale. Main products comprise IC,Modules,Potentiometer,IC Socket,Relay,Connector.Our parts cover such applications as commercial,industrial, and automotives areas.

We are looking forward to setting up business relationship with you and hope to provide you with the best service and solution. Let us make a better world for our industry!



## Contact us

Tel: +86-755-8981 8866 Fax: +86-755-8427 6832

Email & Skype: info@chipsmall.com Web: www.chipsmall.com

Address: A1208, Overseas Decoration Building, #122 Zhenhua RD., Futian, Shenzhen, China



# Customer Information Sheet

DRAWING No.: M50-380XX42 SHEET 2 OF 2

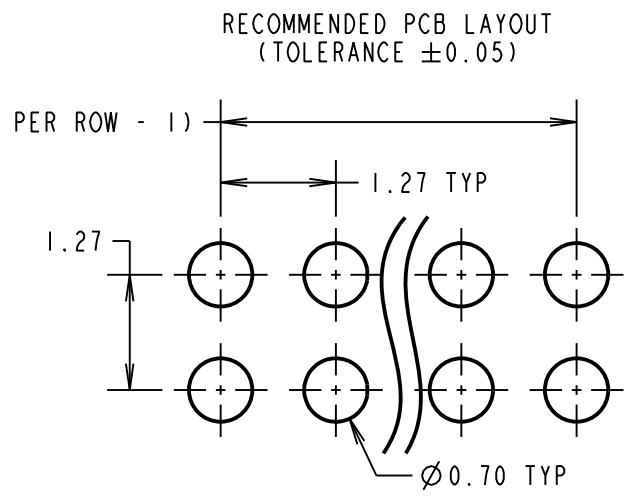
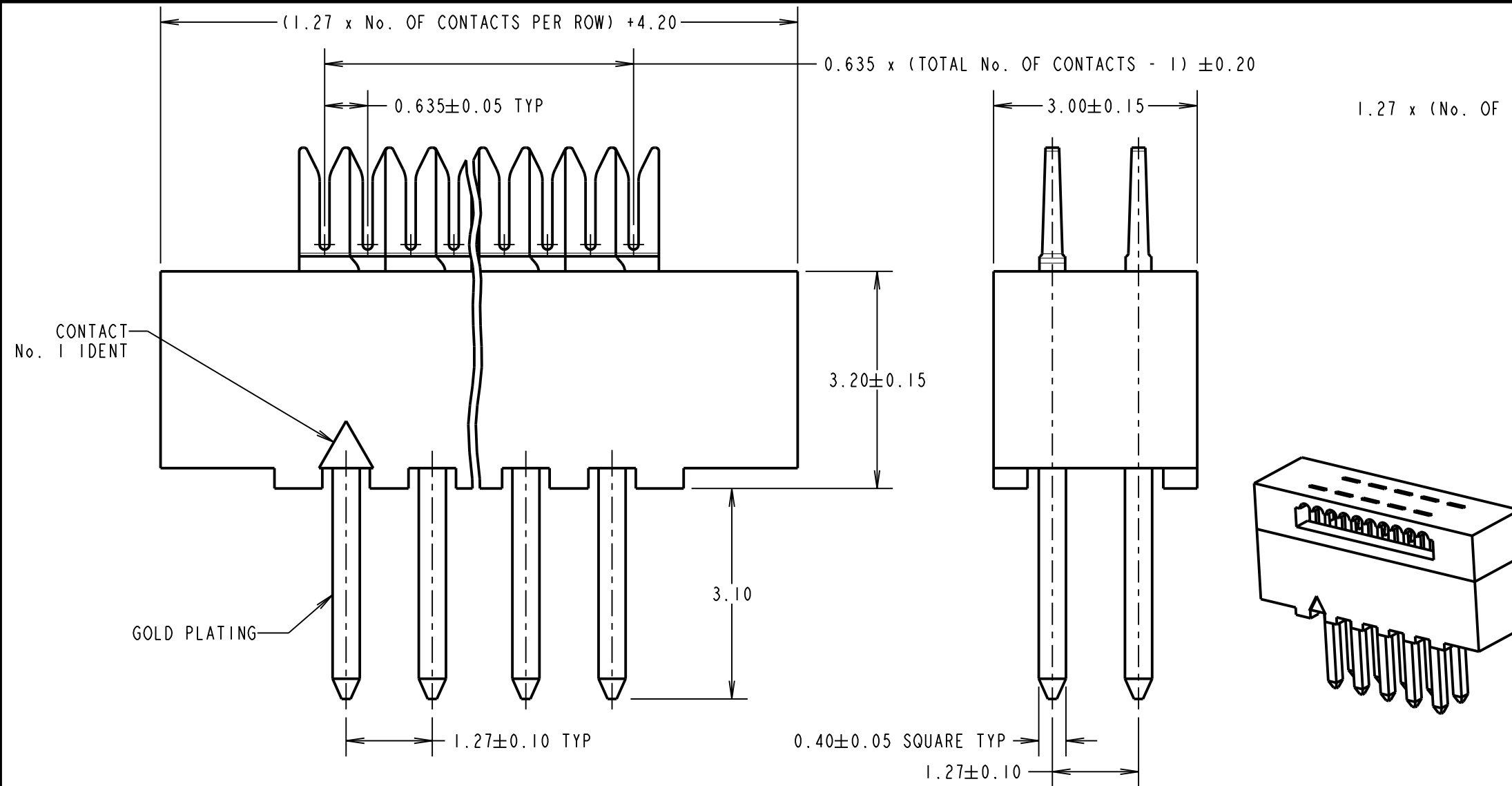
IF IN DOUBT - ASK

©

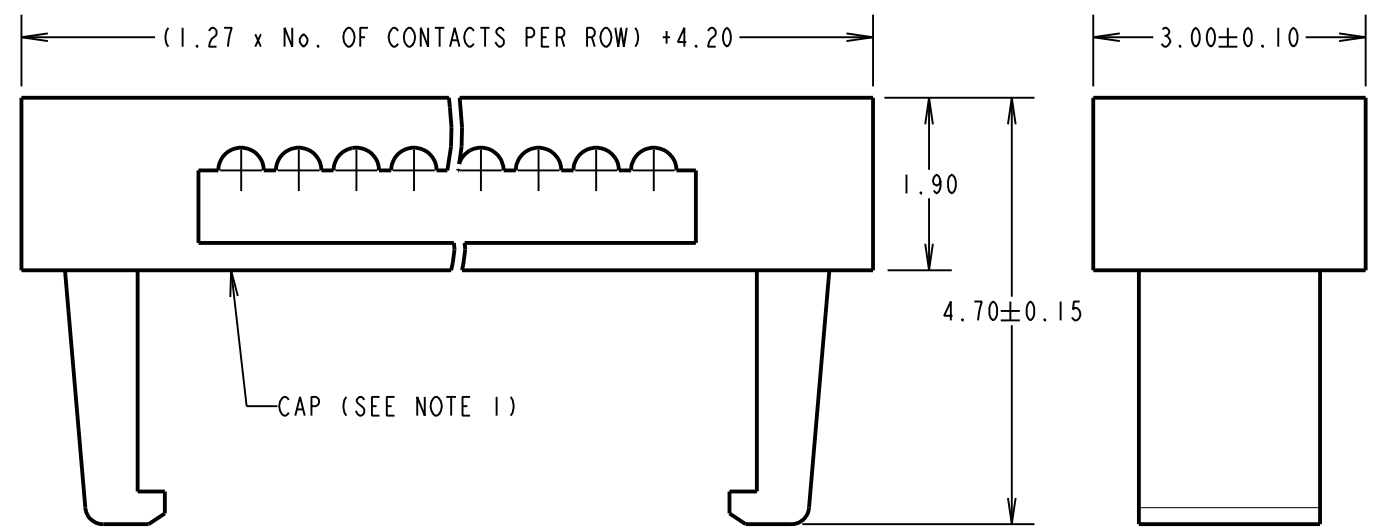
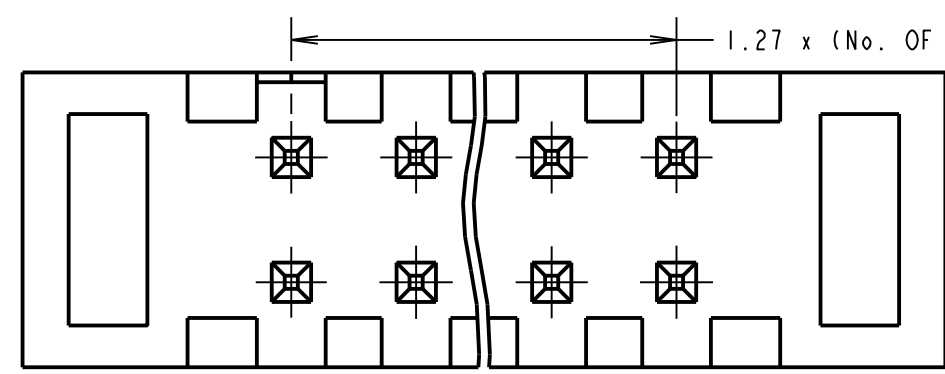
NOT TO SCALE

THIRD ANGLE PROJECTION

ALL DIMENSIONS IN mm



**SPECIFICATIONS:**  
**MATERIALS:**  
 MOULD & CAP = PBT, 30% G/F, UL94V-0  
 CONTACT = PHOSPHOR BRONZE  
**FINISH:**  
 42 = 0.015-0.02µ GOLD ON PIN CONTACT AREA,  
 0.76-2.03µ NICKEL ALL OVER  
**ELECTRICAL:**  
 RATED CURRENT = 0.5A  
 CONTACT RESISTANCE = 20mΩ MAX  
 WITHSTAND VOLTAGE = 1000V ACrms FOR 1 MIN  
 INSULATION RESISTANCE = 1000MΩ MIN  
**MECHANICAL:**  
 DURABILITY = 100 CYCLES MIN  
 INSERTION FORCE = 1.0N MAX PER CONTACT  
 WITHDRAWAL FORCE = 0.14N MIN PER CONTACT  
**ENVIRONMENTAL:**  
 OPERATING TEMPERATURE = -40°C TO +105°C  
**PACKING:**  
 TRAY  
 FOR COMPLETE SPECIFICATION, SEE  
 COMPONENT SPECIFICATION C029XX (LATEST ISSUE).



**ORDER CODE: M50-380XX42**  
 No. OF CONTACTS PER ROW:  
 05, 06, 07, 08, 10,  
 13, 17, 20, 25  
 FINISH:  
 SELECTIVE GOLD OVER NICKEL

- NOTES:**
1. TERMINATED HEIGHT WHEN MATED = 5.10mm
  2. ALL TOLERANCES ARE ±0.25 UNLESS OTHERWISE STATED.
  3. CONNECTOR IS RoHS AND REACH COMPLIANT.
  4. CONNECTOR IS TO BE USED WITH 30AWG WIRE.

MSP	8	10.08.16	13112
NAME	ISS.	DATE	C/NOTE
APPROVED:		M. PERREN	
CHECKED:		S. BENNETT	
DRAWN:		R. ADDE	
CUSTOMER REF.:			
ASSEMBLY DRG:			

**HARWIN**  
 www.harwin.com  
 technical@harwin.com

THIS DRAWING AND ANY INFORMATION OR DESCRIPTIVE MATTER SET OUT HEREON ARE CONFIDENTIAL AND COPYRIGHT PROPERTY OF THE HARWIN GROUP AND MUST NOT BE DISCLOSED, LOANED, COPIED OR USED FOR MANUFACTURING, TENDERING OR FOR ANY OTHER PURPOSE WITHOUT THEIR WRITTEN PERMISSION.

**TOLERANCES**  
 X = ±1mm  
 X.X = ±0.50mm  
 X.XX = ±0.10mm  
 X.XXX = ±0.01mm  
 ANGLES = ±5°  
 UNLESS STATED

**MATERIAL:**  
 SEE ABOVE  
**FINISH:** SEE ABOVE  
**S/AREA:** mm<sup>2</sup>

**TITLE:**  
 1.27mm DIL PC TAIL  
 IDC RIBBON CABLE CONNECTOR  
**DRAWING NUMBER:**  
**M50-380XX42**  
 SHT 2 OF 2