



Chipsmall Limited consists of a professional team with an average of over 10 year of expertise in the distribution of electronic components. Based in Hongkong, we have already established firm and mutual-benefit business relationships with customers from,Europe,America and south Asia,supplying obsolete and hard-to-find components to meet their specific needs.

With the principle of "Quality Parts,Customers Priority,Honest Operation,and Considerate Service",our business mainly focus on the distribution of electronic components. Line cards we deal with include Microchip,ALPS,ROHM,Xilinx,Pulse,ON,Everlight and Freescale. Main products comprise IC,Modules,Potentiometer,IC Socket,Relay,Connector.Our parts cover such applications as commercial,industrial, and automotives areas.

We are looking forward to setting up business relationship with you and hope to provide you with the best service and solution. Let us make a better world for our industry!



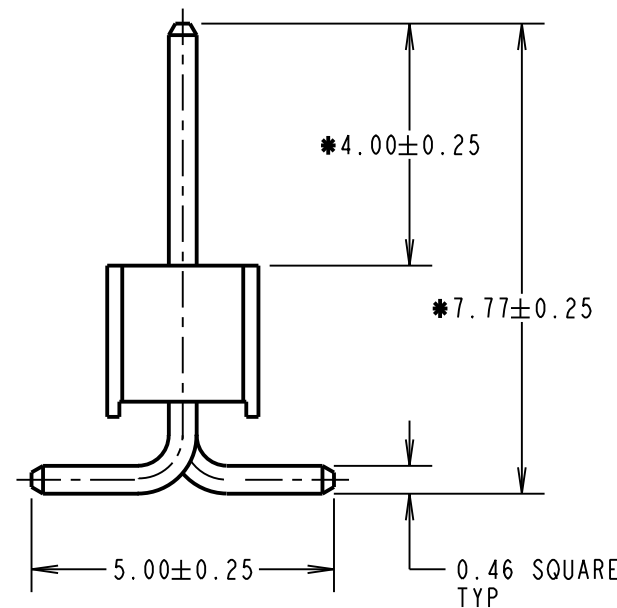
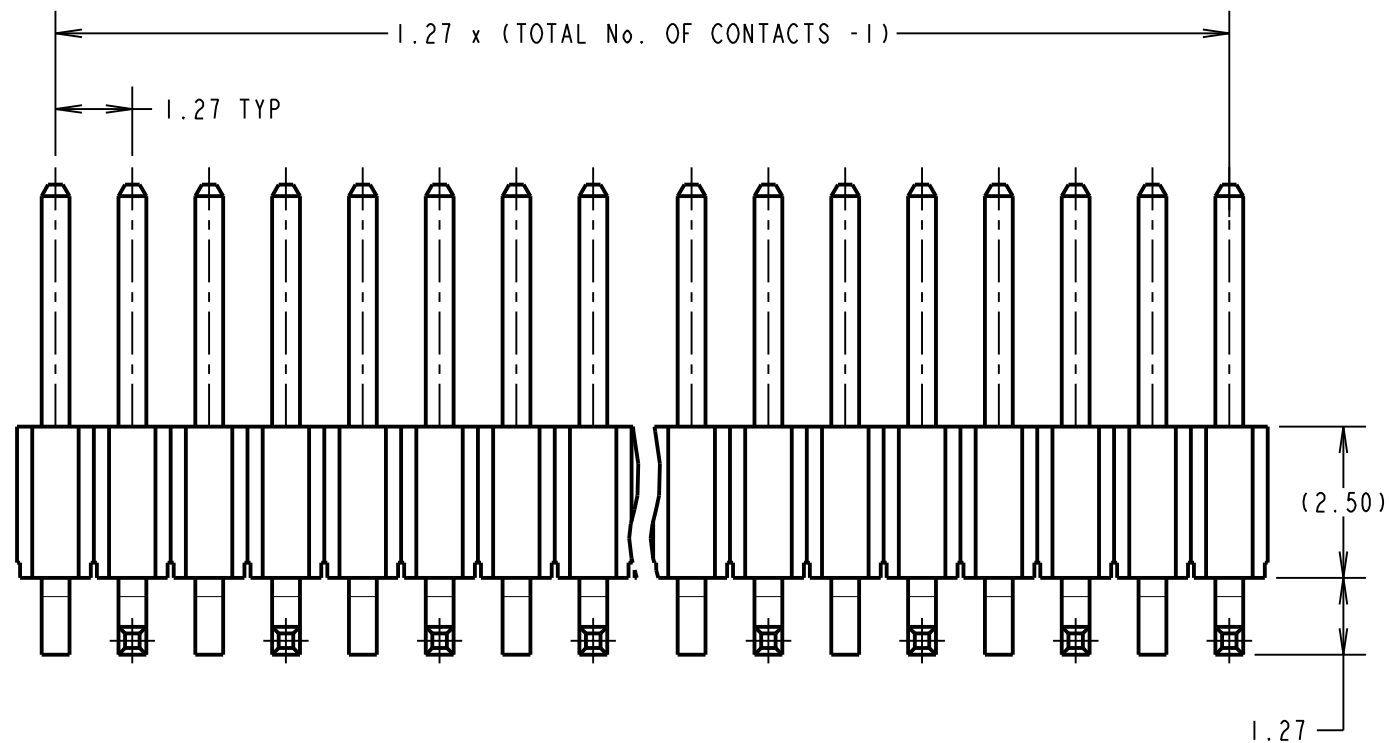
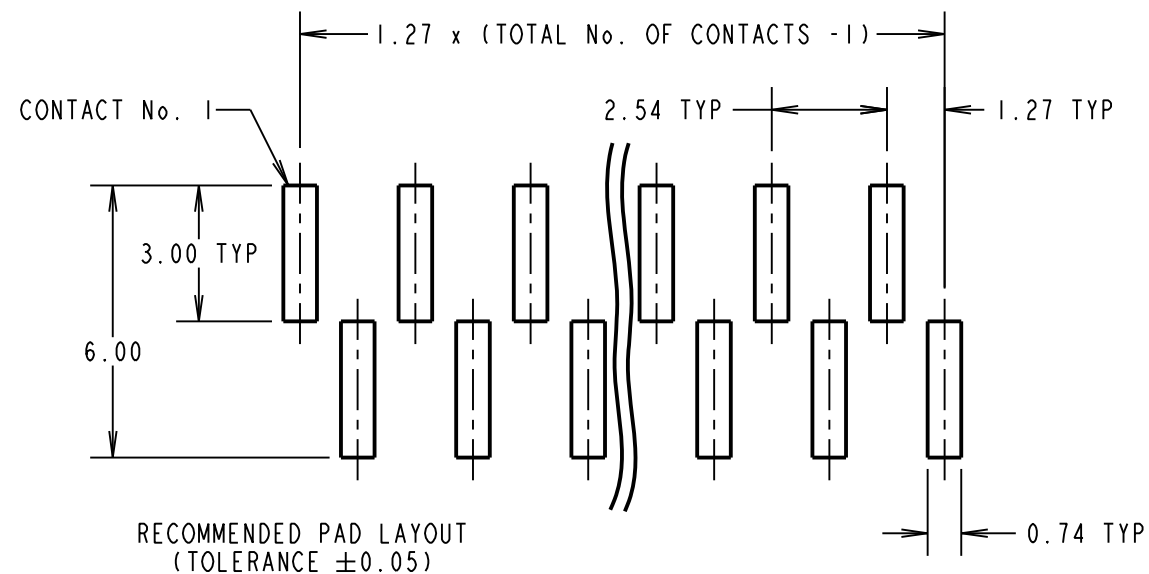
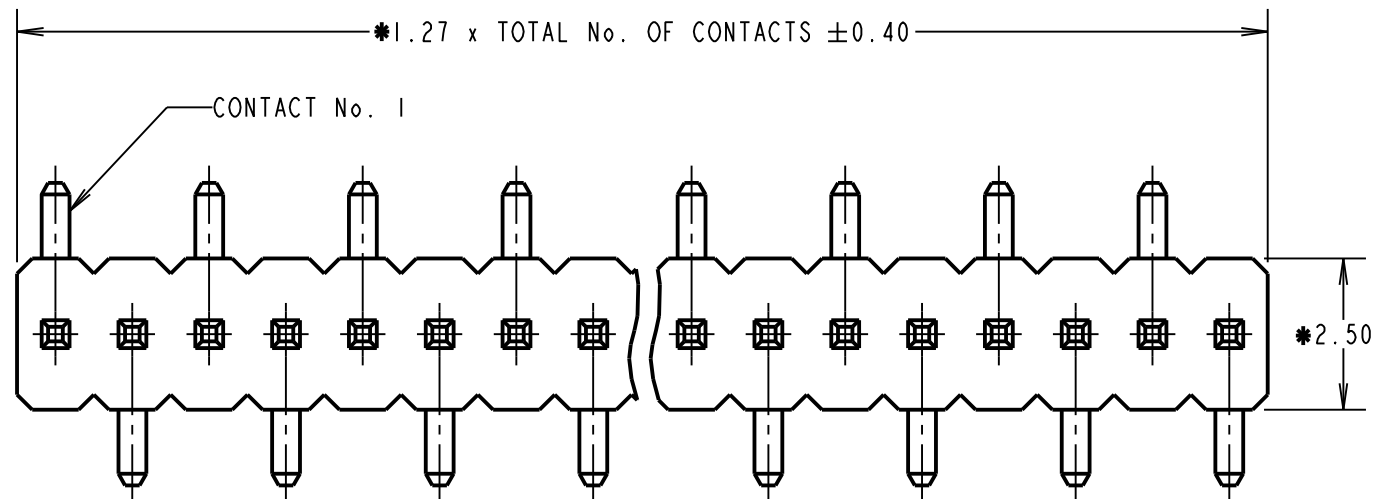
Contact us

Tel: +86-755-8981 8866 Fax: +86-755-8427 6832

Email & Skype: info@chipsmall.com Web: www.chipsmall.com

Address: A1208, Overseas Decoration Building, #122 Zhenhua RD., Futian, Shenzhen, China





SPECIFICATIONS:
MATERIAL:
 MOULDING = NYLON 6T, UL94V-0, BLACK
 CONTACT = BRASS
FINISH:
 CONTACT = GOLD FLASH OVER NICKEL
ELECTRICAL:
 CURRENT RATING = 1A
 CONTACT RESISTANCE = 20mΩ MAX
 INSULATION RESISTANCE = 1000MΩ MIN
 DIELECTRIC STRENGTH = 1000V ACrms FOR ONE MINUTE
MECHANICAL:
 DURABILITY = 300 CYCLES MIN
ENVIRONMENTAL:
 TEMPERATURE RANGE = -40°C TO +105°C
PACKING:
 BAG
 FOR COMPLETE SPECIFICATION SEE COMPONENT SPECIFICATION C029XX (LATEST ISSUE).

- NOTES:**
- ALL DIMENSIONS AND NOTES MARKED * ARE CRITICAL AND MUST BE CHECKED IN ACCORDANCE WITH QUALITY INSTRUCTION Q1-02.
 - MAXIMUM PERMISSIBLE OUT OF SQUARE OF PIN TO MOULDING TO BE 0.15mm IN ANY DIRECTION.
 - CONTACT LEG VARIATION ON COMPLETE ASSEMBLY NOT TO EXCEED 0.20mm.
 - ALL TOLERANCES ARE ±0.15 UNLESS OTHERWISE STATED.
 - ALL PRODUCT TO HAVE 'LEAD FREE' LABELLING ON ALL PACKAGING.

SB	2	09.01.13	11906
JMB	1	17.11.05	----
NAME	ISS.	DATE	C/NOTE
APPROVED:		S.BENNETT	
CHECKED:		S.FLOWER	
DRAWN:		S.BENNETT	
CUSTOMER REF.:			
ASSEMBLY DRG:			

ORDER CODE:

M52-04000PXX45

TOTAL No. OF CONTACTS: _____
 05, 10, 20, 25

FINISH: _____
 GOLD FLASH OVER NICKEL

 HARWIN Europe (UK) www.harwin.com mis@harwin.co.uk	TOLERANCES X = ±1mm X.X = ±0.25mm X.XX = ±0.10mm X.XXX = ±0.01mm ANGLES = ±5° UNLESS STATED		MATERIAL:	TITLE:	
			SEE ABOVE	1.27mm PITCH SIL SURFACE MOUNT PIN HEADER	
		THIS DRAWING AND ANY INFORMATION OR DESCRIPTIVE MATTER SET OUT HEREON ARE CONFIDENTIAL AND COPYRIGHT PROPERTY OF THE HARWIN GROUP AND MUST NOT BE DISCLOSED, LOANED, COPIED OR USED FOR MANUFACTURING, TENDERING OR FOR ANY OTHER PURPOSE WITHOUT THEIR WRITTEN PERMISSION.	FINISH: SEE ABOVE	DRAWING NUMBER:	SHT
			S/AREA: mm ²	M52-04000PXX45	1 OF 1