



Chipsmall Limited consists of a professional team with an average of over 10 year of expertise in the distribution of electronic components. Based in Hongkong, we have already established firm and mutual-benefit business relationships with customers from,Europe,America and south Asia,supplying obsolete and hard-to-find components to meet their specific needs.

With the principle of “Quality Parts,Customers Priority,Honest Operation,and Considerate Service”,our business mainly focus on the distribution of electronic components. Line cards we deal with include Microchip,ALPS,ROHM,Xilinx,Pulse,ON,Everlight and Freescale. Main products comprise IC,Modules,Potentiometer,IC Socket,Relay,Connector.Our parts cover such applications as commercial,industrial, and automotives areas.

We are looking forward to setting up business relationship with you and hope to provide you with the best service and solution. Let us make a better world for our industry!



Contact us

Tel: +86-755-8981 8866 Fax: +86-755-8427 6832

Email & Skype: info@chipsmall.com Web: www.chipsmall.com

Address: A1208, Overseas Decoration Building, #122 Zhenhua RD., Futian, Shenzhen, China



Customer Information Sheet

DRAWING No.: M52-500XX45

SHEET 2 OF 2

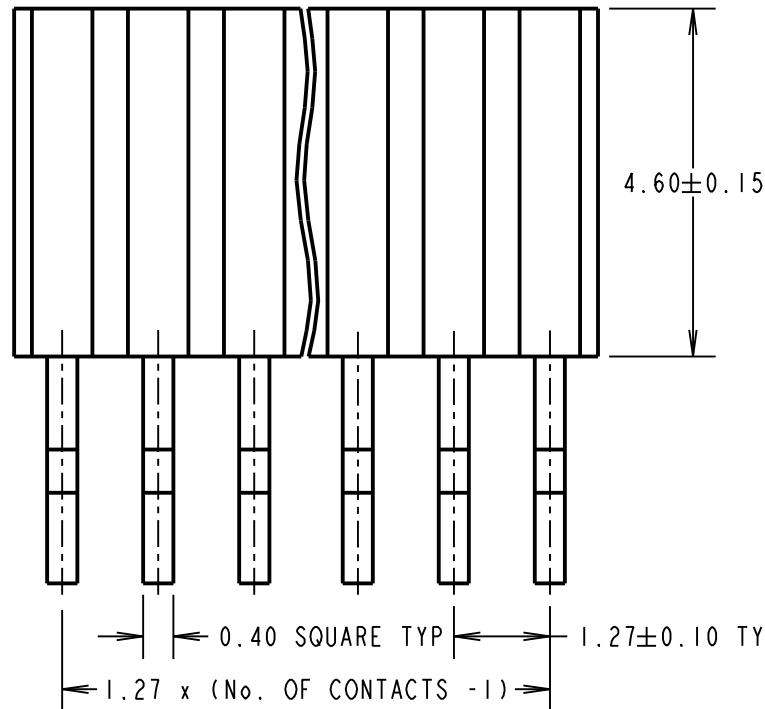
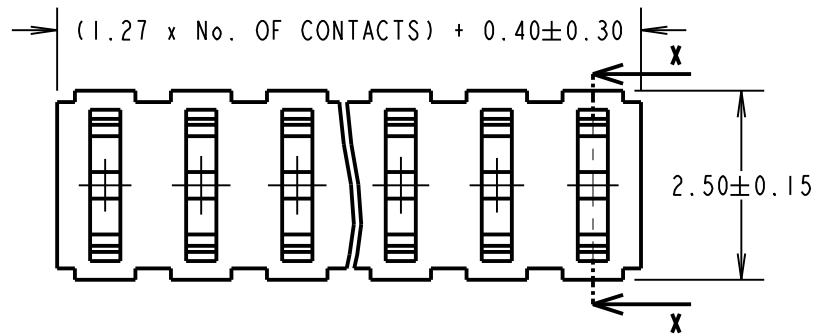
IF IN DOUBT - ASK

©

NOT TO SCALE

THIRD ANGLE PROJECTION

ALL DIMENSIONS IN mm



ORDER CODE:
M52-500XX45

No. OF CONTACTS PER ROW:
02 TO 50

FINISH: _____
GOLD

SPECIFICATIONS:

MATERIAL:
MOULDING = NYLON 6T UL94V-0, BLACK
CONTACT = PHOSPHOR BRONZE

FINISH:
CONTACT = GOLD OVER NICKEL

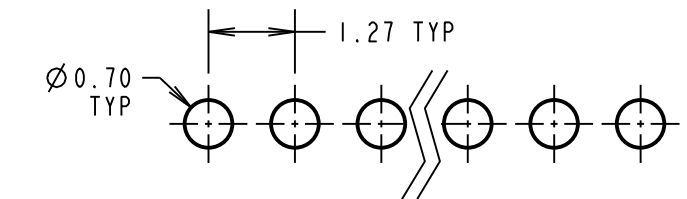
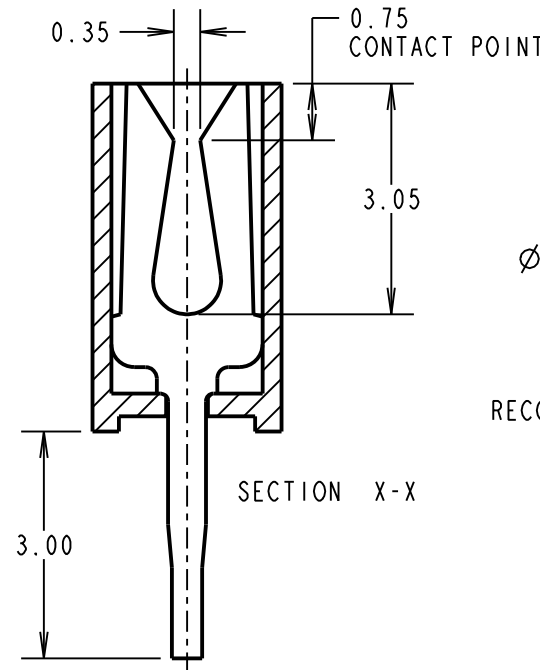
ELECTRICAL:
CURRENT RATING = 1A
DIELECTRIC WITHSTAND VOLTAGE = 500V AC FOR ONE MINUTE

CONTACT RESISTANCE = 30mΩ MAX
INSULATION RESISTANCE = 1000MΩ MIN

MECHANICAL:
INSERTION FORCE = IN MAX PER PIN
WITHDRAWAL FORCE = 0.12N MIN PER PIN
DURABILITY = 300 CYCLES

ENVIRONMENTAL:
OPERATING TEMPERATURE = -40°C TO +105°C

PACKING:
02-04 CONTACTS = TRAY, 05-50 CONTACTS = TUBE



RECOMMENDED PCB LAYOUT (PCB TOLERANCE ±0.05)

NOTES:
1. ALL TOLERANCES ARE ±0.25 UNLESS OTHERWISE STATED.

SB	11	17.12.13	11905
NAME	ISS.	DATE	C/NOTE
APPROVED:		S.BENNETT	
CHECKED:		S.FLOWER	
DRAWN:		J. ENRIGHT	
CUSTOMER REF.:			
ASSEMBLY DRG:			

HARWIN

www.harwin.com
technical@harwin.com

THIS DRAWING AND ANY INFORMATION OR DESCRIPTIVE MATTER SET OUT HEREON ARE CONFIDENTIAL AND COPYRIGHT PROPERTY OF THE HARWIN GROUP AND MUST NOT BE DISCLOSED, LOANED, COPIED OR USED FOR MANUFACTURING, TENDERING OR FOR ANY OTHER PURPOSE WITHOUT THEIR WRITTEN PERMISSION.

TOLERANCES
~~X = ±1mm~~
~~X.X = ±0.25mm~~
~~X.XX = ±0.10mm~~
~~X.XXX = ±0.01mm~~
 ANGLES = ±5°
 UNLESS STATED

MATERIAL: SEE ABOVE

FINISH: SEE ABOVE

S/AREA: mm²

TITLE:
1.27mm PITCH SIL
VERTICAL PC TAIL SOCKET ASSY

DRAWING NUMBER:
M52-500XX45

SHT 2 OF 2