

Chipsmall Limited consists of a professional team with an average of over 10 year of expertise in the distribution of electronic components. Based in Hongkong, we have already established firm and mutual-benefit business relationships with customers from,Europe,America and south Asia,supplying obsolete and hard-to-find components to meet their specific needs.

With the principle of “Quality Parts,Customers Priority,Honest Operation,and Considerate Service”,our business mainly focus on the distribution of electronic components. Line cards we deal with include Microchip,ALPS,ROHM,Xilinx,Pulse,ON,Everlight and Freescale. Main products comprise IC,Modules,Potentiometer,IC Socket,Relay,Connector.Our parts cover such applications as commercial,industrial, and automotives areas.

We are looking forward to setting up business relationship with you and hope to provide you with the best service and solution. Let us make a better world for our industry!



Contact us

Tel: +86-755-8981 8866 Fax: +86-755-8427 6832

Email & Skype: info@chipsmall.com Web: www.chipsmall.com

Address: A1208, Overseas Decoration Building, #122 Zhenhua RD., Futian, Shenzhen, China

Customer Information Sheet

DRAWING No.: M52-505XX45

SHEET 2 OF 2

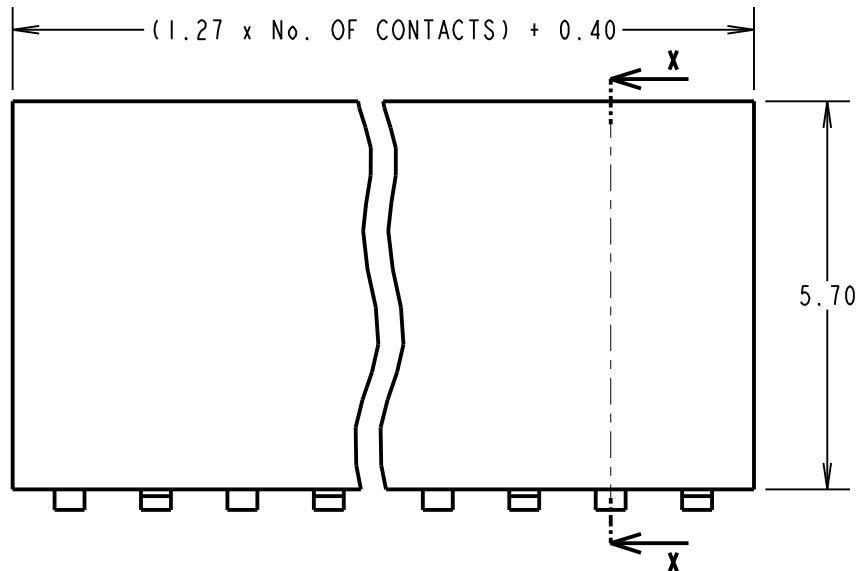
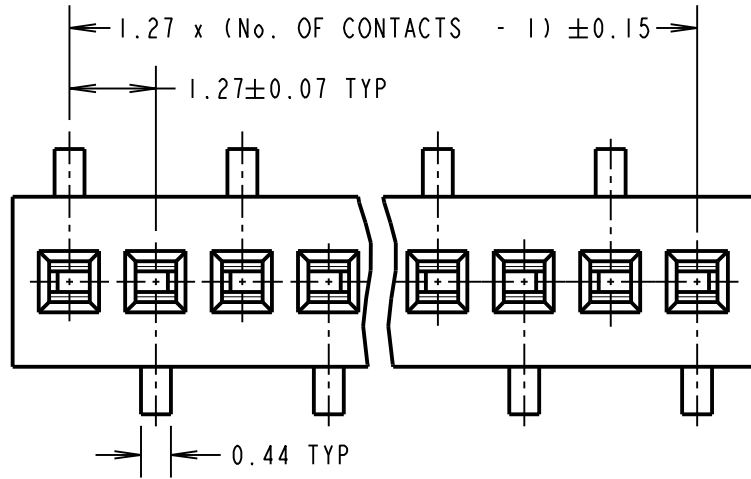
IF IN DOUBT - ASK

©

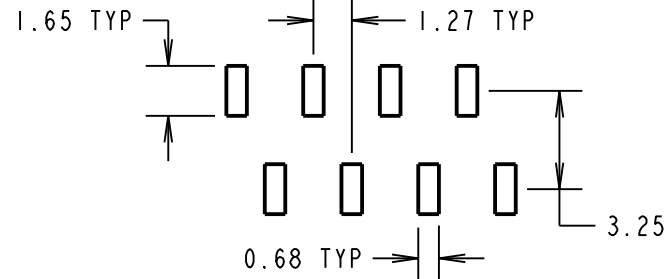
NOT TO SCALE

THIRD ANGLE PROJECTION

ALL DIMENSIONS IN mm



RECOMMENDED PCB LAYOUT (PCB TOLERANCE ± 0.05)



NOTES:
1. ALL TOLERANCES ARE ± 0.25 UNLESS OTHERWISE STATED.

SPECIFICATIONS:

MATERIAL:
MOULDING = NYLON 6T UL94V-0, BLACK
CONTACT = PHOSPHOR BRONZE
FINISH:
CONTACT = GOLD OVER NICKEL
ELECTRICAL:
CURRENT RATING = 1A
DIELECTRIC WITHSTAND VOLTAGE = 1000V ACrms FOR ONE MINUTE
CONTACT RESISTANCE = $20m\Omega$ MAX
INSULATION RESISTANCE = $1000M\Omega$ MIN
MECHANICAL:
INSERTION FORCE = 1.5N MAX PER PIN
WITHDRAWAL FORCE = 0.10N MIN PER PIN
DURABILITY = 300 CYCLES
ENVIRONMENTAL:
OPERATING TEMPERATURE = $-40^{\circ}C$ TO $+105^{\circ}C$
PACKING:
TUBE

ORDER CODE:

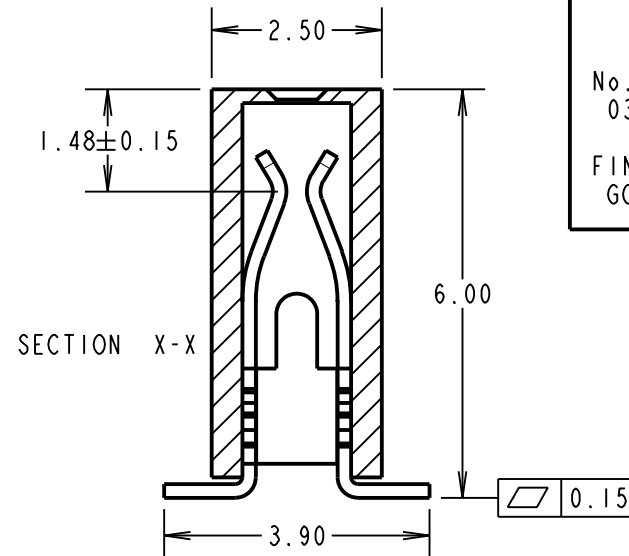
M52-505XX45

No. OF CONTACTS PER ROW:

03 TO 50

FINISH:

GOLD



SB	8	17.12.13	11905
NAME	ISS.	DATE	C/NOTE
APPROVED: S.BENNETT			
CHECKED: S.FLOWER			
DRAWN: J. ENRIGHT			
CUSTOMER REF.:			
ASSEMBLY DRG:			

HARWIN

www.harwin.com
technical@harwin.com

THIS DRAWING AND ANY INFORMATION OR DESCRIPTIVE MATTER SET OUT HEREON ARE CONFIDENTIAL AND COPYRIGHT PROPERTY OF THE HARWIN GROUP AND MUST NOT BE DISCLOSED, LOANED, COPIED OR USED FOR MANUFACTURING, TENDERING OR FOR ANY OTHER PURPOSE WITHOUT THEIR WRITTEN PERMISSION.

TOLERANCES
~~X = $\pm 1mm$~~
~~X.X = $\pm 0.25mm$~~
~~X.XX = $\pm 0.10mm$~~
~~X.XXX = $\pm 0.01mm$~~
ANGLES = $\pm 5^{\circ}$
UNLESS STATED

MATERIAL:
SEE ABOVE
FINISH: SEE ABOVE
S/AREA: mm²

TITLE:
1.27mm PITCH SIL
VERTICAL SMT SOCKET ASSY
DRAWING NUMBER:
M52-505XX45
SHT 2 OF 2