



Chipsmall Limited consists of a professional team with an average of over 10 year of expertise in the distribution of electronic components. Based in Hongkong, we have already established firm and mutual-benefit business relationships with customers from,Europe,America and south Asia,supplying obsolete and hard-to-find components to meet their specific needs.

With the principle of “Quality Parts,Customers Priority,Honest Operation,and Considerate Service”,our business mainly focus on the distribution of electronic components. Line cards we deal with include Microchip,ALPS,ROHM,Xilinx,Pulse,ON,Everlight and Freescale. Main products comprise IC,Modules,Potentiometer,IC Socket,Relay,Connector.Our parts cover such applications as commercial,industrial, and automotives areas.

We are looking forward to setting up business relationship with you and hope to provide you with the best service and solution. Let us make a better world for our industry!



Contact us

Tel: +86-755-8981 8866 Fax: +86-755-8427 6832

Email & Skype: info@chipsmall.com Web: www.chipsmall.com

Address: A1208, Overseas Decoration Building, #122 Zhenhua RD., Futian, Shenzhen, China



Customer Information Sheet

DRAWING No.: M52-515XX45

SHEET 2 OF 2

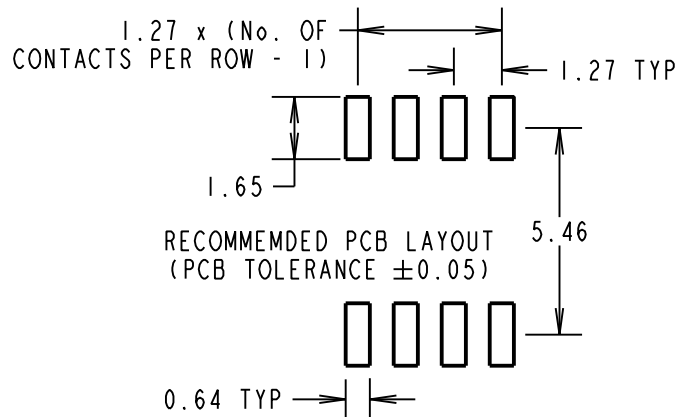
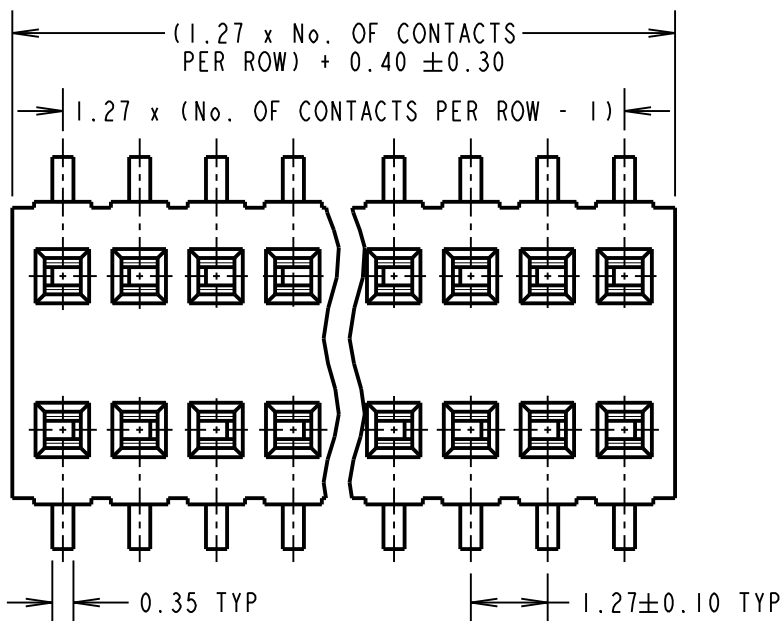
IF IN DOUBT - ASK



NOT TO SCALE

THIRD ANGLE PROJECTION

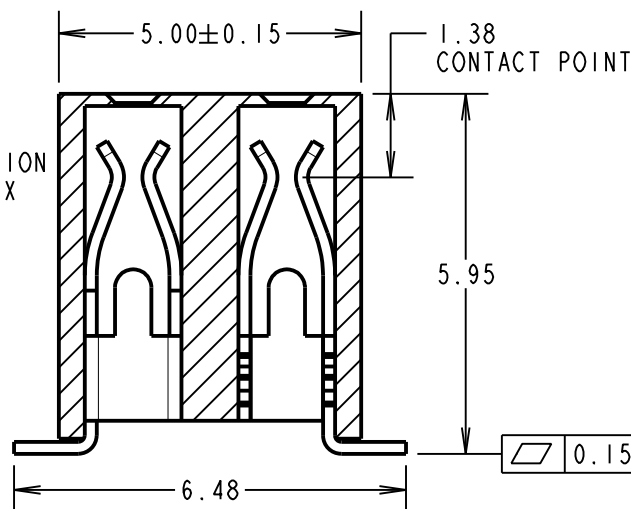
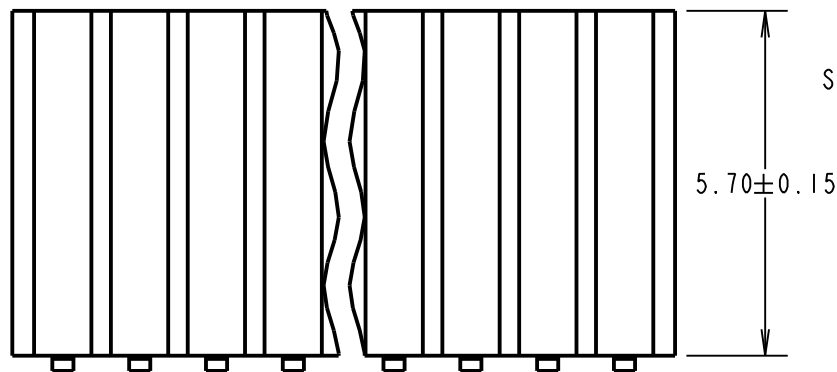
ALL DIMENSIONS IN mm



RECOMMENDED PCB LAYOUT
(PCB TOLERANCE ±0.05)

NOTES:

- ALL TOLERANCES ARE ±0.25 UNLESS OTHERWISE STATED.



SPECIFICATIONS:

- MATERIAL:**
 MOULDING = NYLON 6T UL94V-0, BLACK
 CONTACT = PHOSPHOR BRONZE
- FINISH:**
 CONTACT = GOLD OVER NICKEL
- ELECTRICAL:**
 CURRENT RATING = 1A
 DIELECTRIC WITHSTAND VOLTAGE = 1000V ACrms FOR ONE MINUTE
- CONTACT RESISTANCE** = 20mΩ MAX
INSULATION RESISTANCE = 1000MΩ MIN
- MECHANICAL:**
 INSERTION FORCE = 1.5N MAX PER PIN
 WITHDRAWAL FORCE = 0.10N MIN PER PIN
 DURABILITY = 300 CYCLES
- ENVIRONMENTAL:**
 OPERATING TEMPERATURE = -40°C TO +105°C
- PACKING:**
 TUBE

ORDER CODE:

M52-515XX45

No. OF CONTACTS PER ROW: 03 TO 50

FINISH: GOLD

SB	9	17.12.13	11905
NAME	ISS.	DATE	C/NOTE
APPROVED:		S.BENNETT	
CHECKED:		S.FLOWER	
DRAWN:		J. ENRIGHT	
CUSTOMER REF.:			
ASSEMBLY DRG:			

HARWIN

www.harwin.com
technical@harwin.com

THIS DRAWING AND ANY INFORMATION OR DESCRIPTIVE MATTER SET OUT HEREON ARE CONFIDENTIAL AND COPYRIGHT PROPERTY OF THE HARWIN GROUP AND MUST NOT BE DISCLOSED, LOANED, COPIED OR USED FOR MANUFACTURING, TENDERING OR FOR ANY OTHER PURPOSE WITHOUT THEIR WRITTEN PERMISSION.

TOLERANCES

~~X = ±1mm~~
~~X.X = ±0.25mm~~
~~X.XX = ±0.10mm~~
~~X.XXX = ±0.01mm~~
 ANGLES = ±5°
 UNLESS STATED

MATERIAL:

SEE ABOVE

FINISH: SEE ABOVE

S/AREA: mm²

TITLE:

1.27mm PITCH DIL
VERTICAL SMT SOCKET ASSY

DRAWING NUMBER:

M52-515XX45

SHT
2 OF 2