



Chipsmall Limited consists of a professional team with an average of over 10 year of expertise in the distribution of electronic components. Based in Hongkong, we have already established firm and mutual-benefit business relationships with customers from,Europe,America and south Asia,supplying obsolete and hard-to-find components to meet their specific needs.

With the principle of "Quality Parts,Customers Priority,Honest Operation,and Considerate Service",our business mainly focus on the distribution of electronic components. Line cards we deal with include Microchip,ALPS,ROHM,Xilinx,Pulse,ON,Everlight and Freescale. Main products comprise IC,Modules,Potentiometer,IC Socket,Relay,Connector.Our parts cover such applications as commercial,industrial, and automotives areas.

We are looking forward to setting up business relationship with you and hope to provide you with the best service and solution. Let us make a better world for our industry!



Contact us

Tel: +86-755-8981 8866 Fax: +86-755-8427 6832

Email & Skype: info@chipsmall.com Web: www.chipsmall.com

Address: A1208, Overseas Decoration Building, #122 Zhenhua RD., Futian, Shenzhen, China



Customer Information Sheet

DRAWING No.: M55-60XXX42R

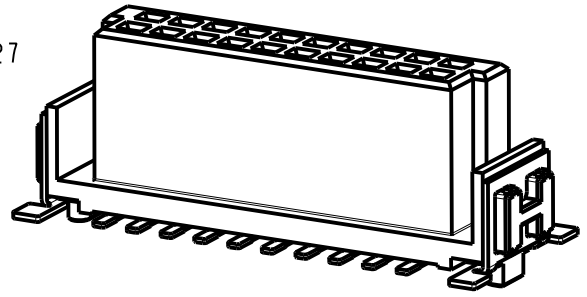
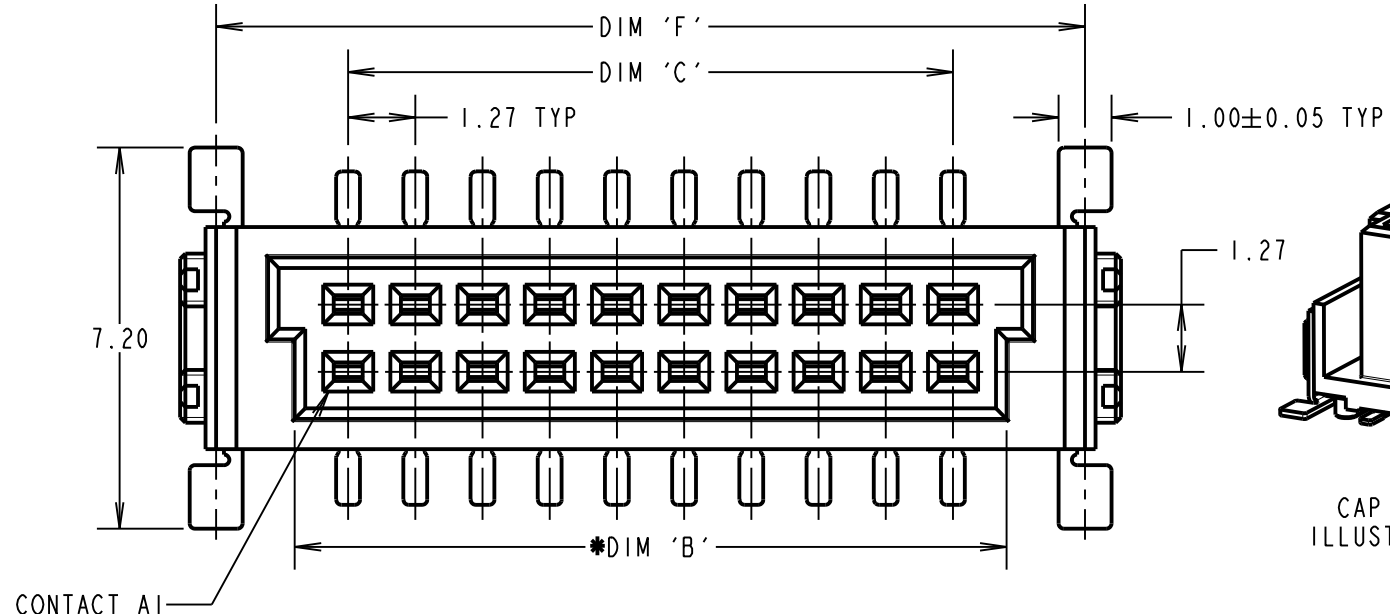
IF IN DOUBT - ASK

©

NOT TO SCALE

THIRD ANGLE PROJECTION

ALL DIMENSIONS IN mm



CAP HAS BEEN HIDDEN FOR ILLUSTRATION PURPOSES ONLY. SEE NOTE 1

PART No.	DIM 'A'	DIM 'B'	DIM 'C'	DIM 'D'	DIM 'E'	DIM 'F'	DIM 'G'
M55-60X1242R	12.70	8.37	6.35	9.37	10.77	11.34	10.57
M55-60X1642R	15.24	10.91	8.89	11.91	13.31	13.88	13.11
M55-60X2042R	17.78	13.45	11.43	14.45	15.85	16.42	15.65
M55-60X2642R	21.59	17.26	15.24	18.26	19.66	20.23	19.46
M55-60X3242R	25.40	21.07	19.05	22.07	23.47	24.04	23.27
M55-60X4042R	30.48	26.15	24.13	27.15	28.55	29.12	28.35
M55-60X5042R	36.83	32.50	30.48	33.50	34.90	35.47	34.70
M55-60X6842R	48.26	43.93	41.91	44.93	46.33	46.90	46.13
M55-60X8042R	55.88	51.55	49.53	52.55	53.95	54.52	53.75

ORDER CODE: **M55-60XXX42R**

CONNECTOR HEIGHT: _____
 0 = 6.25
 1 = 9.05
 2 = 13.65

TOTAL No. OF CONTACTS: _____
 12, 16, 20, 26,
 32, 40, 50, 68, 80

SPECIFICATIONS:

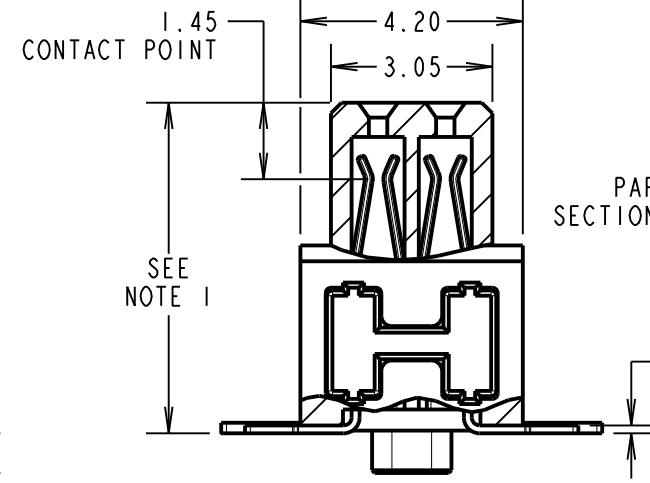
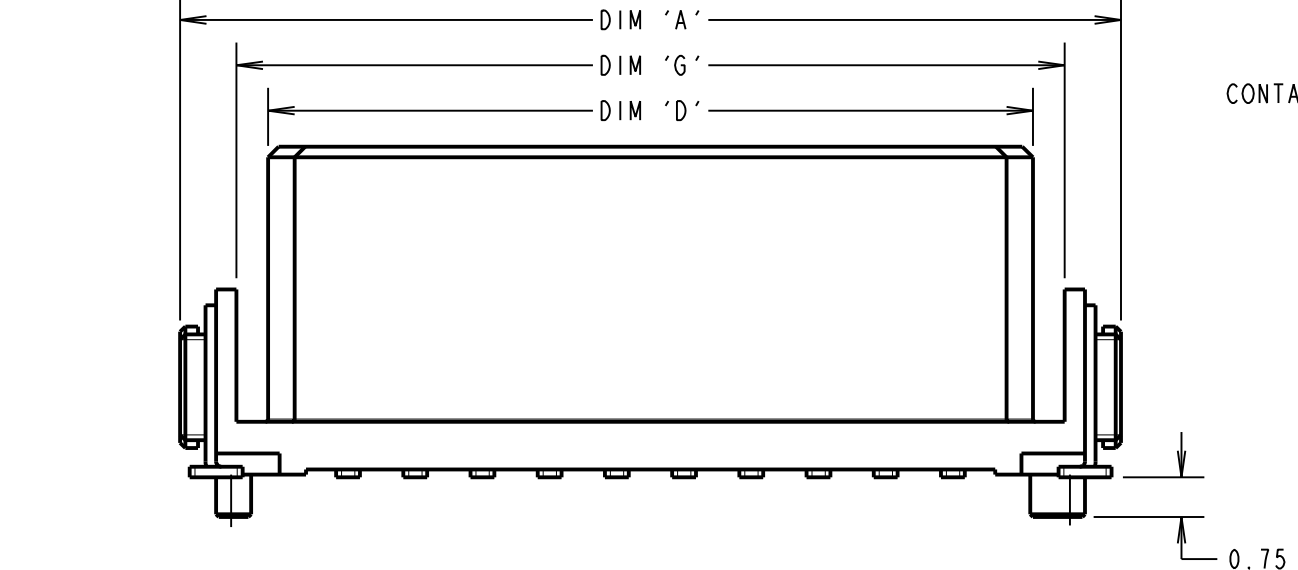
MATERIAL:
 MOULDING & CAP = HIGH TEMP, LCP, UL94V-0
 CONTACT = PHOSPHOR BRONZE
 RETAINING STRAP = BRASS

PLATING:
 CONTACT = 0.025µm MIN GOLD OVER
 2.03µm MIN NICKEL ON CONTACT AREA,
 2.54µm MIN TIN OVER
 1.27µm MIN NICKEL ON TAILS
 RETAINING STRAP = 2.45µm MIN TIN OVER
 1.01µm MIN NICKEL

ELECTRICAL:
 CURRENT RATING = 1.2A MAX
 CONTACT RESISTANCE = 25mΩ MAX
 INSULATION RESISTANCE = 10GΩ MIN
 VOLTAGE RATING = 100V AC
 VOLTAGE PROOF = 500V AC FOR 1 MIN

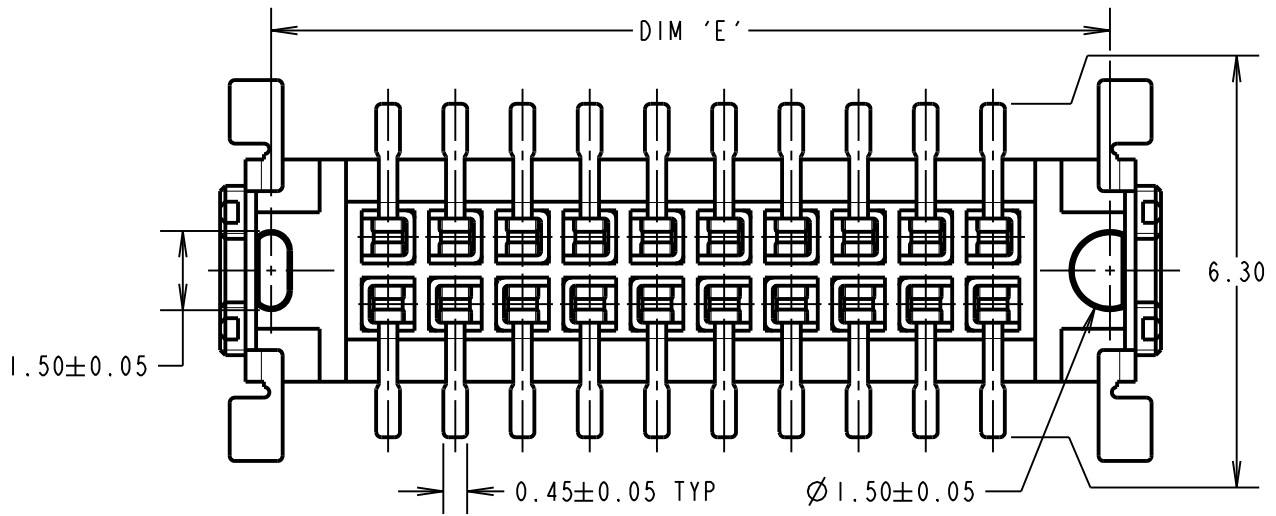
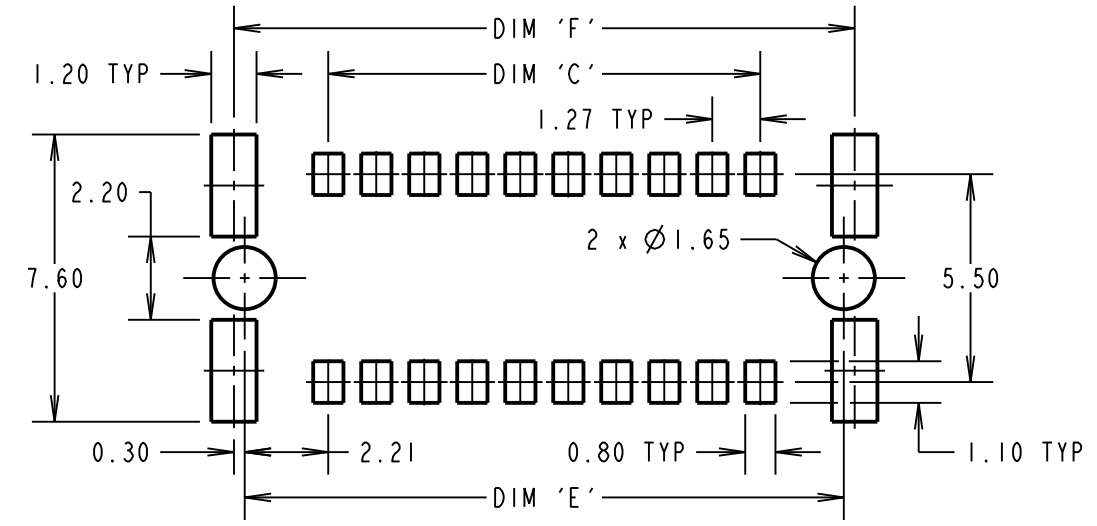
MECHANICAL:
 INSERTION FORCE = 0.8N MAX PER CONTACT
 WITHDRAWAL FORCE = 0.2N MIN PER CONTACT
 DURABILITY = 500 CYCLES

ENVIRONMENTAL:
 TEMPERATURE RANGE = -55°C TO +125°C



0.15±0.02	0.10	12 - 50 CONTACTS
0.15	0.15	68 - 80 CONTACTS

RECOMMENDED PCB LAYOUT (TOLERANCE = ±0.05)



- NOTES:
- SEE ORDER CODE AND SHEET 5 FOR CONNECTOR HEIGHT AND CAP DETAILS.
 - FOR TAPE AND REEL DETAILS, SEE SHEET 6.
 - ALL TOLERANCES ARE ±0.20, UNLESS OTHERWISE STATED.
 - FOR COMPLETE SPECIFICATION SEE COMPONENT SPECIFICATION C047XX (LATEST ISSUE).

HARWIN

www.harwin.com
 technical@harwin.com

THIS DRAWING AND ANY INFORMATION OR DESCRIPTIVE MATTER SET OUT HEREON ARE CONFIDENTIAL AND COPYRIGHT PROPERTY OF THE HARWIN GROUP AND MUST NOT BE DISCLOSED, LOANED, COPIED OR USED FOR MANUFACTURING, TENDERING OR FOR ANY OTHER PURPOSE WITHOUT THEIR WRITTEN PERMISSION.

TOLERANCES
 X = ±1mm
 X.X = ±0.50mm
 X.XX = ±0.10mm
 X.XXX = ±0.01mm
 ANGLES = ±5°
 UNLESS STATED

MATERIAL: SEE ABOVE

FINISH: SEE ABOVE

S/AREA: mm²

TITLE: 1.27mm PITCH VERTICAL FEMALE CONNECTOR

DRAWING NUMBER: **M55-60XXX42R**

SHT 4 OF 6

FM	5	25.04.18	21181
NAME	ISS.	DATE	C/NOTE
APPROVED:		F.MCGOWAN	
CHECKED:		S.BENNETT	
DRAWN:		M.PERREN	
CUSTOMER REF.:			
ASSEMBLY DRG:			

Customer Information Sheet

DRAWING No.: M55-60XXX42R

IF IN DOUBT - ASK

©

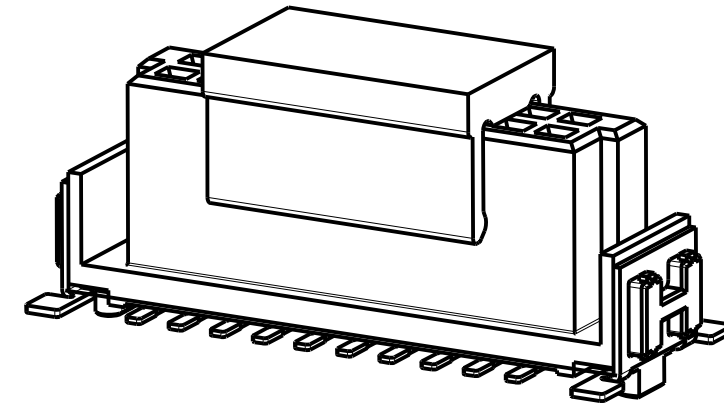
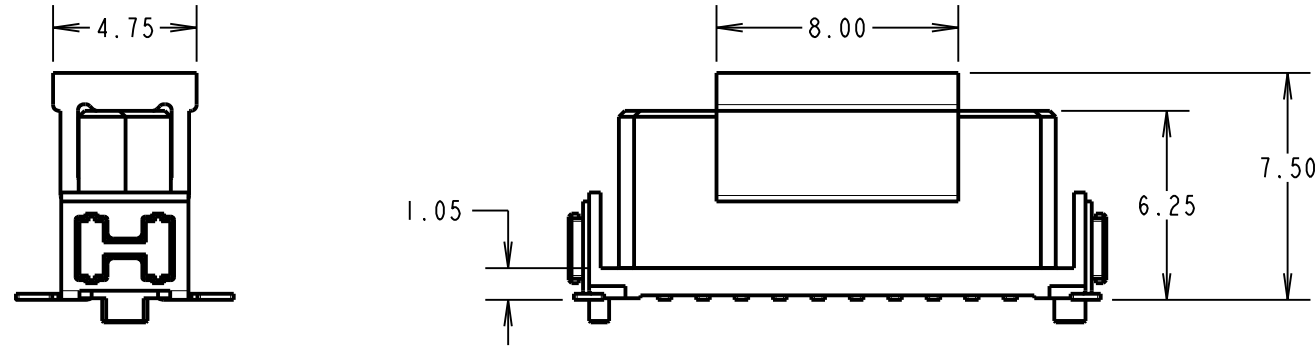
NOT TO SCALE

THIRD ANGLE PROJECTION

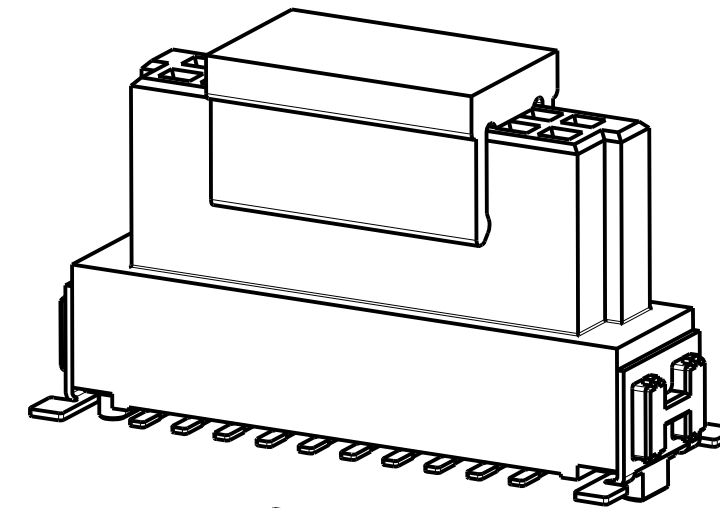
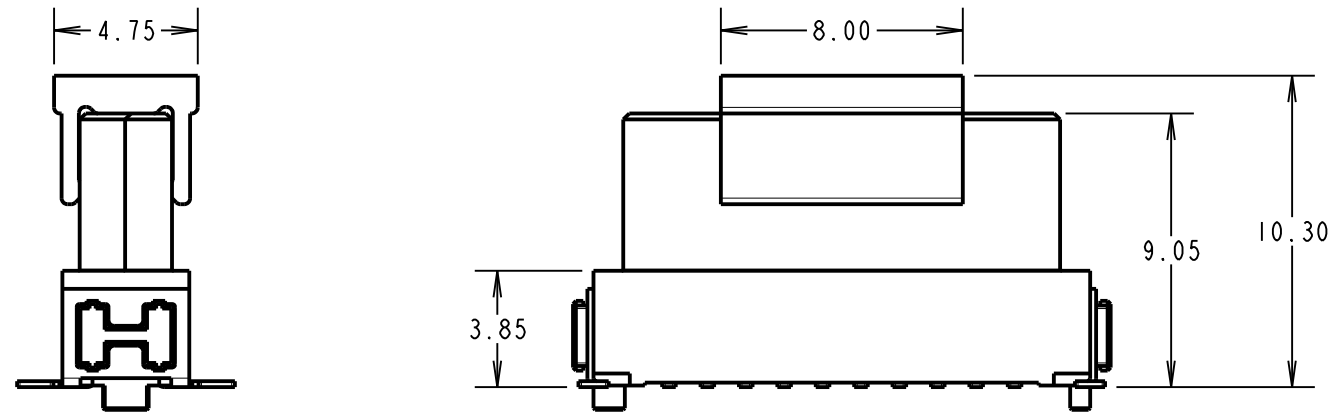
ALL DIMENSIONS IN mm

CONNECTOR HEIGHT DETAILS

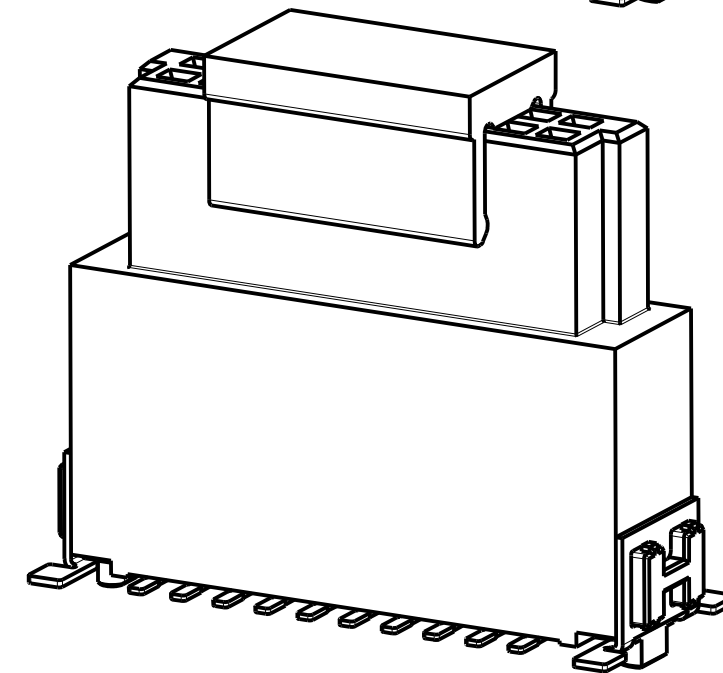
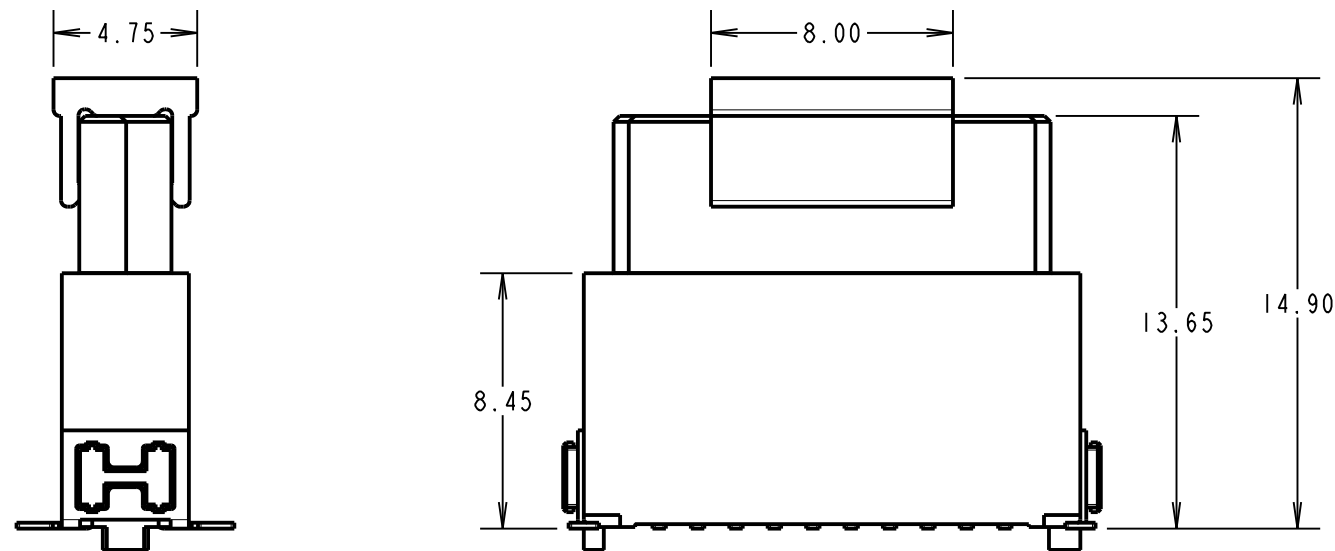
M55-600XX42R



M55-601XX42R



M55-602XX42R



FM	5	25.04.18	21181
NAME	ISS.	DATE	C/NOTE
APPROVED:		F.MCGOWAN	
CHECKED:		S.BENNETT	
DRAWN:		M.PERREN	
CUSTOMER REF.:			
ASSEMBLY DRG:			

NOTES:
1. ALL TOLERANCES ARE ± 0.20 , UNLESS OTHERWISE STATED.

HARWIN

www.harwin.com
technical@harwin.com

THIS DRAWING AND ANY INFORMATION OR DESCRIPTIVE MATTER SET OUT HEREON ARE CONFIDENTIAL AND COPYRIGHT PROPERTY OF THE HARWIN GROUP AND MUST NOT BE DISCLOSED, LOANED, COPIED OR USED FOR MANUFACTURING, TENDERING OR FOR ANY OTHER PURPOSE WITHOUT THEIR WRITTEN PERMISSION.

TOLERANCES

X = ± 1 mm
X.X = ± 0.50 mm
X.XX = ± 0.10 mm
X.XXX = ± 0.01 mm
ANGLES = $\pm 5^\circ$
UNLESS STATED

MATERIAL:

SEE SHEET 4

FINISH: SEE SHEET 4

S/AREA:

mm²

TITLE:

1.27mm PITCH VERTICAL FEMALE CONNECTOR

DRAWING NUMBER:

M55-60XXX42R

SHT
5
OF
6

Customer Information Sheet

DRAWING No.: M55-60XXX42R

IF IN DOUBT - ASK

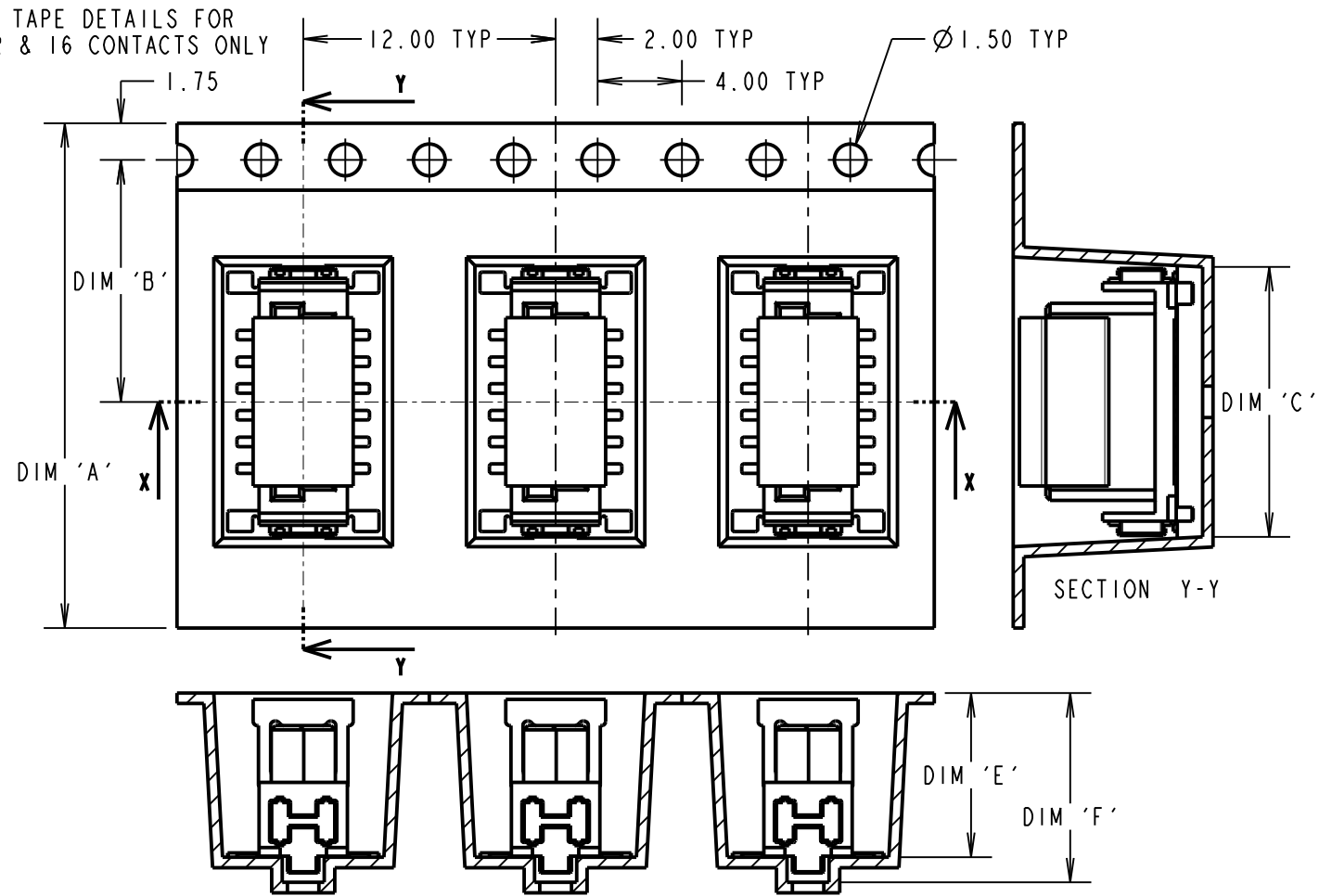
©

NOT TO SCALE

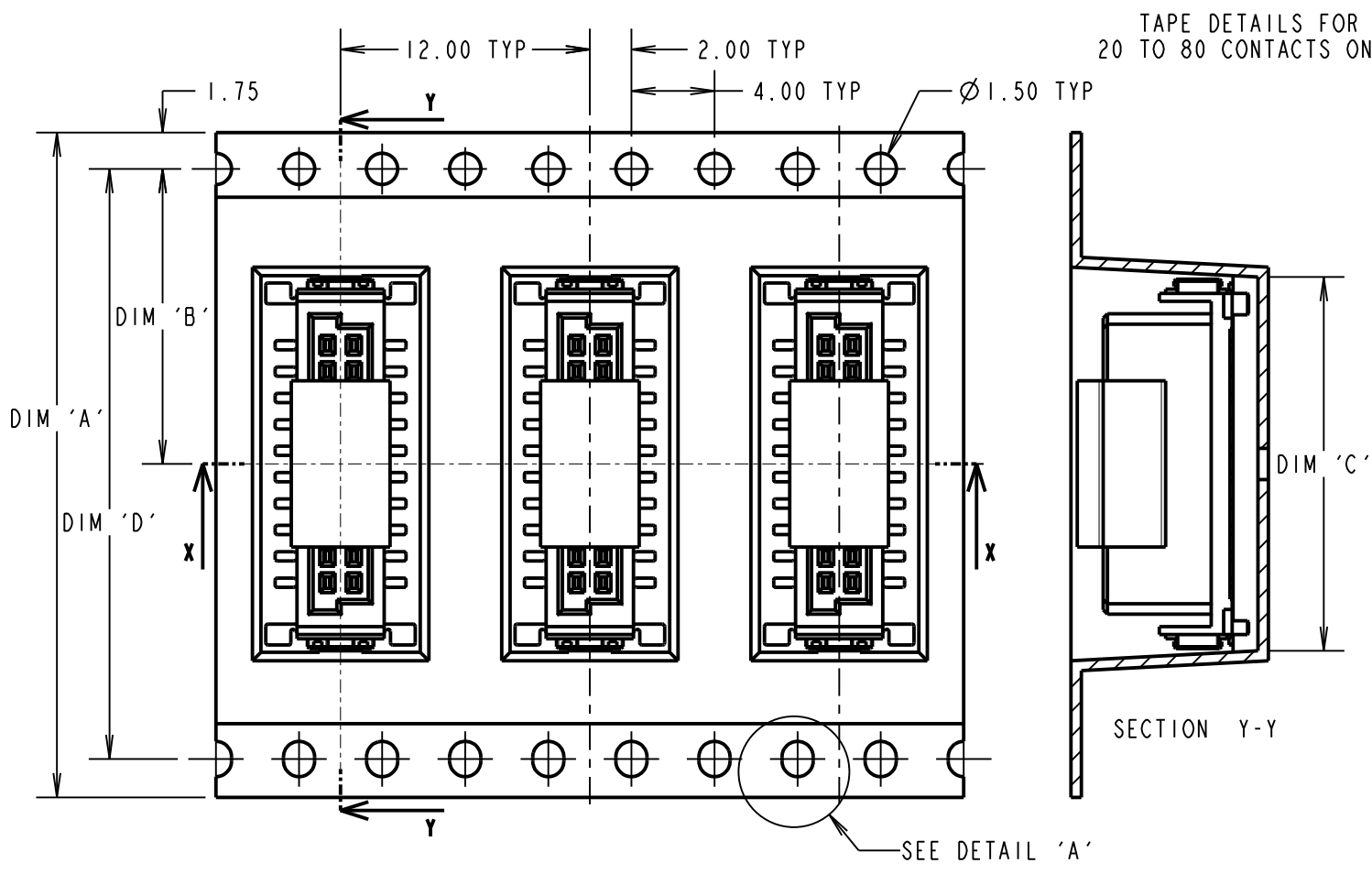
THIRD ANGLE PROJECTION

ALL DIMENSIONS IN mm

TAPE DETAILS FOR
12 & 16 CONTACTS ONLY



TAPE DETAILS FOR
20 TO 80 CONTACTS ONLY



ORDER CODE: **M55-60XXX42R**

CONNECTOR HEIGHT:
0 = 6.25
1 = 9.05
2 = 13.65

TOTAL No. OF CONTACTS:
12, 16, 20, 26,
32, 40, 50, 68, 80

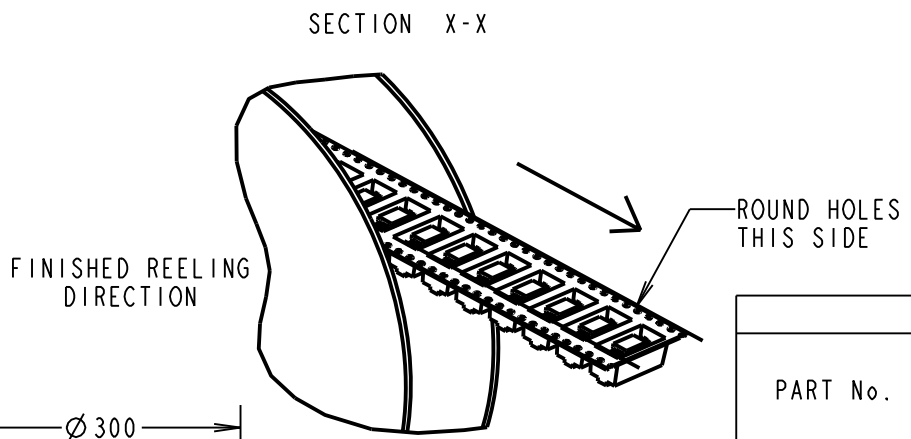


TABLE 1

PART No.	DIMENSION			
	DIM 'A' ±0.30	DIM 'B'	DIM 'C' ±0.15	DIM 'D'
M55-60X1242R	24.00	11.50	12.90	N/A
M55-60X1642R				
M55-60X2042R	32.00	14.20	18.00	28.40
M55-60X2642R				
M55-60X3242R	44.00	20.20	21.79	40.40
M55-60X4042R				
M55-60X5042R	56.00	26.20	37.03	52.40
M55-60X6842R			48.46	
M55-60X8042R	72.00	34.20	56.08	68.40

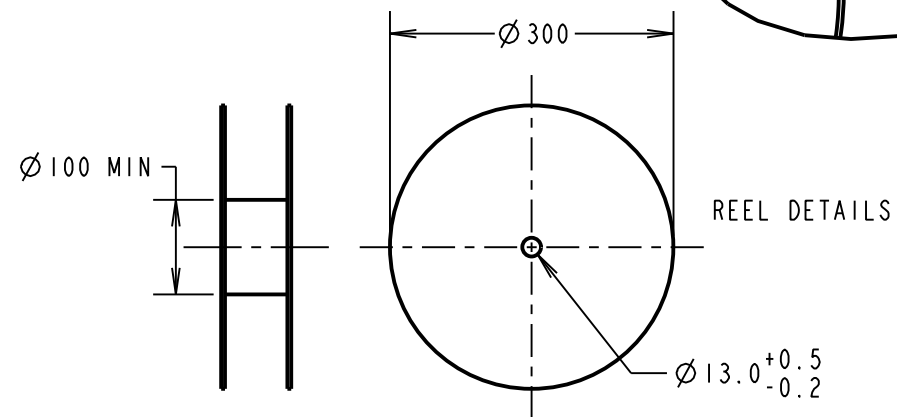
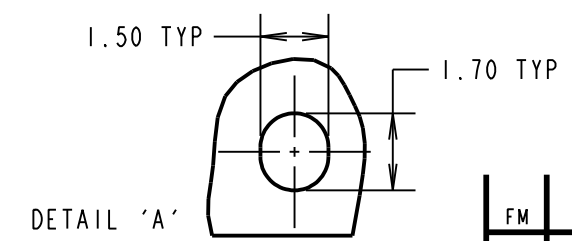


TABLE 2

PART No.	DIMENSION		PACK QTY
	DIM 'E'	DIM 'F'	
M55-600XX42R	7.8	9.0	550
M55-601XX42R	10.6	11.7	400
M55-602XX42R	15.2	16.4	200

FM	5	25.04.18	21181
NAME	ISS.	DATE	C/NOTE
APPROVED:		F.MCGOWAN	
CHECKED:		S.BENNETT	
DRAWN:		M.PERREN	
CUSTOMER REF.:			
ASSEMBLY DRG:			

NOTES:
1. PRODUCT IS TAPE AND REELED IN GENERAL ACCORDANCE WITH EIA-481 (ELECTRONIC INDUSTRIES ASSOCIATION).
2. FOR CONNECTOR DETAILS, SEESHEET 4 & 5.

HARWIN

www.harwin.com
technical@harwin.com

THIS DRAWING AND ANY INFORMATION OR DESCRIPTIVE MATTER SET OUT HEREON ARE CONFIDENTIAL AND COPYRIGHT PROPERTY OF THE HARWIN GROUP AND MUST NOT BE DISCLOSED, LOANED, COPIED OR USED FOR MANUFACTURING, TENDERING OR FOR ANY OTHER PURPOSE WITHOUT THEIR WRITTEN PERMISSION.

TOLERANCES
X. = ±1mm
X.X = ±0.50mm
X.XX = ±0.10mm
X.XXX = ±0.01mm
ANGLES = ±5°
UNLESS STATED

MATERIAL:
SEE SHEET 4

FINISH: SEE SHEET 4

S/AREA: mm²

TITLE:
1.27mm PITCH VERTICAL FEMALE CONNECTOR

DRAWING NUMBER:
M55-60XXX42R

SHT 6 OF 6