



Chipsmall Limited consists of a professional team with an average of over 10 year of expertise in the distribution of electronic components. Based in Hongkong, we have already established firm and mutual-benefit business relationships with customers from,Europe,America and south Asia,supplying obsolete and hard-to-find components to meet their specific needs.

With the principle of “Quality Parts,Customers Priority,Honest Operation,and Considerate Service”,our business mainly focus on the distribution of electronic components. Line cards we deal with include Microchip,ALPS,ROHM,Xilinx,Pulse,ON,Everlight and Freescale. Main products comprise IC,Modules,Potentiometer,IC Socket,Relay,Connector.Our parts cover such applications as commercial,industrial, and automotives areas.

We are looking forward to setting up business relationship with you and hope to provide you with the best service and solution. Let us make a better world for our industry!



Contact us

Tel: +86-755-8981 8866 Fax: +86-755-8427 6832

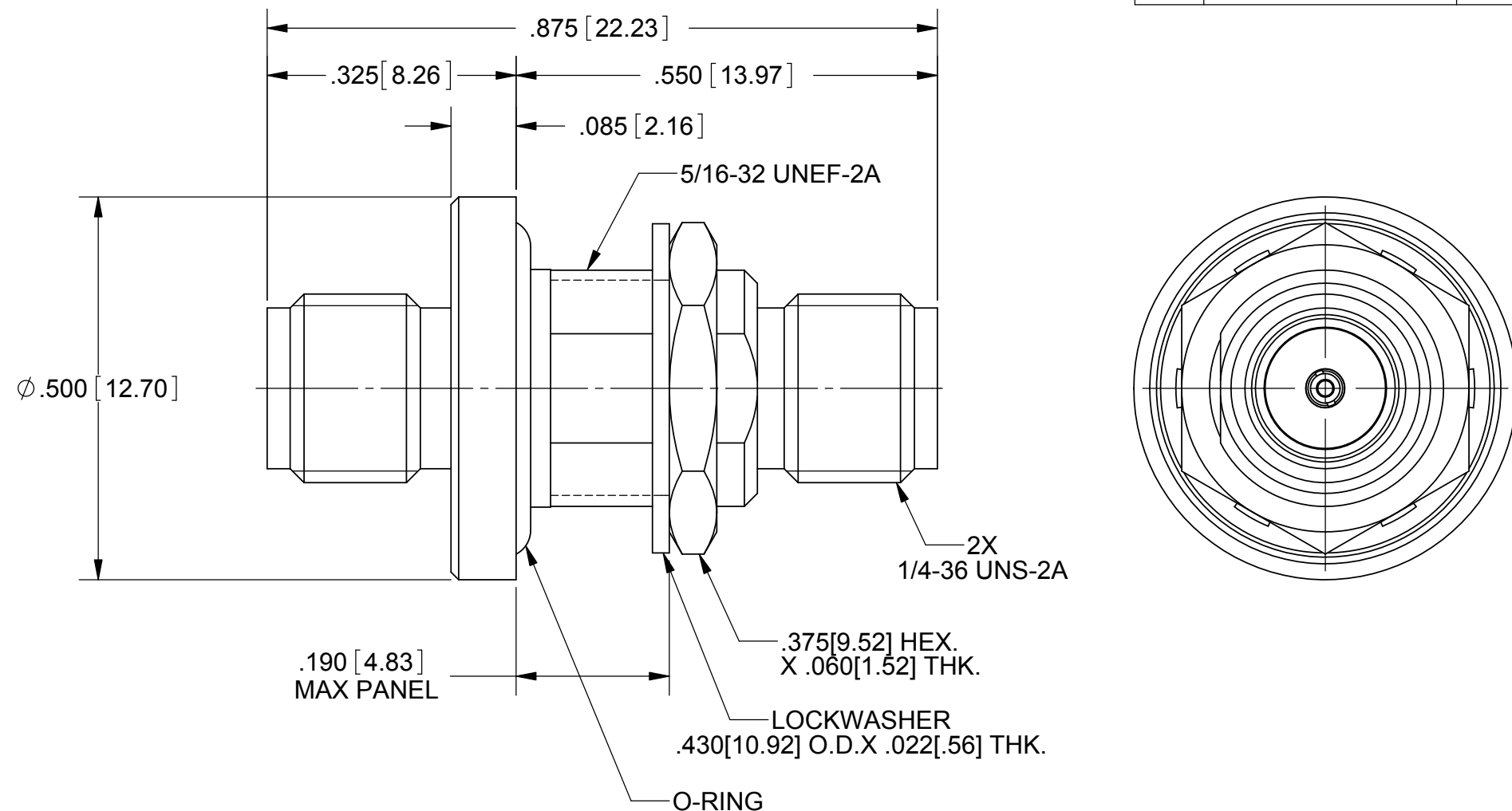
Email & Skype: info@chipsmall.com Web: www.chipsmall.com

Address: A1208, Overseas Decoration Building, #122 Zhenhua RD., Futian, Shenzhen, China



PRODUCT DATA DRAWING

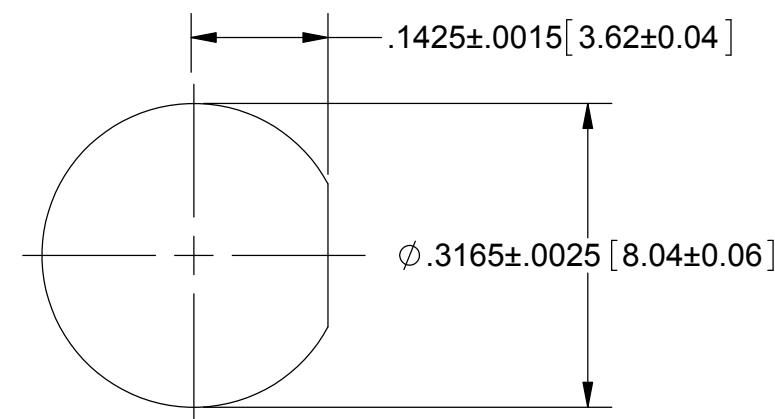
REVISION HISTORY			
REV	DESCRIPTION	DATE	APPROVED
A	REV. DCN 41174	02/23/14	STW



- MATERIAL:**
- BODY & HEX NUT:** STAINLESS STEEL PER AMS-5640, ALLOY UNS S30300, TYPE 1.
- LOCK WASHER:** 300 SERIES STAINLESS STEEL
- CONTACTS:** BERYLLIUM COPPER PER ASTM B196, ALLOY No. UNS C17300, TD04.
- PIN:** KOVAR PER ASTM-F15, UNS ALLOY No. K94610.
- INSULATORS:** PTFE PER ASTM D1710, TYPE I, GRADE 1, CLASS B.
- O-RING:** SILICONE RUBBER PER A-A-59588, CLASS 2B, GRADE 60/70
- GLASS BEAD:** EN-1 OR EQUIVALENT SOLID GLASS
- FINISH:**
- BODY, HEX NUT, & LOCK WASHER:** PASSIVATED PER AMS-2700
- CONTACTS:** GOLD PER ASTM B488, TYPE II, CODE C, CLASS 1.27 OVER NICKEL PER AMS-QQ-N-290, CLASS 1, .00005" MIN.

PERFORMANCE:F

- IMPEDANCE:** 50 OHMS
- FREQ. RANGE:** DC TO 12.4 GHZ
- DWV:** 1000 VRMS
- INSUL. RESISTANCE:** 5000 MEGOHMS
- VSWR:** 1.10+.015XF(F IN GHZ)
- INSERTION LOSS:** .15 X SQRT F(F IN GHZ) @ 6 GHZ
- LEAK RATE:** 1 X 10⁻⁷ CC/SEC
- OPER. TEMPERATURE:** -65 TO +165 °C



RECOMMENDED MOUNTING HOLE

MATERIAL: SEE NOTES	DIMENSIONS ARE IN INCHES TOLERANCES: FRACTIONAL: ±1/64 ANGULAR: X° ±1'0" X"X' ±15'	UNLESS OTHERWISE SPECIFIED 1) ALL DIMENSIONS ARE IN INCHES (MILLIMETERS) 2) ALL DIMENSIONS ARE AFTER PLATING. 3) BREAK CORNERS & EDGES .005 R. MAX. 4) CHAM. 1ST & LAST THREADS. 5) SURFACE ROUGHNESS 63-MIL-STD-10. 6) DIA.'S ON COMMON CENTERS TO BE CONCENTRIC WITHIN .005 T.I.R. 7) REMOVE ALL BURRS	SV Microwave, Inc. 2400 Centrepark West Drive, Suite 100 West Palm Beach, FL 33409
FINISH: SEE NOTES	DECIMAL: X ±.030 .XX ±.010 .XXX ±.005	INTERPRET DIMENSIONS AND TOLERANCES PER ASME Y14.5M - 1994	TITLE: SMA JACK TO JACK BULKHEAD ADAPTER HERMETIC SEAL
SURFACE AREA: N/A	THIRD ANGLE PROJECTION	DRAWN: RPA 02/17/86	SIZE: B CAGE CODE: 95077 DWG. NO.: M55339/28-30001
PROPRIETARY THE INFORMATION CONTAINED IN THIS DRAWING IS THE SOLE PROPERTY OF SV MICROWAVE, INC. ANY REPRODUCTION IN PART OR AS A WHOLE WITHOUT THE WRITTEN PERMISSION OF SV MICROWAVE, INC IS PROHIBITED.		CHECKED: JMC 02/23/15	SCALE: 5:1
		APPROVED: ND 02/27/86	SHEET 1 OF 1