



Chipsmall Limited consists of a professional team with an average of over 10 year of expertise in the distribution of electronic components. Based in Hongkong, we have already established firm and mutual-benefit business relationships with customers from,Europe,America and south Asia,supplying obsolete and hard-to-find components to meet their specific needs.

With the principle of "Quality Parts,Customers Priority,Honest Operation,and Considerate Service",our business mainly focus on the distribution of electronic components. Line cards we deal with include Microchip,ALPS,ROHM,Xilinx,Pulse,ON,Everlight and Freescale. Main products comprise IC,Modules,Potentiometer,IC Socket,Relay,Connector.Our parts cover such applications as commercial,industrial, and automotives areas.

We are looking forward to setting up business relationship with you and hope to provide you with the best service and solution. Let us make a better world for our industry!



## Contact us

Tel: +86-755-8981 8866 Fax: +86-755-8427 6832

Email & Skype: info@chipsmall.com Web: www.chipsmall.com

Address: A1208, Overseas Decoration Building, #122 Zhenhua RD., Futian, Shenzhen, China





## MEAS M5600

### Wireless Pressure Transducer

- ◆ Digital 24-bit ADC Output, I<sup>2</sup>C Protocol
- ◆ Bluetooth® 4.0 Wireless Connection
- ◆ CE Compliant with a Variety of Pressure Ports
- ◆ Compact and Battery Powered [CR2050 or CR2032]
- ◆ Optional Stainless Steel Snubber
- ◆ Weatherproof (IP66/IP67)
- ◆ FCC Certified
- ◆ Stainless Steel and Polycarbonate Enclosure
- ◆ Gage, Sealed, Compound
- ◆ iOS, Android™ and Windows® XP/7+ Compatible

#### Features

- ◆ Heavy Industrial CE Approval
- ◆ 10 V/m EMI Protection
- ◆ ±0.25% Pressure Accuracy
- ◆ ±1.0% Total Error Band
- ◆ ±3°C Temperature Output Accuracy
- ◆ -10°C to +60°C Compensating Temperature
- ◆ -20°C to +85°C Operating Temperature

#### Applications

- ◆ Industrial Process Control and Monitoring
- ◆ Advanced HVAC Systems
- ◆ Refrigeration Systems
- ◆ Automotive Test Stands
- ◆ Off-Road Vehicles
- ◆ Pumps and Compressors
- ◆ Hydraulic/Pneumatic Systems
- ◆ Agriculture Equipment
- ◆ Energy Generation and Management
- ◆ Pool/Spa Pump Monitoring

The modular M5600 wireless pressure transducer from our Microfused line is enclosed in a stainless steel and polycarbonate housing. This high accuracy, 24-bit ADC digital output wireless transducer eliminates hard wiring and provides remote process control and monitoring via Bluetooth® 4.0 Wireless Communication. This series is suitable for measurement of liquid or gas pressure, even for difficult media such as contaminated water, steam, and mildly corrosive fluids.

The wetted material of the pressure port is made of 316L stainless steel and the transducer's durability is excellent with no o-rings or organics exposed to the pressure media. The M5600 is weatherproof and exceeds the latest heavy industrial CE requirements.

This product is geared to the OEM customer for mid to high volumes. TE stands ready to provide a custom design of the M5600 where the volume and application warrants. Additional configurations not listed are available. Please inquire for further information.

## M5600

### Wireless Pressure Transducer

## Standard Ranges

| Range (psi) | Range (Bar) | Gage | Sealed | Compound |
|-------------|-------------|------|--------|----------|
| 0 to 050    | 0 to 3.5    | *    |        | *        |
| 0 to 100    | 0 to 007    | *    |        | *        |
|             | 0 to 010    | *    |        | *        |
| 0 to 200    |             | *    |        | *        |
| 0 to 300    | 0 to 020    | *    |        | *        |
| 0 to 500    | 0 to 035    | *    |        | *        |
| 0 to 01k    | 0 to 070    | *    | *      | *        |
| 0 to 03k    | 0 to 200    | *    | *      | *        |
| 0 to 05k    | 0 to 350    | *    | *      | *        |
| 0 to 10k    | 0 to 700    | *    | *      | *        |
| 0 to 15k    | 0 to 01k    | *    | *      | *        |

Intermediate ranges available upon request.

## Performance Specifications

**Ambient Temperature: 25°C (unless otherwise specified)** For custom configurations, consult factory.

| Parameters                   | Min   | Typ | Max     | Units       | Notes   |
|------------------------------|---|-----|---------|-------------|---|
| Supply Voltage               | 2.3   | 3   | 3.6     | Vdc         | Replaceable CR2050 battery                      |
| Accuracy                     | -0.25   |     | 0.25    | %F.S.       | RSS of linearity, hysteresis, and repeatability |
| Temperature Output Accuracy  | -3  |     | 3       | °C          |   |
| Output Protocol              | Digital I <sup>2</sup> C  |     |         |             |   |
| Resolution                   | 24  |     |         | Bit         |   |
| Endurance                    | 1.00E+6   |     |         | 0~FS Cycles |   |
| Stability                    | -0.25   |     | 0.25    | %F.S./year  |   |
| Total Error Band             | -1  |     | 1       | %F.S.       | @25°C over compensated range                    |
| Proof Pressure               | 2X  |     | 20k psi | Rated       |   |
| Burst Pressure               | 3X  |     | 20k psi | Rated       |   |
| Compensated Temperature      | -10   |     | +60     | °C          |   |
| Operating Temperature        | -20   |     | +85     | °C          | with battery                                    |
| Storage Temperature          | -40   |     | +120    | °C          | without battery                                 |
| Wireless Protocol            | Bluetooth® 4.0 Wireless Connection or above   |     |         |             |   |
| Receiver Operating System    | Android™ 4.3 or above, iOS 7 or above, Windows® XP/7 or above   |     |         |             |   |
| Signal Pairing Distance      | 65 feet   |     |         |             |   |
| Signal Transmission Distance | 65 feet affected by receiver antenna and blocking objects   |     |         |             |   |
| Battery Life                 | 2-years typical CR2050 350mAH battery, 1-year typical CR2032 210mAH battery; 5 second transmission interval |     |         |             |   |
| Low Battery Warning          | 2.5Vdc, red battery symbol in app   |     |         |             |   |
| Weatherproof                 | IP66 & IP67   |     |         |             |   |
| Pressure Port Material       | 17-4P Stainless Steel Port, 316L Stainless Steel Snubber  |     |         |             |   |
| Enclosure                    | Stainless Steel and Polycarbonate   |     |         |             |   |
| Shock                        | 50g, 11msec Half Sine Shock per MIL-STD-202G, Method 213B, Condition A                                      |     |         |             |   |
| Vibration                    | ±20g, MIL-STD-810C, Procedure 514.2, Fig 514.2-2, Curve L   |     |         |             |   |

### Note:

Battery life depends on its capacity, operating temperature and signal transmission interval.

Sony Battery CR2050W or CR2032W offers high operating temperature up to 125°C.

Temperature can impact battery capacity retention even in idle. Check battery specifications for more details.

Factory default data transmission rate is 5sec, which can be adjusted from 100msec to 5sec in smartphone app or PC software.

## M5600

Wireless Pressure Transducer

### Compliances

EN 55022 Emissions Class A & B

IEC 61000-4-2 Electrostatic Discharge Immunity (4kV contact/8kV air)

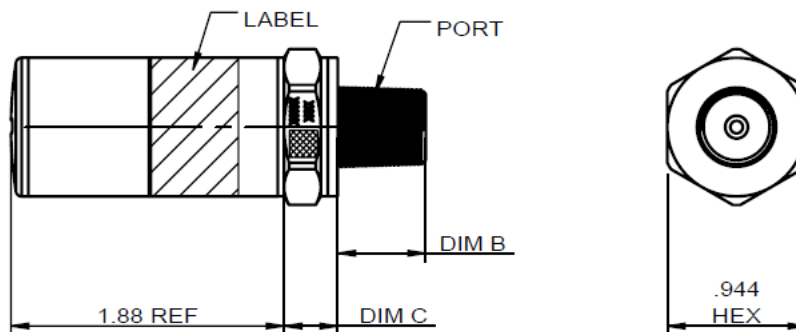
IEC 61000-4-3 Radiated, Radio-Frequency Electromagnetic Field Immunity (10V/m, 80M-1GHz); deviation <1.5%

RoHS

FCC

Bluetooth®

### Dimensions [mm]



| Code | Port  | Dim B         | Dim C Ref.   |
|------|---|---------------|--------------|
| 2    | 1/4-19 BSPP   | 0.472 [11.94] | 0.366 [9.3]  |
| 3    | G3/8 JIS B2351  | 0.540 [13.72] | 0.366 [9.3]  |
| 4    | 7/16-20UNF MALE SAE J1926-2 STRAIGHT THREAD<br>O-RING BUNA-N 90SH-904       | 0.433 [11.0]  | 0.366 [9.3]  |
| 5    | 1/4-18 NPT  | 0.600 [15.24] | 0.366 [9.3]  |
| 6    | 1/8-27 NPT  | 0.390 [9.91]  | 0.366 [9.3]  |
| B    | G1/4 JIS B2351  | 0.472 [11.94] | 0.366 [9.3]  |
| E    | 1/4-19 BSPT   | 0.500 [12.7]  | 0.366 [9.3]  |
| F    | 1/4-19 BSPP FEMALE<br>(without snubber)                                     | 0.771 [19.58] | 0.366 [9.3]  |
| P    | 7/16-20UNF FEMALE SAE J513 STRAIGHT THREAD<br>WITH INTEGRAL VALVE DEPRESSOR | 0.687 [17.5]  | 0.366 [9.3]  |
| Q    | M10 x 1.0 mm ISO 6149-2   | 0.374 [9.5]   | 0.366 [9.3]  |
| N    | 7/16-20UNF FEMALE SAE J513 STRAIGHT<br>THREAD                               | 0.687 [17.5]  | 0.366 [9.3]  |
| S    | M12 x 1.5 mm ISO 6149-2   | 0.433 [11.0]  | 0.366 [9.3]  |
| U    | G/14 DIN 3852 FORM E GASKET DIN3869-14 NBR                                  | 0.472 [11.94] | 0.445 [11.3] |
| W    | M20 x 1.5 mm ISO 6149-2   | 0.551 [14.0]  | 0.366 [9.3]  |
| G    | M14 x 1.5 mm ISO 6149-2   | 0.433 [11.0]  | 0.366 [9.3]  |

# M5600

Wireless Pressure Transducer

## How to Operate

Please refer to the [M5600 U5600 Installation Manual](#) and [M5600 U5600 Software Manual](#).

**Note:** Communication is max 65 feet

## Ordering Information

| M56   | 00 | - | 0          | 0   | 0 | 2   | 0                                       | 5   | - | 100P   | G  |  |
|-------|----|---|------------|---|---|---|---|---|---|--|--|--|
| Model | 00 | - | 0          | Snubber   | 0 | Battery   | Label                                   | Pressure Port   | - | Pressure Range   | Pressure Type  |  |
| M56   | 00 | - | 0 = 17-4PH | 0 = No Selection<br>1 = Oxygen Clean B40.1 Level IV<br>2 = With Snubber | 0 | 0 = Without Battery<br>1 = CR2032<br>2 = CR2050 | 0 = Adhesive Label<br>1 = Laser Marking | 2 = 1/4-19 BSPP<br>3 = G3/8 JIS B2351<br>4 = 7/16-20UNF Male SAE<br>J1926-2 Straight Thread O-Ring BUNA-N 90SH-904<br>5 = 1/4-18 NPT<br>6 = 1/8-27NPT<br>B = G1/4 JIS B2351<br>E = 1/4-19 BSPT<br>F = 1/4-19 BSPP Female<br>P = 7/16-20UNF Female SAE<br>J513 Straight Thread with Integral Valve Depressor<br>Q = M10 x 1.0 mm ISO 6149-2<br>N = 7/16-20UNF FEMALE SAE<br>J513 Straight Thread<br>S = M12 x 1.5 mm ISO 6149-2<br>U = G1/4 DIN 3852 Form E<br>Gasket DIN3869-14 NBR<br>W = M20 x 1.5 mm ISO 6149-2<br>G = M14 x 1.5 mm ISO 6149-2 | - | 050P<br>100P<br>200P<br>300P<br>500P<br>01KP<br>03KP<br>05KP<br>07KP<br>10KP<br>15KP | 3.5B<br>007B<br>010B<br>020B<br>035B<br>070B<br>200B<br>350B<br>500B<br>700B<br>01KB | G = Gage<br>S = Sealed<br>C = Compound |

**Note:** Compound pressure range is -14.7 to xxxpsig or -1 to xxxbarg. (e.g. 200PC: -14.7 to 200psig, 020BC: -1 to 20barg)

### NORTH AMERICA

Measurement Specialties, Inc.,  
a TE Connectivity company  
45738 Northport Loop West  
Fremont, CA 94538  
Tel: +1 800 767 1888  
Fax: +1 510 498 1578  
[customercare.frm@te.com](mailto:customercare.frm@te.com)

### EUROPE

MEAS France SAS,  
a TE Connectivity company  
4 Rue Gaye Marie  
31027 Toulouse, France  
Tel: +33 (5) 822 822 00  
Fax: +33 (5) 820 821 51  
[customercare.tlse@te.com](mailto:customercare.tlse@te.com)

### ASIA

Measurement Specialties (China) Ltd.,  
a TE Connectivity company  
No. 26 Langshan Road  
Shenzhen High-Tech Park (North) Nanshan District,  
Shenzhen, 518057  
China  
Tel: +86 755 3330 5088  
Fax: +86 755 3330 5099  
[customercare.shzn@te.com](mailto:customercare.shzn@te.com)

### te.com/sensorsolutions

Android is a trademark of Google Inc.  
Google Play is a trademark of Google Inc.

iOS is a trademark or registered trademark of Cisco in the U.S. and other countries and is used under license.

Microsoft, Encarta, MSN, and Windows are either registered trademarks or trademarks of Microsoft Corporation in the United States and/or other countries.

Android and Windows are trademarks of their respective owners.

The Bluetooth® word mark and logos are registered trademarks owned by the Bluetooth SIG, Inc. and any use of such marks by TE Connectivity is under license. Other trademarks and trade names are those of their respective owners.

Measurement Specialties Inc., a TE Connectivity company.

Microfused, Measurement Specialties (MEAS), American Sensor Technologies (AST), TE Connectivity, TE Connectivity (logo) and EVERY CONNECTION COUNTS are trademarks. All other logos, products and/or company names referred to herein might be trademarks of their respective owners.

The information given herein, including drawings, illustrations and schematics which are intended for illustration purposes only, is believed to be reliable. However, TE Connectivity makes no warranties as to its accuracy or completeness and disclaims any liability in connection with its use. TE Connectivity's obligations shall only be as set forth in TE Connectivity's Standard Terms and Conditions of Sale for this product and in no case will TE Connectivity be liable for any incidental, indirect or consequential damages arising out of the sale, resale, use or misuse of the product. Users of TE Connectivity products should make their own evaluation to determine the suitability of each such product for the specific application.

© 2016 TE Connectivity Ltd. family of companies All Rights Reserved.