



Chipsmall Limited consists of a professional team with an average of over 10 year of expertise in the distribution of electronic components. Based in Hongkong, we have already established firm and mutual-benefit business relationships with customers from,Europe,America and south Asia,supplying obsolete and hard-to-find components to meet their specific needs.

With the principle of “Quality Parts,Customers Priority,Honest Operation,and Considerate Service”,our business mainly focus on the distribution of electronic components. Line cards we deal with include Microchip,ALPS,ROHM,Xilinx,Pulse,ON,Everlight and Freescale. Main products comprise IC,Modules,Potentiometer,IC Socket,Relay,Connector.Our parts cover such applications as commercial,industrial, and automotives areas.

We are looking forward to setting up business relationship with you and hope to provide you with the best service and solution. Let us make a better world for our industry!



## Contact us

Tel: +86-755-8981 8866 Fax: +86-755-8427 6832

Email & Skype: info@chipsmall.com Web: www.chipsmall.com

Address: A1208, Overseas Decoration Building, #122 Zhenhua RD., Futian, Shenzhen, China

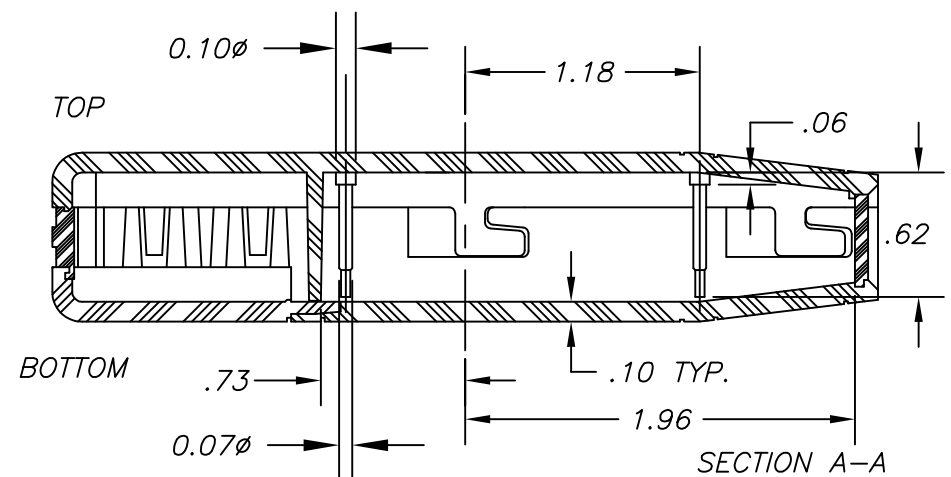
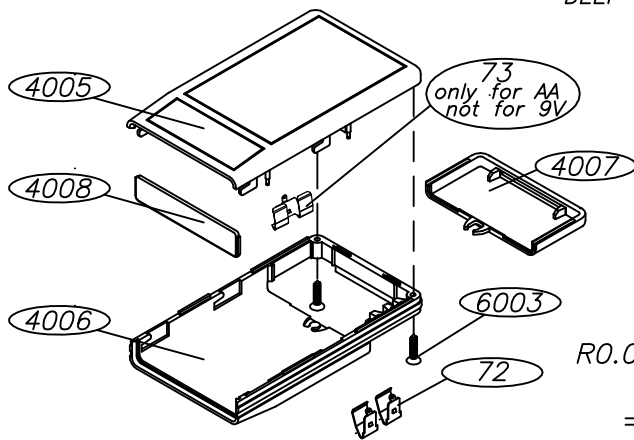
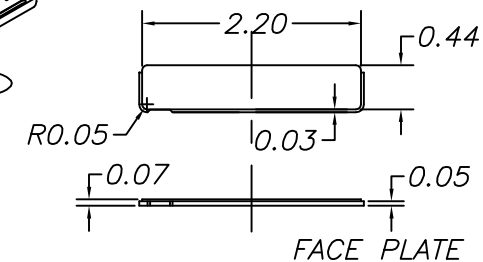
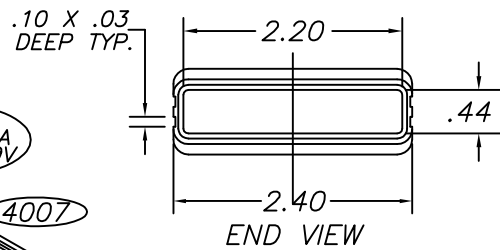
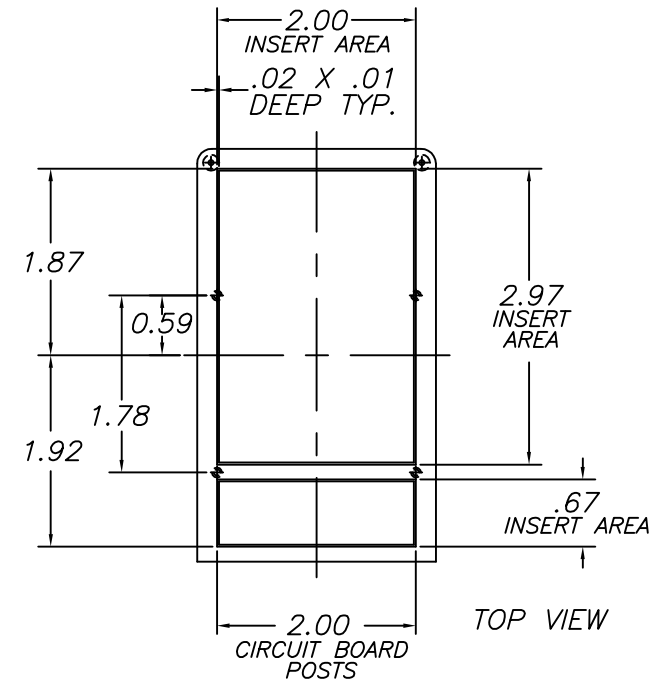
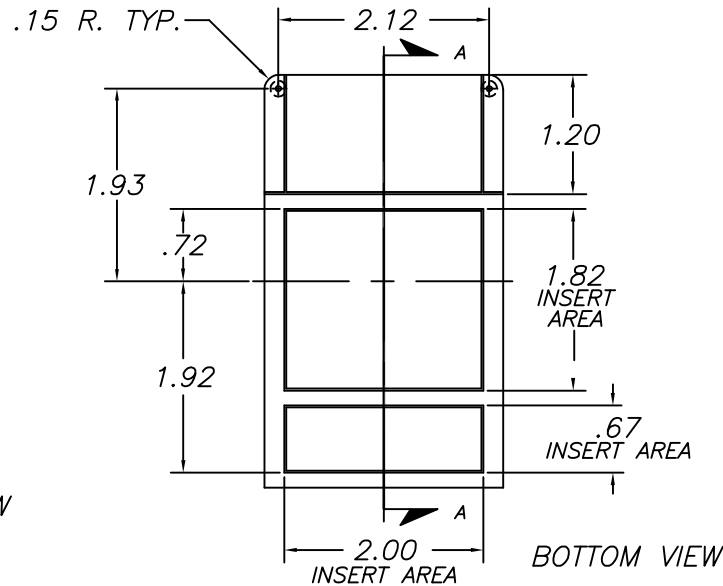
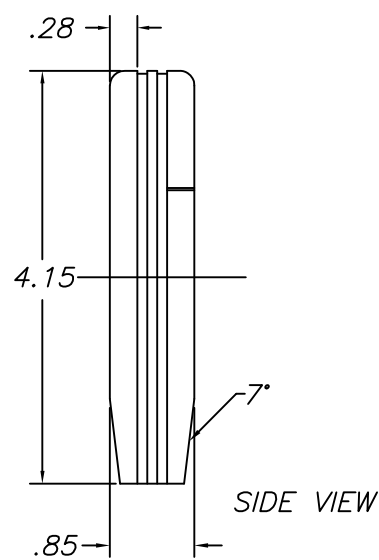


# SERPAC M6

Electronics Enclosures

NOTES:

1. WHEN MACHINE OR I PLATES MODIFICATIONS ARE REQUIRED, USE THE CENTER OF THE ENCLOSURE TO DIMENSION.



6/14/10

ALL DIMENSIONS ± .010

PART NO.	DESCRIPTION	ACCESSORIES	
PART NO.	DESCRIPTION	PART NO.	DESCRIPTION
4005	PLASTIC TOP	4008CL	CLEAR FACE PLATE
4008	PLASTIC FACE PLATE	4008IR	INFARED FACE PLATE
4006	PLASTIC BOTTOM	4008R	RED FACE PLATE
73	BATTERY CONTACT (AA only)	1030	PLASTIC POCKET CLIP
4007	PLASTIC BATTERY COVER		
6003	SCREWS (2)		
72	BATTERY CONTACT (2)		

2009 Wright Ave. La Verne, CA 91750

(626) 331-0517 Fax (626) 331-8584 <http://www.serpac.com>