



Chipsmall Limited consists of a professional team with an average of over 10 year of expertise in the distribution of electronic components. Based in Hongkong, we have already established firm and mutual-benefit business relationships with customers from,Europe,America and south Asia,supplying obsolete and hard-to-find components to meet their specific needs.

With the principle of “Quality Parts,Customers Priority,Honest Operation,and Considerate Service”,our business mainly focus on the distribution of electronic components. Line cards we deal with include Microchip,ALPS,ROHM,Xilinx,Pulse,ON,Everlight and Freescale. Main products comprise IC,Modules,Potentiometer,IC Socket,Relay,Connector.Our parts cover such applications as commercial,industrial, and automotives areas.

We are looking forward to setting up business relationship with you and hope to provide you with the best service and solution. Let us make a better world for our industry!



Contact us

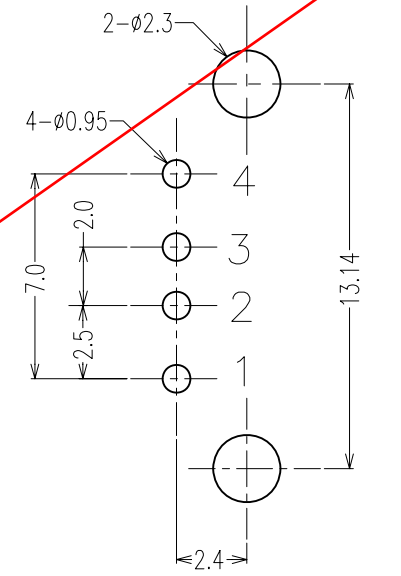
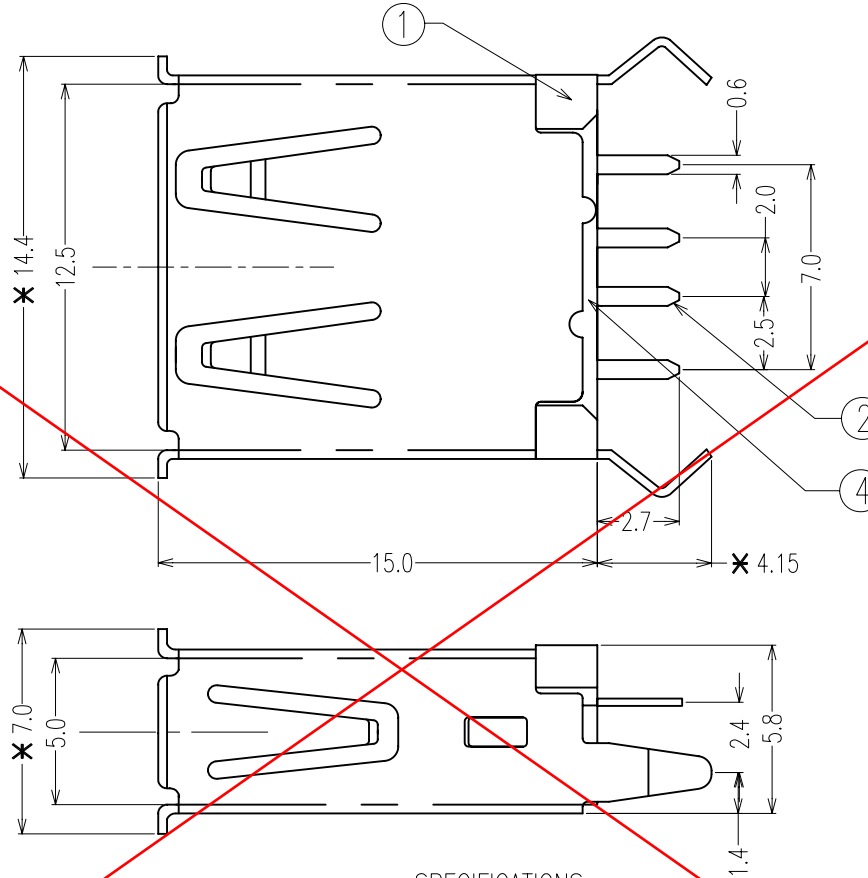
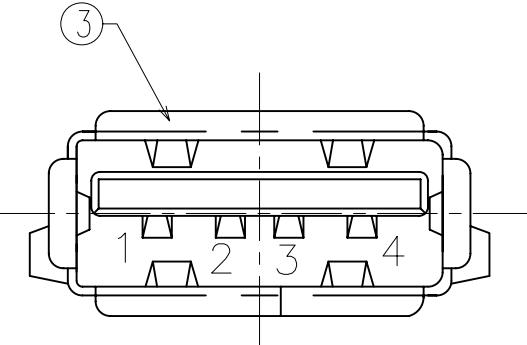
Tel: +86-755-8981 8866 Fax: +86-755-8427 6832

Email & Skype: info@chipsmall.com Web: www.chipsmall.com

Address: A1208, Overseas Decoration Building, #122 Zhenhua RD., Futian, Shenzhen, China



OBSOLETE



PCB LAYOUT (BOTTOM VIEW)

SPECIFICATIONS:

- MATERIAL:-
 ①HOUSING: P.B.T G.F, WHITE, QTY:1
 ②PIN TERMINAL: PHOSPHOR BRONZE, T=0.25mm, QTY: 4
 ③SHELL: BRASS, T=0.3mm, QTY: 1
 ④BOTTOM COVER: P.B.T G.F, WHITE, QTY: 1
 FINISH:-
 ②PIN TERMINAL: GOLD/TIN PLATED OVER NICKEL
 ③SHELL: TIN PLATED

NOTES: ALL DIMENSIONS AND NOTES MARKED * ARE CRITICAL AND MUST BE CHECKED IN ACCORDANCE WITH QUALITY DOC. Q1-02A

TOLERANCES
X.X = ±0.20mm
X.XX = ±0.10mm

NAME	ISS.	DATE	C/NOTE
Allan	1	01.08.06	-
APPROVED: _____			
CHECKED: <i>Boon</i>			
DRAWN: Allan		CUSTOMER REF.:	
ASSEMBLY DRG:			



HARWIN USA TEL: 603 893 5376 FAX: 603 893 5396 mis@harwin.com	HARWIN Europe (UK) TEL: 023 9231 4545 FAX: 023 9231 4590 mis@harwin.co.uk	HARWIN Asia TEL: +65 6 779 4909 FAX: +65 6 779 3868 mis@harwin.com.sg
--	--	--

THIS DRAWING AND ANY INFORMATION OR DESCRIPTIVE MATTER SET OUT HEREON ARE CONFIDENTIAL AND COPYRIGHT PROPERTY OF THE HARWIN GROUP AND MUST NOT BE DISCLOSED, LOANED, COPIED OR USED FOR MANUFACTURING, TENDERING OR FOR ANY OTHER PURPOSE WITHOUT THEIR WRITTEN PERMISSION.

TOLERANCES
X. = ±1mm
X.X = ±0.25mm
X.XX = ±0.10mm
X.XXX = ±0.01mm
ANGLES = ±5°
UNLESS STATED

MATERIAL:	SEE NOTES
FINISH:	SEE NOTES
S/AREA:	mm ²

TITLE:	USB A TYPE FEMALE DIP 180°
DRAWING NUMBER:	M701-240442
SHT	1 OF 1