



Chipsmall Limited consists of a professional team with an average of over 10 year of expertise in the distribution of electronic components. Based in Hongkong, we have already established firm and mutual-benefit business relationships with customers from,Europe,America and south Asia,supplying obsolete and hard-to-find components to meet their specific needs.

With the principle of "Quality Parts,Customers Priority,Honest Operation,and Considerate Service",our business mainly focus on the distribution of electronic components. Line cards we deal with include Microchip,ALPS,ROHM,Xilinx,Pulse,ON,Everlight and Freescale. Main products comprise IC,Modules,Potentiometer,IC Socket,Relay,Connector.Our parts cover such applications as commercial,industrial, and automotives areas.

We are looking forward to setting up business relationship with you and hope to provide you with the best service and solution. Let us make a better world for our industry!



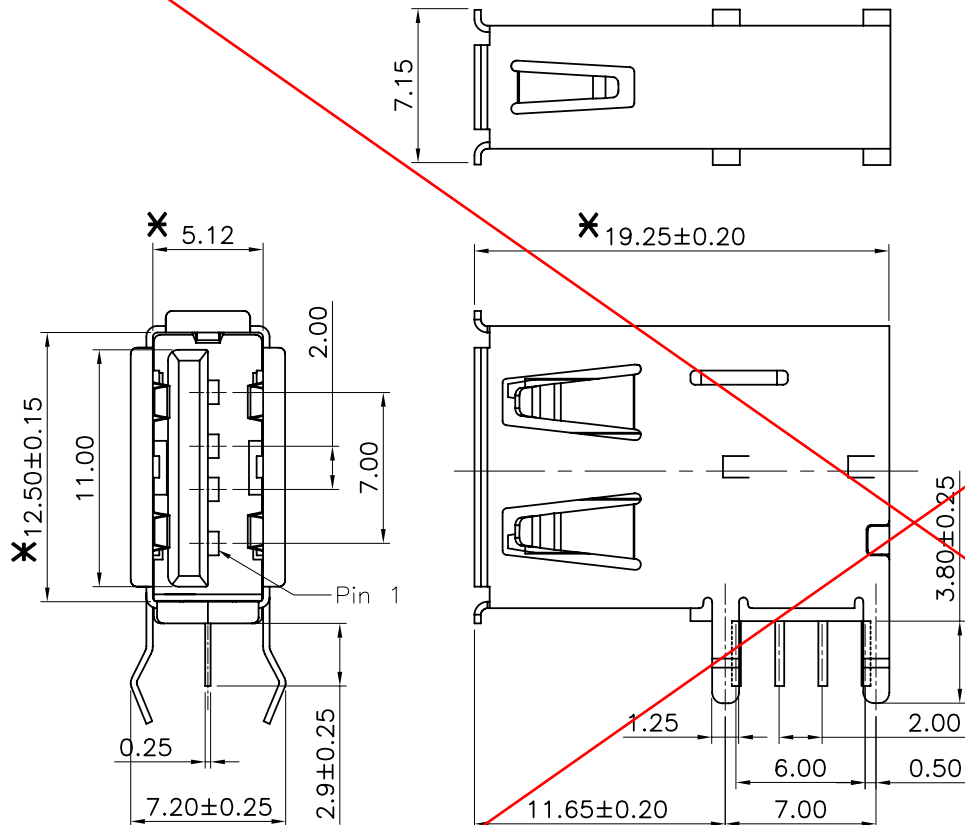
Contact us

Tel: +86-755-8981 8866 Fax: +86-755-8427 6832

Email & Skype: info@chipsmall.com Web: www.chipsmall.com

Address: A1208, Overseas Decoration Building, #122 Zhenhua RD., Futian, Shenzhen, China



OBSOLETE

SPECIFICATIONS:

MATERIAL:-

MOULDING: PBT+30%GF, UL94V-0

CONTACT: PHOSPHOR BRONZE

SHELL: BRASS

FINISH:-

CONTACT: GOLD ON MATING END

TIN ON SOLDERING LEADS

SHELL: NICKEL

ELECTRICAL:-

CURRENT RATING: 1.0 A

VOLTAGE RATING: 30V AC/DC

DIELECTRIC WITSTANDING VOLTAGE: 500V AC/MINUTE

CONTACT RESISTANCE: 30 mΩ MAX.

INSULATION RESISTANCE: 1000 MΩ MIN.

ENVIRONMENTAL:-

TEMPERATURE RANGE: $-55^{\circ}\text{C} \sim +85^{\circ}\text{C}$

NOTES: ALL DIMENSIONS AND NOTES
MARKED * ARE CRITICAL AND
MUST BE CHECKED IN ACCORDANCE
WITH QUALITY DOC. Q1-02A

Recommended PCB Layout

Tolerance: ± 0.05

Allan	3	22.12.09	A254
Allan	2	07.12.09	A250
Allan	1	01.08.06	-

NAME	ISS.	DATE	C/NOTE
------	------	------	--------

APPROVED:

CHECKED:

DRAWN: Allan

CUSTOMER REF.:

ASSEMBLY DRG:

HARWIN

HARWIN USA
TEL: 603 893 5376
FAX: 603 893 5396
mis@harwin.com

HARWIN Europe (UK)
TEL: 023 9231 4545
FAX: 023 9231 4590
mis@harwin.co.uk

HARWIN Asia
TEL: +65 6 779 4909
FAX: +65 6 779 3868
mis@harwin.com.sg

THIS DRAWING AND ANY
INFORMATION OR DESCRIPTIVE
MATTER SET OUT HEREON ARE
CONFIDENTIAL AND COPYRIGHT
PROPERTY OF THE HARWIN
GROUP AND MUST NOT BE
DISCLOSED, LOANED, COPIED
OR USED FOR MANUFACTURING,
TENDERING OR FOR ANY
OTHER PURPOSE WITHOUT
THEIR WRITTEN PERMISSION.

TOLERANCES

X. = $\pm 1\text{mm}$
X.X = $\pm 0.20\text{mm}$
X.XX = $\pm 0.15\text{mm}$
X.XXX = $\pm 0.05\text{mm}$

ANGLES = $\pm 5^{\circ}$

UNLESS STATED

MATERIAL:

SEE NOTES

FINISH:

SEE NOTES

S/AREA:

mm²

TITLE:

USB A TYPE FEMALE DIP UPRIGHT

DRAWING NUMBER:

M701-250442

SHT
1
OF
1