



Chipsmall Limited consists of a professional team with an average of over 10 year of expertise in the distribution of electronic components. Based in Hongkong, we have already established firm and mutual-benefit business relationships with customers from,Europe,America and south Asia,supplying obsolete and hard-to-find components to meet their specific needs.

With the principle of “Quality Parts,Customers Priority,Honest Operation,and Considerate Service”,our business mainly focus on the distribution of electronic components. Line cards we deal with include Microchip,ALPS,ROHM,Xilinx,Pulse,ON,Everlight and Freescale. Main products comprise IC,Modules,Potentiometer,IC Socket,Relay,Connector.Our parts cover such applications as commercial,industrial, and automotives areas.

We are looking forward to setting up business relationship with you and hope to provide you with the best service and solution. Let us make a better world for our industry!



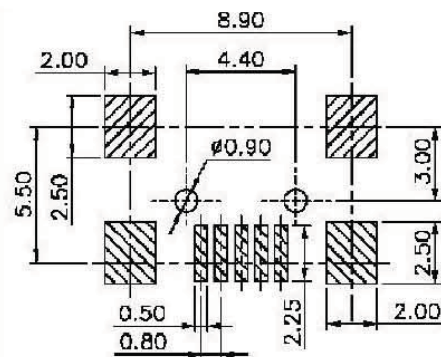
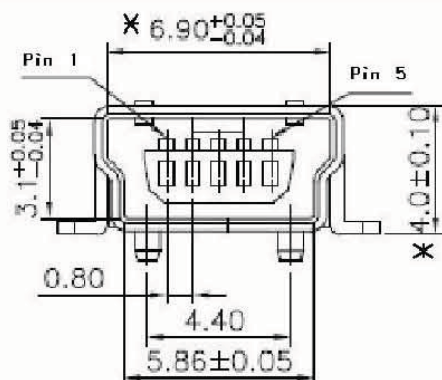
Contact us

Tel: +86-755-8981 8866 Fax: +86-755-8427 6832

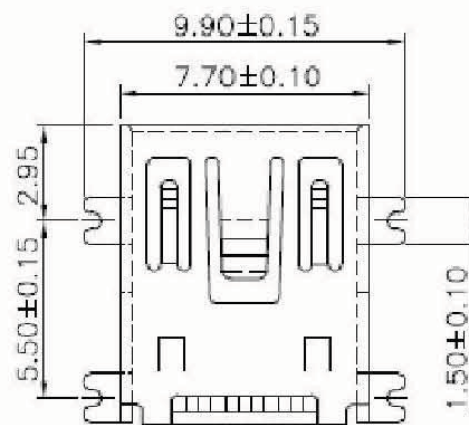
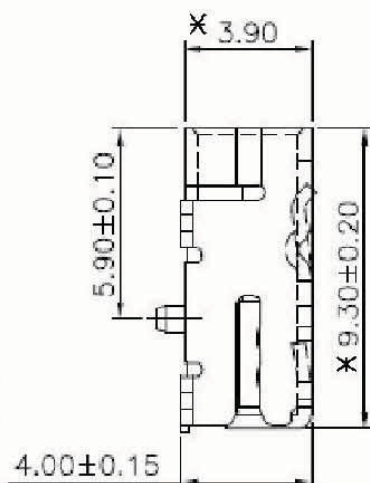
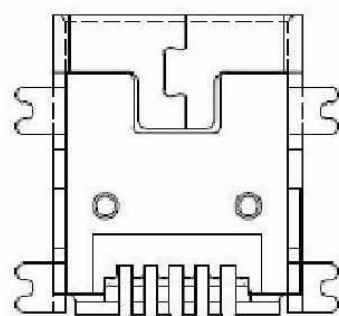
Email & Skype: info@chipsmall.com Web: www.chipsmall.com

Address: A1208, Overseas Decoration Building, #122 Zhenhua RD., Futian, Shenzhen, China





RECOMMENDED PCB LAYOUT



SPECIFICATIONS:

MATERIAL:-

INSULATOR: LCP, UL94V-0 BLACK

CONTACT: PHOSPHOR BRONZE

SHELL: BRASS

FINISH:-

CONTACT: GOLD ON CONTACT, TIN ON SOLDERTAIL

SHELL: NICKEL PLATED

ELECTRICAL:-

CURRENT RATING: 1 AMP

DIELECTRIC WITHSTANDING VOLTAGE: 100V AC/MINUTE

CONTACT RESISTANCE: 50 mΩ MAX.

INSULATION RESISTANCE: 100 MΩ MIN.

ENVIRONMENTAL:-

OPERATING TEMPERATURE: $-55^{\circ}\text{C} \sim +105^{\circ}\text{C}$

NOTES: ALL DIMENSIONS AND NOTES MARKED \times ARE CRITICAL AND MUST BE CHECKED IN ACCORDANCE WITH QUALITY DOC. QI-02A

Leo	4	02.04.12	A375
Allan	3	27.09.06	A223
Allan	2	06.09.06	CN8001
Allan	1	01.08.06	-

NAME	ISS.	DATE	C/NOTE
------	------	------	--------

APPROVED: T.L

CHECKED: *Leo*

DRAWN: Leo

CUSTOMER REF.:

ASSEMBLY DRG:

NOTE: ADD 'R' TO CODE FOR T & R PACKAGING
EG: M701-340542R

HARWIN

HARWIN USA
TEL: 603 893 5376
FAX: 603 893 5396
mis@harwin.com

HARWIN Europe (UK)
TEL: 023 9231 4545
FAX: 023 9231 4590
mis@harwin.co.uk

HARWIN Asia
TEL: +65 6 779 4909
FAX: +65 6 779 3868
mis@harwin.com.sg

THIS DRAWING AND ANY INFORMATION OR DESCRIPTIVE MATTER SET OUT HEREON ARE CONFIDENTIAL AND COPYRIGHT PROPERTY OF THE HARWIN GROUP AND MUST NOT BE DISCLOSED, LOANED, COPIED OR USED FOR MANUFACTURING, TENDERING OR FOR ANY OTHER PURPOSE WITHOUT THEIR WRITTEN PERMISSION.

TOLERANCES

X.X = $\pm 0.25\text{mm}$
X.XX = $\pm 0.20\text{mm}$
X.XXX = $\pm 0.10\text{mm}$

ANGLES = $\pm 1^{\circ}$

MATERIAL:

SEE NOTES

FINISH:

SEE NOTES

S/AREA:

mm?

TITLE:

MINI USB B FEMALE TYPE
R/A SMD TYPE 5 PINS

DRAWING NUMBER:

M701-340542

SHT
1
OF
1