



Chipsmall Limited consists of a professional team with an average of over 10 year of expertise in the distribution of electronic components. Based in Hongkong, we have already established firm and mutual-benefit business relationships with customers from,Europe,America and south Asia,supplying obsolete and hard-to-find components to meet their specific needs.

With the principle of “Quality Parts,Customers Priority,Honest Operation,and Considerate Service”,our business mainly focus on the distribution of electronic components. Line cards we deal with include Microchip,ALPS,ROHM,Xilinx,Pulse,ON,Everlight and Freescale. Main products comprise IC,Modules,Potentiometer,IC Socket,Relay,Connector.Our parts cover such applications as commercial,industrial, and automotives areas.

We are looking forward to setting up business relationship with you and hope to provide you with the best service and solution. Let us make a better world for our industry!



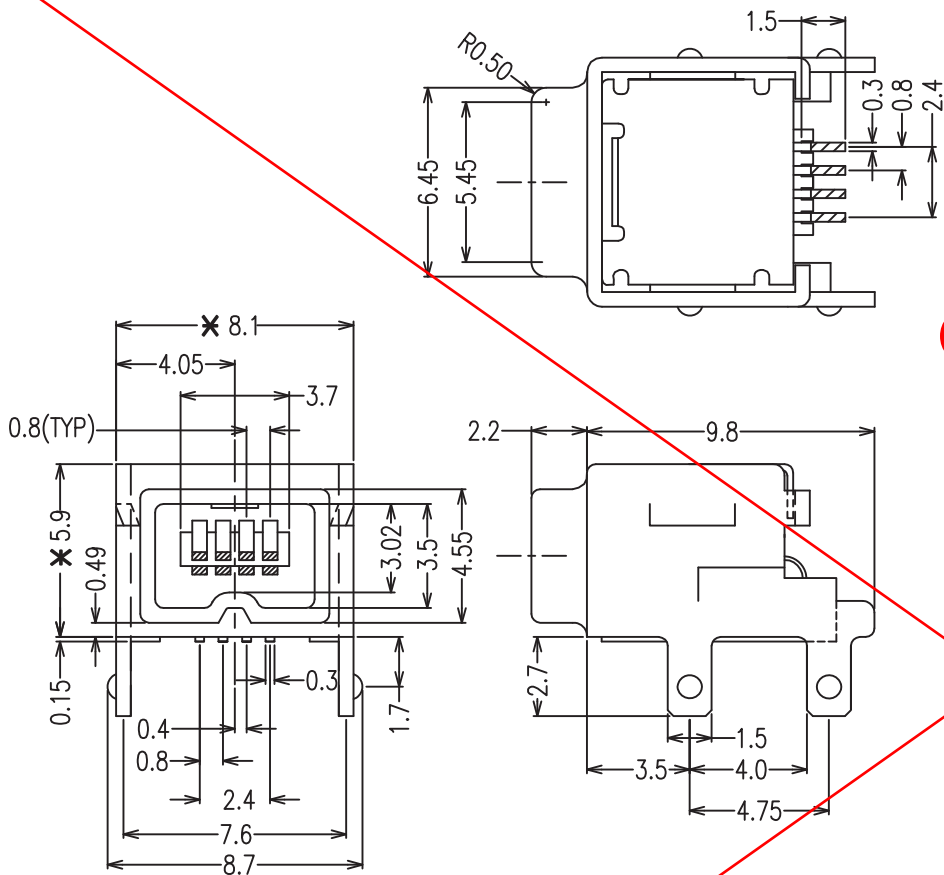
Contact us

Tel: +86-755-8981 8866 Fax: +86-755-8427 6832

Email & Skype: info@chipsmall.com Web: www.chipsmall.com

Address: A1208, Overseas Decoration Building, #122 Zhenhua RD., Futian, Shenzhen, China





OBSOLETE

SPECIFICATIONS:

MATERIAL:-

HOUSING: NYLON PA9T G.F.(UL94V-0), BLACK
 TERMINAL: PHOSPHOR BRONZE
 FRONT SHIELD: STEEL
 REAR SHIELD: PHOSPHOR BRONZE

FINISH:-

TERMINAL: GOLD PLATING ON CONTACT AREA,
 TIN PLATING ON SOLDER TAIL
 FRONT SHIELD: NICKEL PLATING ALL OVER
 REAR SHIELD: NICKEL PLATING ALL OVER

ELECTRICAL:-

CURRENT RATING: 1.5 AMP MAX.
 VOLTAGE RATING: 40 V MAX.
 VOLTAGE PROOF: 100V AC FOR 1 MINUTE
 CONTACT RESISTANCE: 50 mΩ MAX.
 INSULATION RESISTANCE: 100 MΩ MIN. AT 500V DC

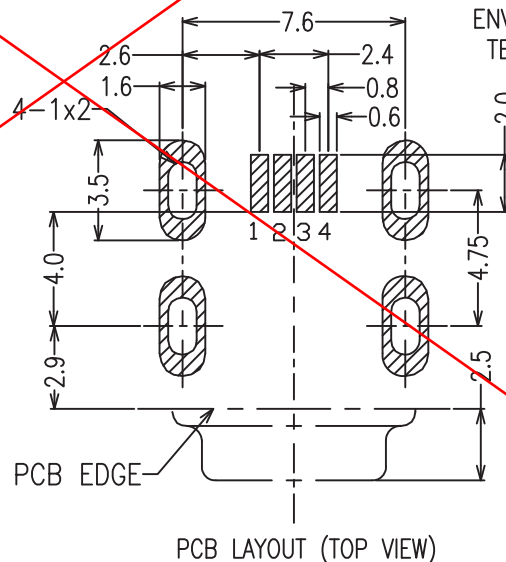
MECHANICAL:-

DURABILITY: 1000 CYCLES

ENVIRONMENTAL:-

TEMPERATURE RANGE: -25°C ~ +85°C

NOTES: ALL DIMENSIONS AND NOTES
 MARKED * ARE CRITICAL AND
 MUST BE CHECKED IN ACCORDANCE
 WITH QUALITY DOC. QI-02A



Leo	4	03.01.13	A399
Leo	3	21.12.12	A398
Allan	2	01.08.06	A109
Allan	1	01.08.06	-
NAME	ISS.	DATE	C/NOTE

APPROVED:	T.L
CHECKED:	<i>[Signature]</i>
DRAWN:	Leo
CUSTOMER REF.:	
ASSEMBLY DRG:	

TOLERANCES	
X.X	= ±0.20mm
X.XX	= ±0.10mm

HARWIN

HARWIN USA TEL: 603 893 5376 FAX: 603 893 5396 mis@harwin.com	HARWIN Europe (UK) TEL: 023 9231 4545 FAX: 023 9231 4590 mis@harwin.co.uk	HARWIN Asia TEL: +65 6 779 4909 FAX: +65 6 779 3868 mis@harwin.com.sg
--	--	--

THIS DRAWING AND ANY INFORMATION OR DESCRIPTIVE MATTER SET OUT HEREON ARE CONFIDENTIAL AND COPYRIGHT PROPERTY OF THE HARWIN GROUP AND MUST NOT BE DISCLOSED, LOANED, COPIED OR USED FOR MANUFACTURING, TENDERING OR FOR ANY OTHER PURPOSE WITHOUT THEIR WRITTEN PERMISSION.

TOLERANCES	
X.	= ±1mm
X.X	= ±0.25mm
X.XX	= ±0.10mm
X.XXX	= ±0.01mm
ANGLES = ±5°	
UNLESS STATED	

MATERIAL:	SEE NOTES
FINISH:	SEE NOTES
S/AREA:	mm?

TITLE:	IEEE 1394, MINI TYPE PCB MOUNT SMT TYPE, METAL SHIELD, FEMALE
DRAWING NUMBER:	M702-230442
SHT	1 OF 1