



Chipsmall Limited consists of a professional team with an average of over 10 year of expertise in the distribution of electronic components. Based in Hongkong, we have already established firm and mutual-benefit business relationships with customers from,Europe,America and south Asia,supplying obsolete and hard-to-find components to meet their specific needs.

With the principle of “Quality Parts,Customers Priority,Honest Operation,and Considerate Service”,our business mainly focus on the distribution of electronic components. Line cards we deal with include Microchip,ALPS,ROHM,Xilinx,Pulse,ON,Everlight and Freescale. Main products comprise IC,Modules,Potentiometer,IC Socket,Relay,Connector.Our parts cover such applications as commercial,industrial, and automotives areas.

We are looking forward to setting up business relationship with you and hope to provide you with the best service and solution. Let us make a better world for our industry!



Contact us

Tel: +86-755-8981 8866 Fax: +86-755-8427 6832

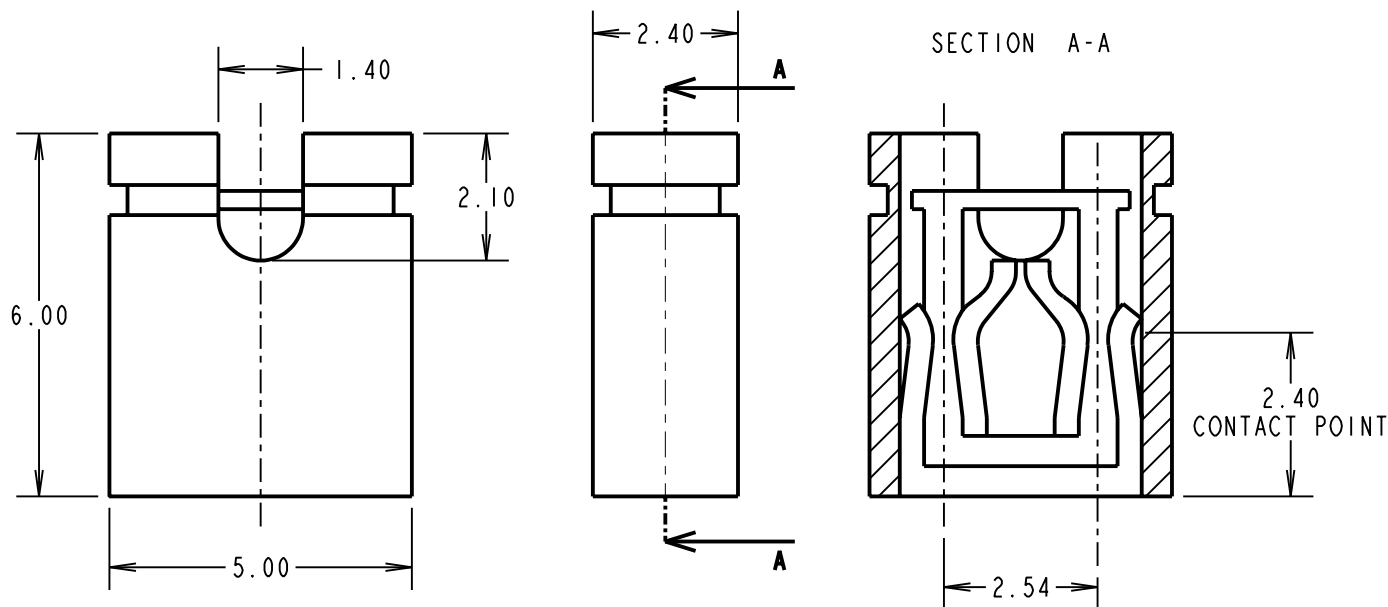
Email & Skype: info@chipsmall.com Web: www.chipsmall.com

Address: A1208, Overseas Decoration Building, #122 Zhenhua RD., Futian, Shenzhen, China



Customer Information Sheet

DRAWING No.: M7580/81/82/83-XX SHEET 2 OF 2 IF IN DOUBT - ASK (C) NOT TO SCALE THIRD ANGLE PROJECTION ALL DIMENSIONS IN mm



SPECIFICATION.

MATERIAL:

INSULATOR = 30% GLASS FILLED PBT UL94V-0
(SEE ORDER CODE FOR COLOUR)

CONTACT = PHOSPHOR BRONZE

FINISH:

05 = SELECTIVE GOLD OVER NICKEL

46 = 100% TIN

ELECTRICAL:

CURRENT RATING = 1A

INSULATION RESISTANCE = 5,000 MEGOHMS MIN

CONTACT RESISTANCE = 20 MILLIOHMS MAX

DIELECTRIC STRENGTH = 500V AC

MECHANICAL:

INSERTION FORCE = 13.7N MAX, 2.0N MIN

WITHDRAWAL FORCE = 7.4N MAX, 1.0N MIN

ENVIRONMENTAL:

OPERATING TEMPERATURE = -55°C TO +105°C

ORDER CODE:

M75XX-XX

MOULDING COLOUR

80 = GREY

81 = RED

82 = BLACK

83 = BLUE

CONTACT FINISH

05 = GOLD

46 = 100% TIN

NOTES:

1. RECOMMENDED PIN SIZE = 0.64mm SQUARE.
2. ALL TOLERANCES ± 0.20 mm UNLESS OTHERWISE STATED.

CP	7	23.12.09	10620
NAME	ISS.	DATE	C/NOTE
APPROVED: C.PENROSE			
CHECKED: R.ADDE			
DRAWN: A. G. LIOTTA			
CUSTOMER REF.:			
ASSEMBLY DRG:			

HARWIN

HARWIN USA
TEL: 603 893 5376
FAX: 603 893 5396
mis@harwin.com

HARWIN Europe (UK)
TEL: 023 9231 4545
FAX: 023 9231 4590
mis@harwin.co.uk

HARWIN Asia
TEL: +65 6 779 4909
FAX: +65 6 779 3868
mis@harwin.com.sg

THIS DRAWING AND ANY INFORMATION OR DESCRIPTIVE MATTER SET OUT HEREON ARE CONFIDENTIAL AND COPYRIGHT PROPERTY OF THE HARWIN GROUP AND MUST NOT BE DISCLOSED, LOANED, COPIED OR USED FOR MANUFACTURING, TENDERING OR FOR ANY OTHER PURPOSE WITHOUT THEIR WRITTEN PERMISSION.

TOLERANCES
~~X = ± 1 mm
 X.X = ± 0.25 mm
 X.XX = ± 0.10 mm
 X.XXX = ± 0.01 mm
 ANGLES = $\pm 5^\circ$
 UNLESS STATED~~

MATERIAL:

SEE ABOVE

FINISH: SEE ABOVE

S/AREA: mm²

TITLE:

SINGLE OPERATION
2.54mm PITCH OPEN TOP
JUMPER SOCKET

DRAWING NUMBER:

M7580/81/82/83-XX

SHT

2 OF 2