



Chipsmall Limited consists of a professional team with an average of over 10 year of expertise in the distribution of electronic components. Based in Hongkong, we have already established firm and mutual-benefit business relationships with customers from,Europe,America and south Asia,supplying obsolete and hard-to-find components to meet their specific needs.

With the principle of "Quality Parts,Customers Priority,Honest Operation,and Considerate Service",our business mainly focus on the distribution of electronic components. Line cards we deal with include Microchip,ALPS,ROHM,Xilinx,Pulse,ON,Everlight and Freescale. Main products comprise IC,Modules,Potentiometer,IC Socket,Relay,Connector.Our parts cover such applications as commercial,industrial, and automotives areas.

We are looking forward to setting up business relationship with you and hope to provide you with the best service and solution. Let us make a better world for our industry!



Contact us

Tel: +86-755-8981 8866 Fax: +86-755-8427 6832

Email & Skype: info@chipsmall.com Web: www.chipsmall.com

Address: A1208, Overseas Decoration Building, #122 Zhenhua RD., Futian, Shenzhen, China



Customer Information Sheet

DRAWING No.: M80-023

SHEET 2 OF 2

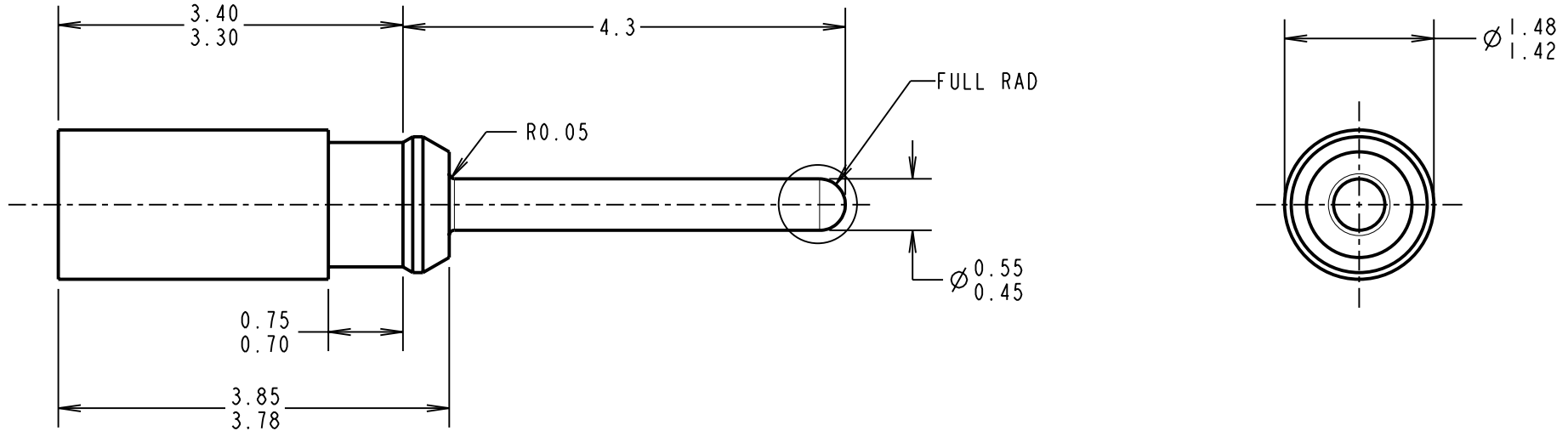
IF IN DOUBT - ASK

©

NOT TO SCALE

THIRD ANGLE PROJECTION

ALL DIMENSIONS IN mm



| | |
|-------------|--------------|
| PART No. | FINISH |
| M80-0230000 | UNPLATED |
| M80-023 | 1.25µ NICKEL |

| | | | |
|----------------------|------|----------|--------|
| CP | 6 | 07.07.09 | 10372 |
| NAME | ISS. | DATE | C/NOTE |
| APPROVED: C. PENROSE | | | |
| CHECKED: R. ADDE | | | |
| DRAWN: P. D. COLLINS | | | |
| CUSTOMER REF.: | | | |
| ASSEMBLY DRG: | | | |

NOTES:

- SUITABLE FOR USE IN ANY M80 FEMALE PC TAIL MOULDING AS A REPLACEMENT FOR A STANDARD CONTACT, TO GIVE ADDITIONAL POLARISATION.

HARWIN

HARWIN USA
TEL: 603 893 5376
FAX: 603 893 5396
mis@harwin.com

HARWIN Europe (UK)
TEL: 023 9231 4545
FAX: 023 9231 4590
mis@harwin.co.uk

HARWIN Asia
TEL: +65 6 779 4909
FAX: +65 6 779 3868
mis@harwin.com.sg

THIS DRAWING AND ANY INFORMATION OR DESCRIPTIVE MATTER SET OUT HEREON ARE CONFIDENTIAL AND COPYRIGHT PROPERTY OF THE HARWIN GROUP AND MUST NOT BE DISCLOSED, LOANED, COPIED OR USED FOR MANUFACTURING, TENDERING OR FOR ANY OTHER PURPOSE WITHOUT THEIR WRITTEN PERMISSION.

TOLERANCES
X. = ±1mm
X.X = ±0.25mm
X.XX = ±0.10mm
X.XXX = ±0.01mm
ANGLES = ±5°
UNLESS STATED

MATERIAL:
BRASS CW603N TO BS EN 12164 (CuZn36Pb3)
FINISH: SEE TABLE
S/AREA: mm²

TITLE:
P.C. TAIL CONTACT
POLARISING DUMMY
DRAWING NUMBER:
M80-023

SHT
2
OF
2