



Chipsmall Limited consists of a professional team with an average of over 10 year of expertise in the distribution of electronic components. Based in Hongkong, we have already established firm and mutual-benefit business relationships with customers from,Europe,America and south Asia,supplying obsolete and hard-to-find components to meet their specific needs.

With the principle of “Quality Parts,Customers Priority,Honest Operation,and Considerate Service”,our business mainly focus on the distribution of electronic components. Line cards we deal with include Microchip,ALPS,ROHM,Xilinx,Pulse,ON,Everlight and Freescale. Main products comprise IC,Modules,Potentiometer,IC Socket,Relay,Connector.Our parts cover such applications as commercial,industrial, and automotives areas.

We are looking forward to setting up business relationship with you and hope to provide you with the best service and solution. Let us make a better world for our industry!



## Contact us

Tel: +86-755-8981 8866 Fax: +86-755-8427 6832

Email & Skype: info@chipsmall.com Web: www.chipsmall.com

Address: A1208, Overseas Decoration Building, #122 Zhenhua RD., Futian, Shenzhen, China



# Customer Information Sheet

DRAWING No.: M80-04100XX

SHEET 2 OF 2

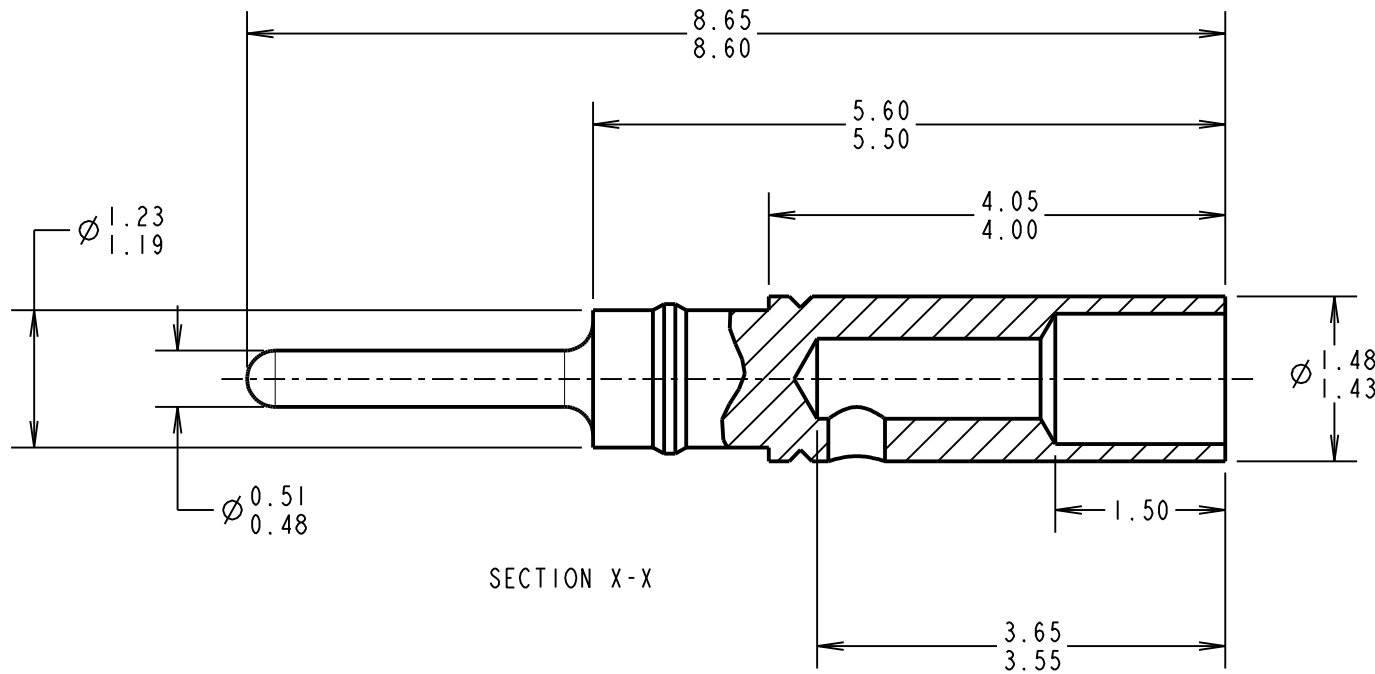
IF IN DOUBT - ASK

©

NOT TO SCALE

THIRD ANGLE PROJECTION

ALL DIMENSIONS IN mm



NOTES:

- FOR USE WITH 24-28 AWG BS3G210 TYPE A PTFE INSULATED EQUIPMENT WIRE, MAXIMUM DIAMETER  $\varnothing 1.10$ mm.
- TO BE USED AS REPLACEMENT CONTACTS IN SMALL BORE MALE CRIMP DATAMATE ASSEMBLIES M80-812XXXX (LATCHED) AND M80-816XXXX (FRICTION LATCH).
- SEE INSTRUCTION SHEET IS-01 FOR CRIMPING INSTRUCTIONS.

ORDER CODE:

**M80-0410005**

FINISH \_\_\_\_\_  
05 - 0.25-0.30 $\mu$  GOLD

MSP	15	30.11.15	13162
NAME	ISS.	DATE	C/NOTE
APPROVED:		M. PERREN	
CHECKED:		M. PLESTED	
DRAWN:		W. J. BOURNE	
CUSTOMER REF.:			
ASSEMBLY DRG:			

**HARWIN**

www.harwin.com  
technical@harwin.com

THIS DRAWING AND ANY INFORMATION OR DESCRIPTIVE MATTER SET OUT HEREON ARE CONFIDENTIAL AND COPYRIGHT PROPERTY OF THE HARWIN GROUP AND MUST NOT BE DISCLOSED, LOANED, COPIED OR USED FOR MANUFACTURING, TENDERING OR FOR ANY OTHER PURPOSE WITHOUT THEIR WRITTEN PERMISSION.

TOLERANCES  
X. =  $\pm 1$ mm  
X.X =  $\pm 0.50$ mm  
X.XX =  $\pm 0.10$ mm  
X.XXX =  $\pm 0.01$ mm  
ANGLES =  $\pm 5^\circ$   
UNLESS STATED

MATERIAL:

BRASS

FINISH: SEE ORDER CODE

S/AREA: mm<sup>2</sup>

TITLE:

CRIMP PLUG CONTACT  
(SMALL BORE)

DRAWING NUMBER:

**M80-0410005**

SHT  
2 OF 2