



Chipsmall Limited consists of a professional team with an average of over 10 year of expertise in the distribution of electronic components. Based in Hongkong, we have already established firm and mutual-benefit business relationships with customers from,Europe,America and south Asia,supplying obsolete and hard-to-find components to meet their specific needs.

With the principle of “Quality Parts,Customers Priority,Honest Operation,and Considerate Service”,our business mainly focus on the distribution of electronic components. Line cards we deal with include Microchip,ALPS,ROHM,Xilinx,Pulse,ON,Everlight and Freescale. Main products comprise IC,Modules,Potentiometer,IC Socket,Relay,Connector.Our parts cover such applications as commercial,industrial, and automotives areas.

We are looking forward to setting up business relationship with you and hope to provide you with the best service and solution. Let us make a better world for our industry!



## Contact us

Tel: +86-755-8981 8866 Fax: +86-755-8427 6832

Email & Skype: info@chipsmall.com Web: www.chipsmall.com

Address: A1208, Overseas Decoration Building, #122 Zhenhua RD., Futian, Shenzhen, China



# Customer Information Sheet

DRAWING No.: M80-103XX98S

SHEET 2 OF 2

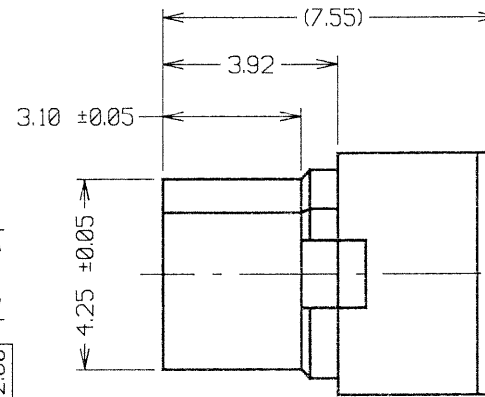
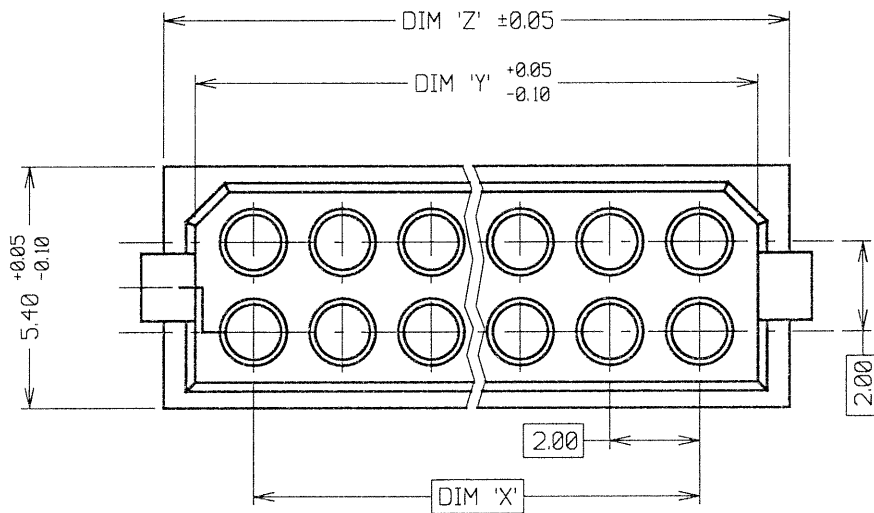
IF IN DOUBT - ASK

©

NOT TO SCALE

THIRD ANGLE PROJECTION

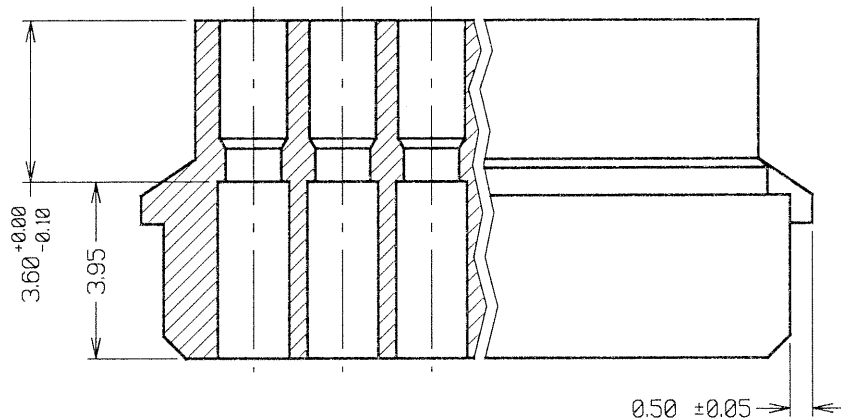
ALL DIMENSIONS IN mm



ORDER CODE:  
**M80-103XX98S**

No. OF CONTACTS  
04, 06, 08, 10, 12, 14  
16, 18, 20, 26 & 34

NOTES:  
1. SUITABLE FOR USE WITH  
M80-01100XX & M80-01300XX  
CRIMP SOCKETS.



**SPECIFICATIONS:**

MATERIAL = GLASS-FILLED POLYESTER UL94V-0, BLACK  
ALL OTHER APPLICABLE SPECIFICATIONS ARE  
SHOWN IN COMPONENT SPECIFICATION C001XX  
(LATEST ISSUE), AND APPLY WHEN CRIMP SOCKETS  
ARE ASSEMBLED.

PART No.	DIM 'X'	DIM 'Y'	DIM 'Z'
M80-1030498S	2.00	4.60	6.00
M80-1030698S	4.00	6.60	8.00
M80-1030898S	6.00	8.60	10.00
M80-1031098S	8.00	10.60	12.00
M80-1031298S	10.00	12.60	14.00
M80-1031498S	12.00	14.60	16.00
M80-1031698S	14.00	16.60	18.00
M80-1031898S	16.00	18.60	20.00
M80-1032098S	18.00	20.60	22.00
M80-1032698S	24.00	26.60	28.00
M80-1033498S	32.00	34.60	36.00

JMB	2	23.08.06	9394
NAME	ISS.	DATE	C/NOTE
APPROVED: <i>[Signature]</i>			
CHECKED: <i>[Signature]</i>			
DRAWN: W. J. BOURNE			
CUSTOMER REF.:			
ASSEMBLY DRG.:			

## HARWIN

HARWIN USA TEL: 603 893 5376 FAX: 603 893 5396 mis@harwin.com	HARWIN Europe (UK) TEL: 023 9231 4545 FAX: 023 9231 4590 mis@harwin.co.uk	HARWIN Asia TEL: +65 6 779 4909 FAX: +65 6 779 3868 mis@harwin.com.sg
--	--	--

THIS DRAWING AND ANY INFORMATION OR DESCRIPTIVE MATTER SET OUT HEREON ARE CONFIDENTIAL AND COPYRIGHT PROPERTY OF THE HARWIN GROUP AND MUST NOT BE DISCLOSED, LOANED, COPIED OR USED FOR MANUFACTURING, TENDERING OR FOR ANY OTHER PURPOSE WITHOUT THEIR WRITTEN PERMISSION.

**TOLERANCES**  
X. = ±1mm  
X.X = ±0.25mm  
X.XX = ±0.10mm  
X.XXX = ±0.01mm  
ANGLES = ±5°  
UNLESS STATED

**MATERIAL:**  
M80-103XX98

**FINISH:**

**S/AREA:** mm<sup>2</sup>

**TITLE:**  
DATAMATE DIL CRIMP MOULDING

**DRAWING NUMBER:**  
M80-103XX98S

SHT 2 OF 2