



Chipsmall Limited consists of a professional team with an average of over 10 year of expertise in the distribution of electronic components. Based in Hongkong, we have already established firm and mutual-benefit business relationships with customers from,Europe,America and south Asia,supplying obsolete and hard-to-find components to meet their specific needs.

With the principle of "Quality Parts,Customers Priority,Honest Operation,and Considerate Service",our business mainly focus on the distribution of electronic components. Line cards we deal with include Microchip,ALPS,ROHM,Xilinx,Pulse,ON,Everlight and Freescale. Main products comprise IC,Modules,Potentiometer,IC Socket,Relay,Connector.Our parts cover such applications as commercial,industrial, and automotives areas.

We are looking forward to setting up business relationship with you and hope to provide you with the best service and solution. Let us make a better world for our industry!



## Contact us

Tel: +86-755-8981 8866 Fax: +86-755-8427 6832

Email & Skype: info@chipsmall.com Web: www.chipsmall.com

Address: A1208, Overseas Decoration Building, #122 Zhenhua RD., Futian, Shenzhen, China



# Customer Information Sheet

DRAWING No.: M80-28300XX & M80-28400XX SHT 2 OF 2

IF IN DOUBT - ASK

©

NOT TO SCALE

THIRD ANGLE PROJECTION

ALL DIMENSIONS IN mm

## SPECIFICATION:

MATERIAL:  
BERYLLIUM COPPER

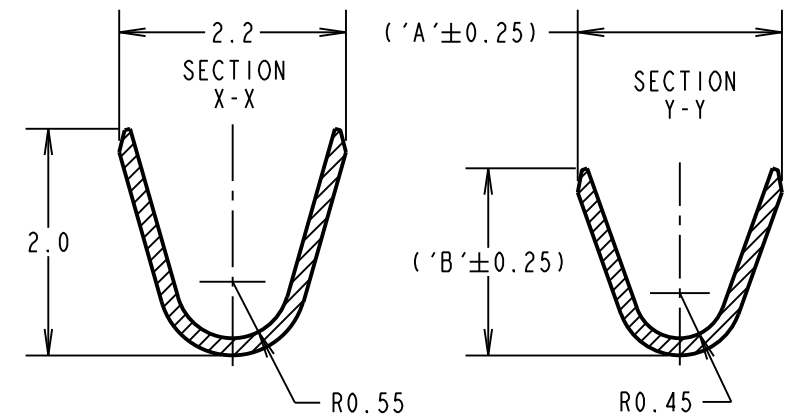
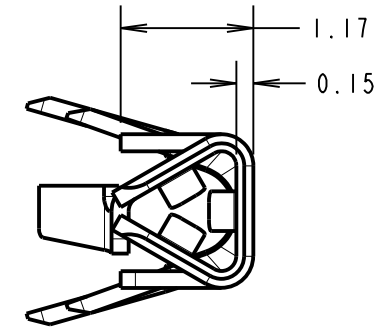
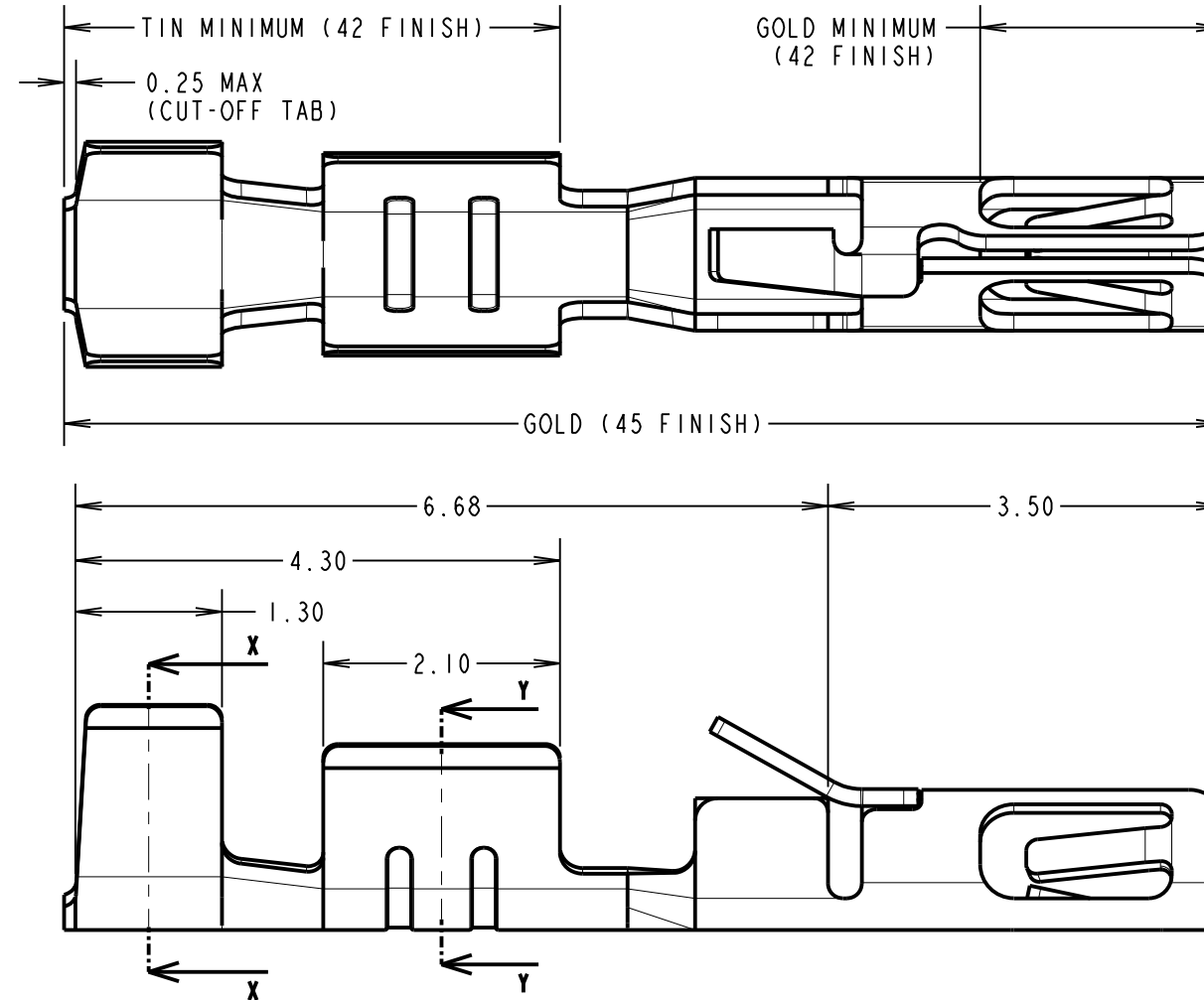
FINISH (ALL OVER NICKEL):  
45 = 0.3µ MIN GOLD, ALL OVER  
42 = SELECTIVE 3µ MIN 100% TIN AND 0.3µ MIN GOLD

MECHANICAL:  
INSERTION FORCE = 2.8N MAX, 1.0N MIN  
WITHDRAWAL FORCE = 1.8N MAX, 0.2N MIN  
DURABILITY = 400 OPERATIONS

ENVIRONMENTAL:  
OPERATING TEMPERATURE = -55°C TO +125°C

PACKING:  
LOOSE, 100/BAG ONE OR MORE BAGS PER BOX

FOR COMPLETE CONNECTOR SPECIFICATION, SEE  
COMPONENT SPECIFICATION C040XX (LATEST ISSUE)



## NOTES:

- TO BE USED WITH THE FOLLOWING FEMALE HOUSING:  
M80-454XX98 = HOUSING ONLY  
M80-455XX98 = HOUSING + SLOTTED JACKSCREW  
M80-456XX98 = HOUSING + HEX SOCKET JACKSCREW  
M80-457XX98 = HOUSING + REVERSE FIX JACKSCREW  
M80-458XX98 = HOUSING + GUIDE AND BOARD MOUNT  
M80-459XX98 = HOUSING + 10ILOK SCREWS
- RECOMMENDED WIRE TYPE = BS 3G 210 TYPE A, WIRE 22-28 AWG, WIRE INSULATION Ø0.6mm-Ø1.1mm. STRIP WIRE BY 2.7-3.0mm FOR CRIMPING.
- RECOMMENDED CRIMP HEIGHTS:  
0.76-0.82mm FOR 22-24 AWG CONTACTS  
0.50-0.56mm FOR 26-28 AWG CONTACTS
- CRIMP SUITABLE FOR PROCESSING WITH HANDCRIMP TOOL Z80-255. SEE TOOLING INSTRUCTION SHEET IS-27 FOR CRIMPING INSTRUCTIONS.
- CONTACTS ARE AVAILABLE ON REELS, PART NUMBER M80-25300XX FOR 24-22 AWG WIRE AND M80-25400XX FOR 28-26 AWG WIRE, SUITABLE FOR PROCESSING WITH LEFT SIDE FEED CRIMPING PRESS. CONTACT [datamate@harwin.com](mailto:datamate@harwin.com) FOR DETAILS.

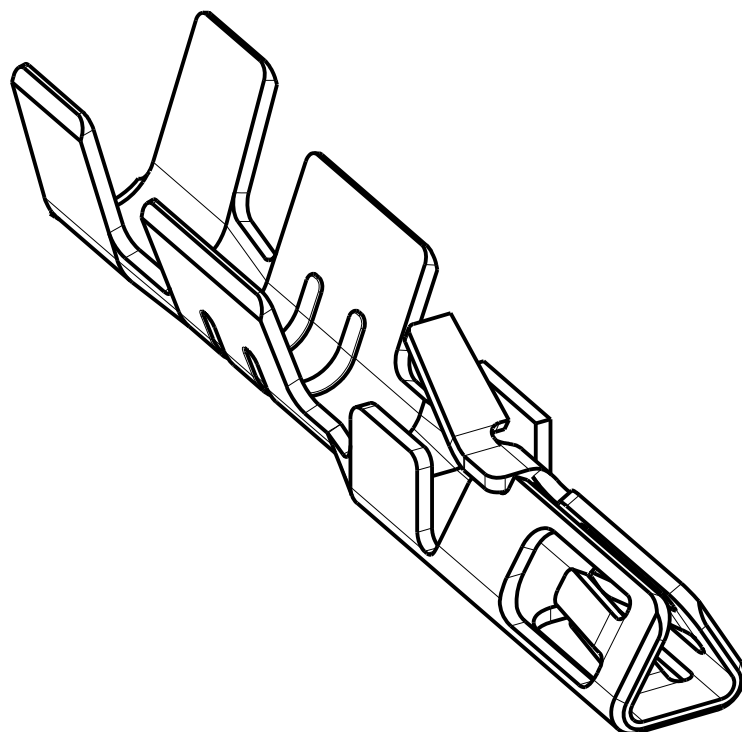
PART No.	DIMENSION	
	'A'	'B'
M80-28300XX	1.80	1.65
M80-28400XX	1.34	1.00

ORDER CODE: **M80-XXX00XX**

WIRE SIZE:  
283 = 24-22 AWG (0.22-0.34mm<sup>2</sup>)  
284 = 28-26 AWG (0.08-0.12mm<sup>2</sup>)

FINISH:  
45 = GOLD, ALL OVER  
42 = 100% TIN & GOLD, SELECTIVE

SM	7	15.11.11	11542
NAME	ISS.	DATE	C/NOTE
APPROVED: S. MCCULLAGH			
CHECKED: M. G. PLESTED			
DRAWN: B. M. KENT			
CUSTOMER REF.:			
ASSEMBLY DRG:			



# HARWIN

[www.harwin.com](http://www.harwin.com)  
[technical@harwin.com](mailto:technical@harwin.com)

THIS DRAWING AND ANY INFORMATION OR DESCRIPTIVE MATTER SET OUT HEREON ARE CONFIDENTIAL AND COPYRIGHT PROPERTY OF THE HARWIN GROUP AND MUST NOT BE DISCLOSED, LOANED, COPIED OR USED FOR MANUFACTURING, TENDERING OR FOR ANY OTHER PURPOSE WITHOUT THEIR WRITTEN PERMISSION.

TOLERANCES  
X. = ±1mm  
X.X = ±0.25mm  
X.XX = ±0.10mm  
X.XXX = ±0.01mm  
ANGLES = ±5°  
UNLESS STATED

MATERIAL:  
SEE ABOVE  
FINISH: SEE ABOVE  
S/AREA: mm<sup>2</sup>

TITLE: DATAMATE TRIO-TEK  
FEMALE CRIMP CONTACT LOOSE  
24-22 AWG & 28-26 AWG

DRAWING NUMBER:  
**M80-28300XX & M80-28400XX**

SHT  
2 OF 2