



Chipsmall Limited consists of a professional team with an average of over 10 year of expertise in the distribution of electronic components. Based in Hongkong, we have already established firm and mutual-benefit business relationships with customers from,Europe,America and south Asia,supplying obsolete and hard-to-find components to meet their specific needs.

With the principle of “Quality Parts,Customers Priority,Honest Operation,and Considerate Service”,our business mainly focus on the distribution of electronic components. Line cards we deal with include Microchip,ALPS,ROHM,Xilinx,Pulse,ON,Everlight and Freescale. Main products comprise IC,Modules,Potentiometer,IC Socket,Relay,Connector.Our parts cover such applications as commercial,industrial, and automotives areas.

We are looking forward to setting up business relationship with you and hope to provide you with the best service and solution. Let us make a better world for our industry!



## Contact us

Tel: +86-755-8981 8866 Fax: +86-755-8427 6832

Email & Skype: info@chipsmall.com Web: www.chipsmall.com

Address: A1208, Overseas Decoration Building, #122 Zhenhua RD., Futian, Shenzhen, China



# Customer Information Sheet

DRAWING No.: M80-400000FE-XX-XXX-00-000

SHEET 4 OF 6

IF IN DOUBT - ASK

(C)

NOT TO SCALE

THIRD ANGLE PROJECTION

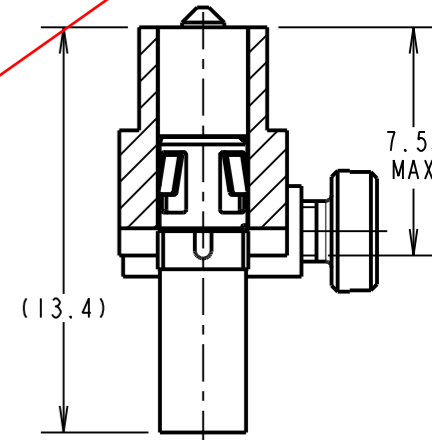
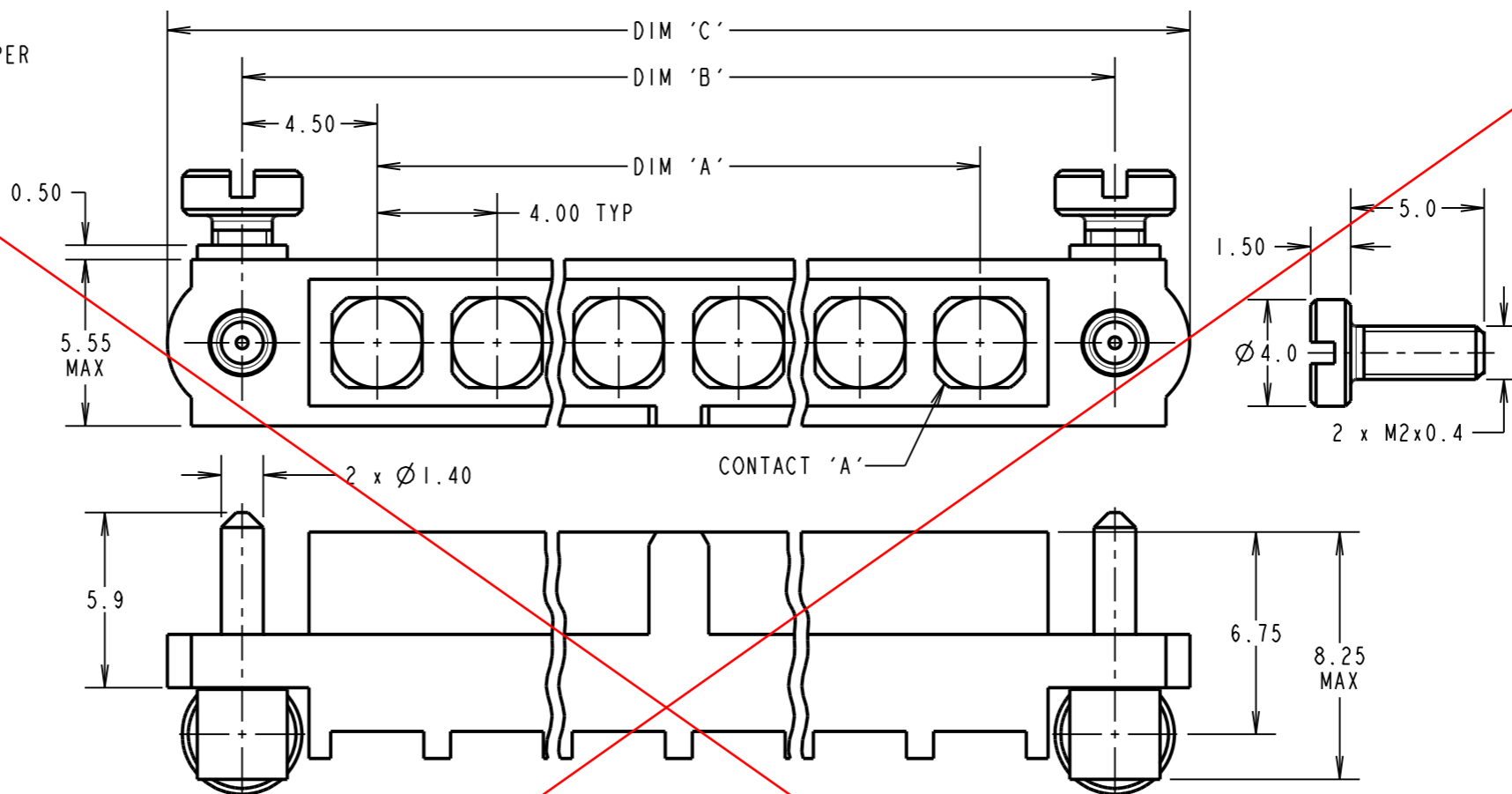
ALL DIMENSIONS IN mm

**SPECIFICATIONS:**

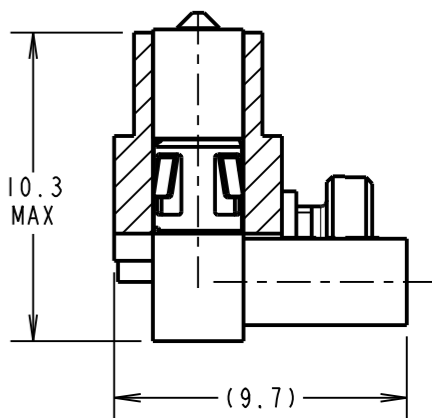
**MATERIAL:**  
 Moulding: GLASS FILLED PPS, UL94V-0, BLACK  
 COAX CONTACT:  
 BODY, SLEEVE, END PLUG = COPPER ALLOY  
 INNER CONTACT, LATCHING COLLAR = BERYLLIUM COPPER  
 INSULATOR = PTFE  
 GUIDE PIN, SCREW = STAINLESS STEEL  
**FINISH:**  
 COAX CONTACT  
 BODY, SLEEVE, INNER CONTACT, END PLUG = GOLD  
 LATCHING COLLAR: = NICKEL  
**ELECTRICAL:**  
 INSULATION RESISTANCE = 100MΩ MIN  
 COAX CONTACT:  
 FREQUENCY RANGE = 6GHz  
 IMPEDANCE = 50Ω  
 V.S.W.R = 1.05 + (0.04 x FREQUENCY) GHz MAX  
 CONTACT RESISTANCE = 6mΩ MAX  
 INSULATION RESISTANCE = 10<sup>6</sup>MΩ @250V AC  
 OPERATING VOLTAGE = 180V AC @ 500mA  
 MAXIMUM VOLTAGE = 1000V AC  
**MECHANICAL:**  
 DURABILITY = 500 OPERATIONS  
 COAX CONTACT:  
 INSERTION FORCE = 8N MAX  
 WITHDRAWAL FORCE = 0.5N MIN  
**ENVIRONMENTAL:**  
 TEMPERATURE RANGE = -55°C TO +125°C  
**PACKING:**  
 BAG  
 FOR COMPLETE SPECIFICATION SEE COMPONENT SPECIFICATION C005XX (LATEST ISSUE)

## COAX CRIMP AND SOLDER CONTACTS ONLY **OBSOLETE**

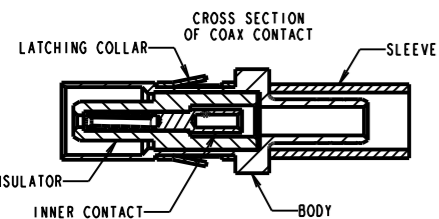
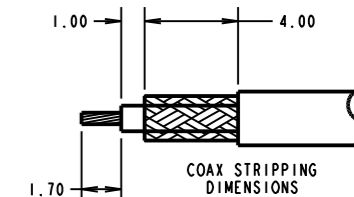
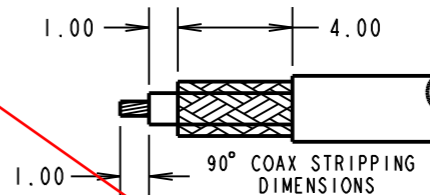
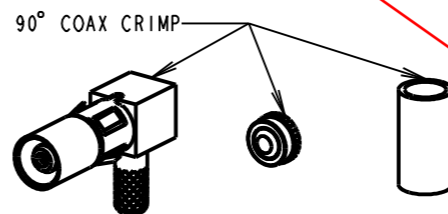
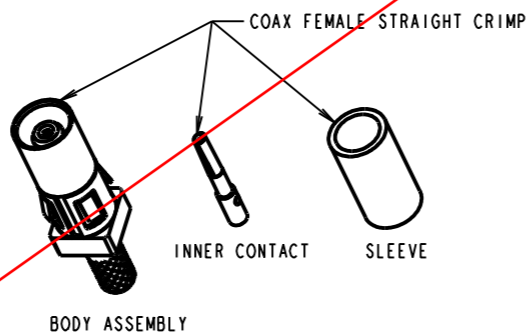
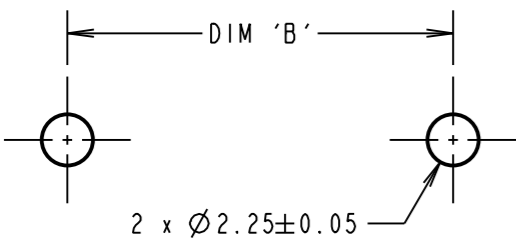
M80-305/306/307  
x No. OF CONTACTS



M80-308/309  
x No. OF CONTACTS



**RECOMMENDED PCB LAYOUT**



ORDER CODE: (COAX CRIMP/SOLDER)  
**M80-400000FE-XX-XXX-00-000**

TOTAL No. OF CONTACTS: \_\_\_\_\_  
 02 TO 12

SPECIAL CONTACTS:  
 305 = COAX CONTACT CRIMP 2.0mm M80-305  
 306 = COAX CONTACT CRIMP 2.4mm M80-306  
 307 = COAX CONTACT CRIMP 2.7mm M80-307  
 308 = 90° COAX CONTACT CRIMP/SOLDER 2.0mm M80-308  
 309 = 90° COAX CONTACT CRIMP/SOLDER 2.7mm M80-309

- NOTES:**
- CONNECTORS ARE SUPPLIED WITH CONTACTS LOOSE.
  - COAX CONTACT IS SUPPLIED AS A KIT OF PARTS: BODY, INSULATOR AND LATCHING COLLAR ARE PRE-ASSEMBLED. SLEEVE AND INNER CONTACT ARE SEPARATE.
  - FOR EXTRA COAX CONTACTS, USE PART NUMBER M80-305/306/307/308/309.
  - RECOMMENDED HAND CRIMP TOOL FOR COAX INNER CONTACT = Z80-292 WITH POSITIONER Z80-291 AND RECOMMENDED HAND CRIMP TOOL AND DIE SET FOR COAX SLEEVE = Z80-293.
  - COAX CONTACT EXTRACTION TOOL = Z80-290.
  - INSTRUCTION SHEETS ARE AVAILABLE.

MSP	2	11.05.15	12566
NAME	ISS.	DATE	C/NOTE
APPROVED:		M.PERREN	
CHECKED:		S.BENNETT	
DRAWN:		C.PENROSE	
CUSTOMER REF.:			
ASSEMBLY DRG:			

DIMENSION	CALCULATION
DIM 'A'	4 x No. OF CONTACTS - 4.00
DIM 'B'	4 x No. OF CONTACTS + 5.00
DIM 'C'	4 x No. OF CONTACTS + 10.00
EXAMPLE: CONNECTOR WITH 08 COAX CONTACTS, M80-400000FE-08-305-00-000 DIM 'A' = 28.00mm, DIM 'B' = 37.00mm, DIM 'C' = 42.00mm	

**HARWIN**

www.harwin.com  
 technical@harwin.com

THIS DRAWING AND ANY INFORMATION OR DESCRIPTIVE MATTER SET OUT HEREON ARE CONFIDENTIAL AND COPYRIGHT PROPERTY OF THE HARWIN GROUP AND MUST NOT BE DISCLOSED, LOANED, COPIED OR USED FOR MANUFACTURING, TENDERING OR FOR ANY OTHER PURPOSE WITHOUT THEIR WRITTEN PERMISSION.

**TOLERANCES**  
 X. = ±1mm  
 X.X = ±0.50mm  
 X.XX = ±0.10mm  
 X.XXX = ±0.01mm  
 ANGLES = ±5°  
 UNLESS STATED

**MATERIAL:**  
 SEE ABOVE  
**FINISH:** SEE ABOVE  
**S/AREA:** mm<sup>2</sup>

**TITLE:** DATAMATE MIX-TEK FEMALE HORIZONTAL POWER ASSEMBLY WITH GUIDE PINS AND BOARD MOUNT  
**DRAWING NUMBER:** M80-400000FE-XX-XXX-00-000  
 SHT 4 OF 6

# Customer Information Sheet

DRAWING No.: M80-4000000FE-XX-XXX-00-000

SHEET 5 OF 6

IF IN DOUBT - ASK

(C)

NOT TO SCALE

THIRD ANGLE PROJECTION

ALL DIMENSIONS IN mm

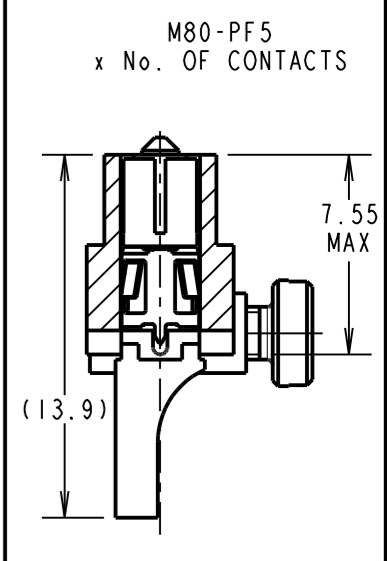
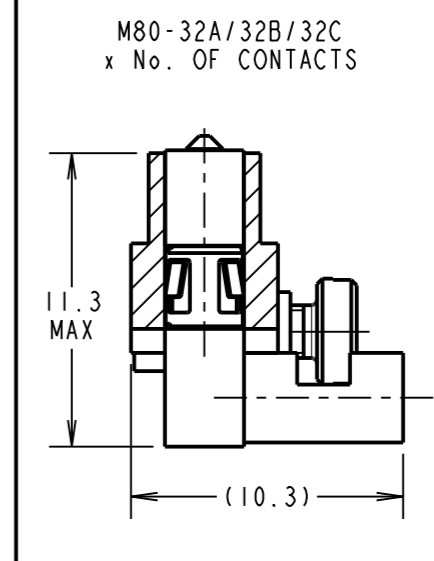
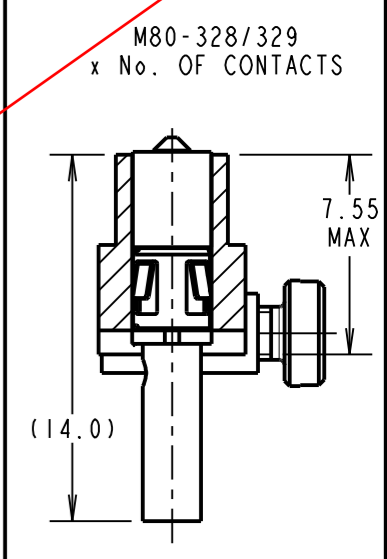
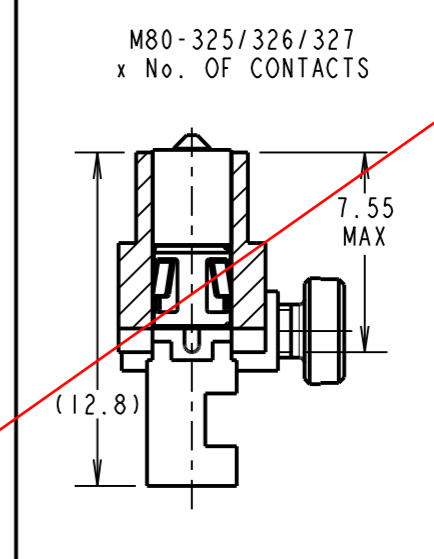
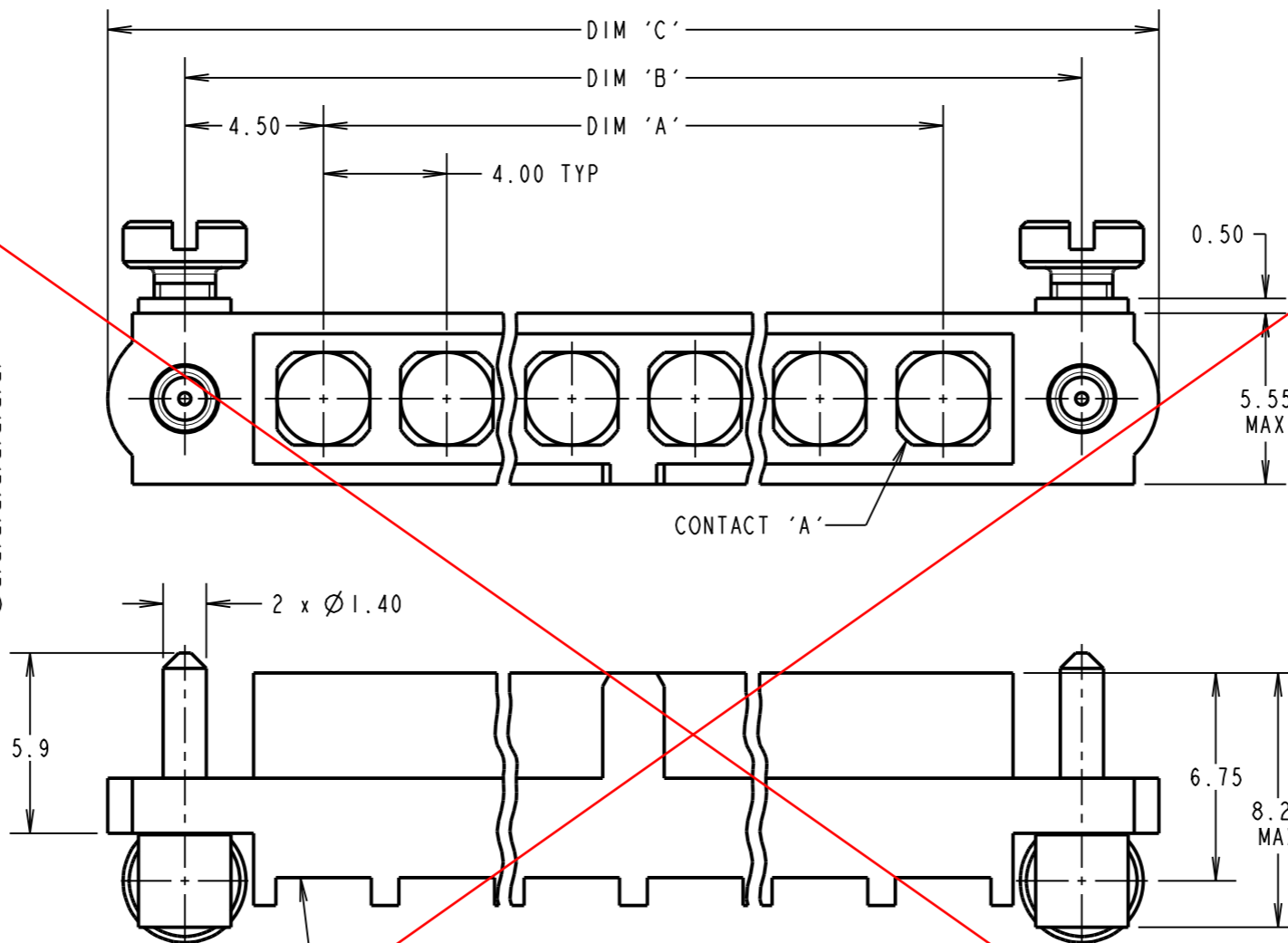
**SPECIFICATIONS:**

**MATERIAL:**  
 Moulding: GLASS FILLED PPS, UL94V-0, BLACK  
**POWER CONTACT:**  
 BODY = COPPER ALLOY  
 LATCHING COLLAR = BERYLLIUM COPPER  
 GUIDE PIN, SCREW = STAINLESS STEEL  
**FINISH:**  
**POWER CONTACT:**  
 BODY, SLEEVE, INNER CONTACT, END PLUG = GOLD  
 LATCHING COLLAR = NICKEL  
**ELECTRICAL:**  
 WORKING VOLTAGE = 800V AC/DC  
 VOLTAGE PROOF = 1200V AC/DC  
 INSULATION RESISTANCE = 100MΩ MIN  
**POWER CONTACT:**  
 CONTACT RESISTANCE = 6mΩ MAX  
 CURRENT RATING = M80-325 = 20A MAX WITH 12AWG  
 M80-326 = 15A MAX WITH 14AWG  
 M80-327 = 10A MAX WITH 16AWG  
 M80-328 = 8A MAX WITH 18AWG  
 M80-329 = 5A MAX WITH 20AWG  
 M80-32A = 20A MAX WITH 12AWG  
 M80-32B = 15A MAX WITH 14AWG  
 M80-32C = 10A MAX WITH 16AWG  
 M80-PF5 = 40A MAX WITH 10AWG  
 CONTACT AS SPECIFIED

**MECHANICAL:**  
 DURABILITY = 500 OPERATIONS  
**POWER CONTACT:**  
 INSERTION FORCE:  
 M80-325/326/327/328/329/  
 32A/32B/32C = 8N MAX  
 M80-PF5 = 15N MAX  
 WITHDRAWAL FORCE = 0.5N MIN  
**ENVIRONMENTAL:**  
 TEMPERATURE RANGE:  
 M80-325/326/327/328/329/  
 32A/32B/32C = -55°C TO +125°C  
 M80-PF5 = -55°C TO +150°C

**PACKING:**  
 BAG  
 FOR COMPLETE SPECIFICATION SEE COMPONENT SPECIFICATION C005XX (LATEST ISSUE)

## POWER CRIMP AND SOLDER CONTACTS ONLY



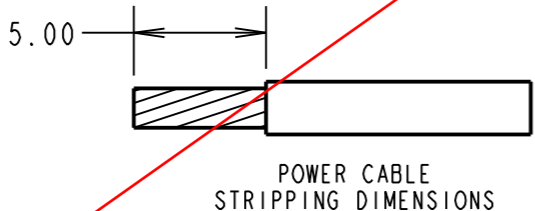
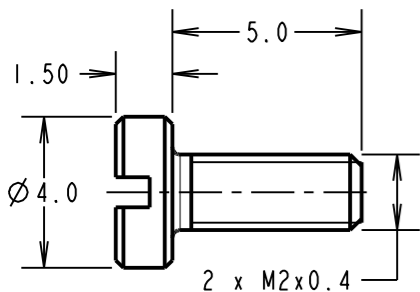
**OBSOLETE**

ORDER CODE: (POWER CRIMP/SOLDER)  
**M80-4000000FE-XX-XXX-00-000**

TOTAL No. OF CONTACTS: \_\_\_\_\_  
 02 TO 12

**SPECIAL CONTACTS:**  
 325 = POWER CONTACT SOLDER 12AWG M80-325  
 326 = POWER CONTACT SOLDER 14AWG M80-326  
 327 = POWER CONTACT SOLDER 16AWG M80-327  
 328 = POWER CONTACT SOLDER OR CRIMP 18AWG M80-328  
 329 = POWER CONTACT SOLDER OR CRIMP 20AWG M80-329  
 32A = 90° POWER CONTACT SOLDER 12AWG M80-32A  
 32B = 90° POWER CONTACT SOLDER 14AWG M80-32B  
 32C = 90° POWER CONTACT SOLDER 16AWG M80-32C  
 PF5 = POWER CONTACT SOLDER 10AWG M80-PF5

- NOTES:**
- CONNECTORS ARE SUPPLIED WITH CONTACTS LOOSE.
  - FOR EXTRA POWER CONTACTS, USE PART NUMBERS: M80-325/326/327/328/329/32A/32B/32C/PF5.
  - POWER CONTACT EXTRACTION TOOL = Z80-290.
  - INSTRUCTION SHEETS ARE AVAILABLE.
  - RECOMMENDED HAND CRIMP TOOL FOR CONTACTS M80-328/329 = Z80-294 WITH POSITIONER Z80-295.
  - POWER CONTACT WIRE, STRIP BY 5.00mm MINIMUM.



DIMENSION	CALCULATION
DIM 'A'	4 x No. OF CONTACTS - 4.00
DIM 'B'	4 x No. OF CONTACTS + 5.00
DIM 'C'	4 x No. OF CONTACTS + 10.00
EXAMPLE: CONNECTOR WITH 08 POWER CONTACTS, M80-4000000FE-08-305-00-000 DIM 'A' = 28.00mm, DIM 'B' = 37.00mm, DIM 'C' = 42.00mm	

**HARWIN**

www.harwin.com  
 technical@harwin.com

THIS DRAWING AND ANY INFORMATION OR DESCRIPTIVE MATTER SET OUT HEREON ARE CONFIDENTIAL AND COPYRIGHT PROPERTY OF THE HARWIN GROUP AND MUST NOT BE DISCLOSED, LOANED, COPIED OR USED FOR MANUFACTURING, TENDERING OR FOR ANY OTHER PURPOSE WITHOUT THEIR WRITTEN PERMISSION.

**TOLERANCES**  
 X. = ±1mm  
 X.X = ±0.50mm  
 X.XX = ±0.10mm  
 X.XXX = ±0.01mm  
 ANGLES = ±5°  
 UNLESS STATED

**MATERIAL:**  
 SEE ABOVE  
**FINISH:** SEE ABOVE  
**S/AREA:** mm<sup>2</sup>

**TITLE:** DATAMATE MIX-TEK FEMALE HORIZONTAL POWER ASSEMBLY WITH GUIDE PINS AND BOARD MOUNT  
**DRAWING NUMBER:** M80-4000000FE-XX-XXX-00-000

MSP	2	11.05.15	12566
NAME	ISS.	DATE	C/NOTE
APPROVED:	M.PERREN		
CHECKED:	S.BENNETT		
DRAWN:	C.PENROSE		
CUSTOMER REF.:			
ASSEMBLY DRG:			

SHT 5 OF 6

# Customer Information Sheet

DRAWING No.: M80-400000FE-XX-XXX-00-000

SHEET 6 OF 6

IF IN DOUBT - ASK

(C)

NOT TO SCALE

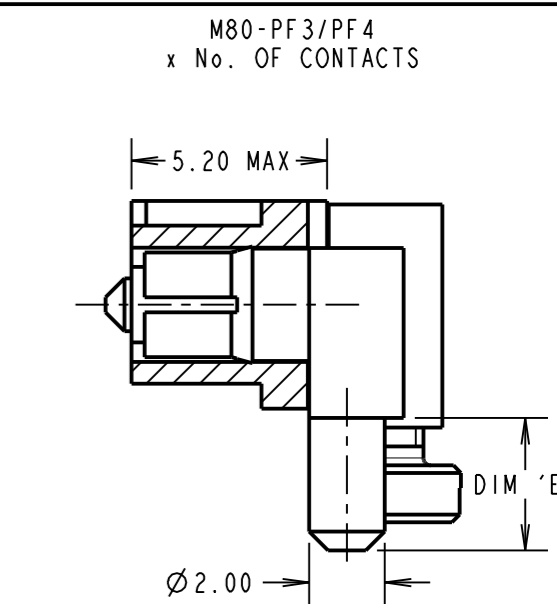
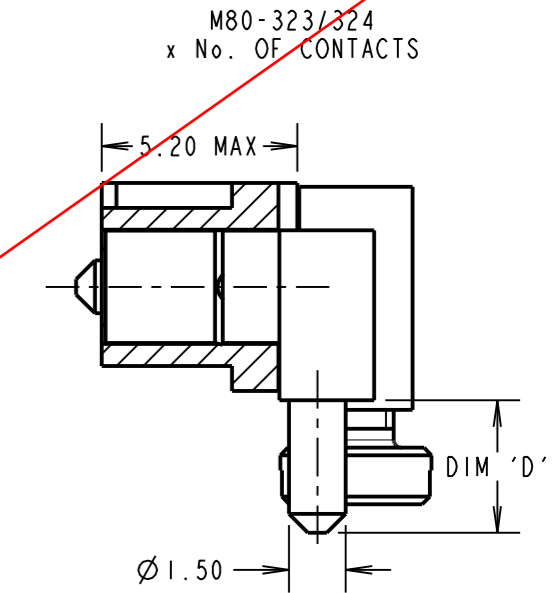
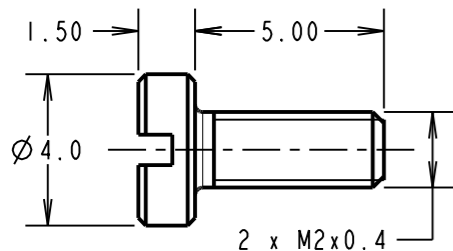
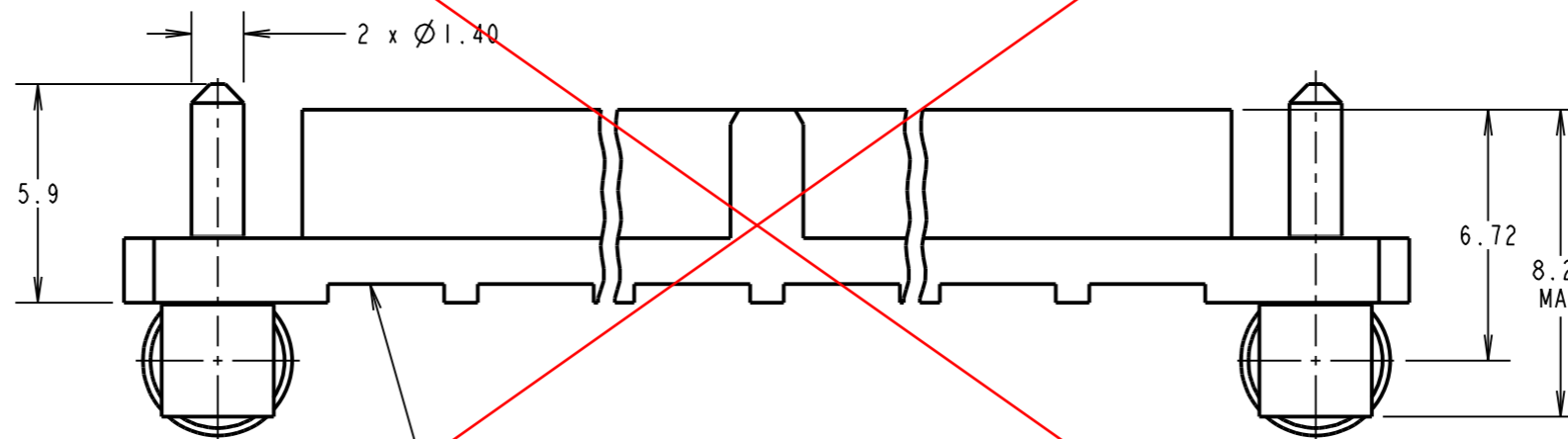
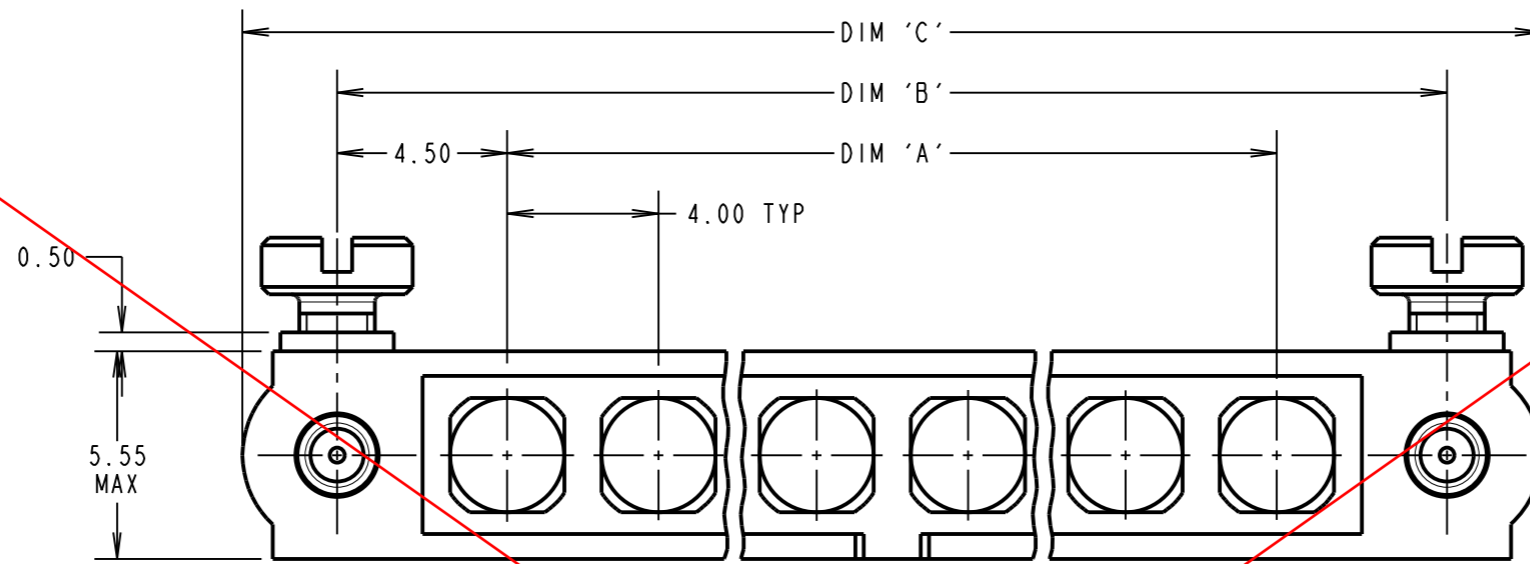
THIRD ANGLE PROJECTION

ALL DIMENSIONS IN mm

**SPECIFICATIONS:**

**MATERIAL:**  
 MOULDING: GLASS FILLED PPS, UL94V-0, BLACK  
 POWER CONTACT: COPPER ALLOY  
 COAX CONTACT:  
 BODY = COPPER ALLOY  
 INNER CONTACT = COPPER ALLOY  
 INSULATOR = PTFE  
 GUIDE PIN, SCREW = STAINLESS STEEL  
**FINISH:**  
 POWER CONTACT: GOLD  
 COAX CONTACT: BODY, INNER CONTACT = GOLD  
**ELECTRICAL:**  
 WORKING VOLTAGE = 800V AC/DC  
 VOLTAGE PROOF = 1200V AC/DC  
 INSULATION RESISTANCE = 100MΩ MIN  
**POWER CONTACT:**  
 CONTACT RESISTANCE = 6mΩ MAX  
**CURRENT RATING:**  
 M80-323/324 = 20A MAX  
 M80-PF3/PF4 = 40A MAX  
**MECHANICAL:**  
 DURABILITY = 500 OPERATIONS  
**POWER CONTACT:**  
 INSERTION FORCE:  
 M80-323/324 = 8N MAX  
 M80-PF3/PF4 = 15N MAX  
 WITHDRAWAL FORCE = 0.5N MIN  
**ENVIRONMENTAL:**  
 TEMPERATURE RANGE:  
 M80-323/324 = -55°C TO +125°C  
 M80-PF3/PF4 = -55°C TO +150°C  
**PACKING:**  
 TUBE  
 FOR COMPLETE SPECIFICATION SEE COMPONENT SPECIFICATION C005XX (LATEST ISSUE)

## PC TAIL HORIZONTAL CONTACTS ONLY



ORDER CODE:  
 (FEMALE HORIZONTAL POWER CONTACTS ONLY)  
**M80-400000FE-XX-XXX-00-000**

TOTAL No. OF CONTACTS:  
 02 TO 12

FEMALE HORIZONTAL POWER CONTACTS:  
 323 = 20A POWER CONTACT PC TAIL 3.5mm M80-323  
 324 = 20A POWER CONTACT PC TAIL 5.0mm M80-324  
 PF3 = 40A POWER CONTACT PC TAIL 3.5mm M80-PF3  
 PF4 = 40A POWER CONTACT PC TAIL 5.0mm M80-PF4

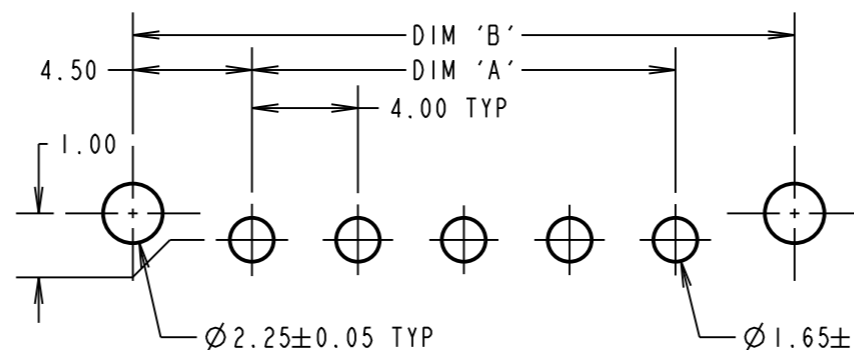
DIMENSION	CALCULATION
DIM 'A'	4 x No. OF CONTACTS - 4.00
DIM 'B'	4 x No. OF CONTACTS + 5.00
DIM 'C'	4 x No. OF CONTACTS + 10.00
DIM 'D'	M80-323 = 3.50mm, M80-324 = 5.00mm
DIM 'E'	M80-PF3 = 3.50mm, M80-PF4 = 5.00mm

EXAMPLE 1: CONNECTOR WITH 10 POWER CONTACTS 3.5mm,  
 M80-400000FE-10-323-00-000  
 DIM 'A' = 36.00mm, DIM 'B' = 45.00mm, DIM 'C' = 50.00mm  
 DIM 'D' = 3.50mm

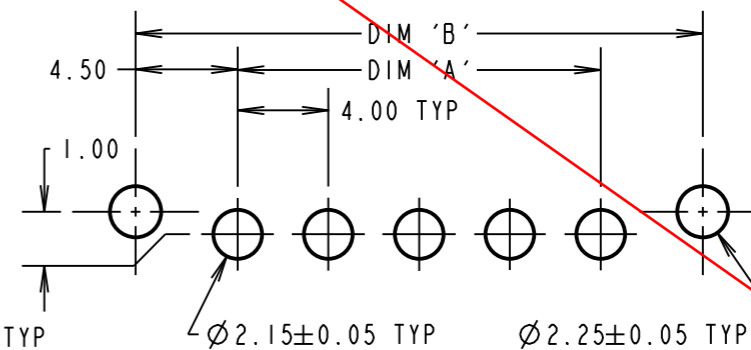
SPECIAL CONTACTS HIDDEN FOR ILLUSTRATION ONLY  
 SEE ORDER CODE FOR PART No. TO BE ASSEMBLED

# OBSOLETE

RECOMMENDED PCB LAYOUT FOR  
 POWER CONTACTS: M80-323/324



RECOMMENDED PCB LAYOUT FOR  
 POWER CONTACTS: M80-PF3/PF4



MSP	2	11.05.15	12566
NAME	ISS.	DATE	C/NOTE
APPROVED:	M.PERREN		
CHECKED:	S.BENNETT		
DRAWN:	C.PENROSE		
CUSTOMER REF.:			
ASSEMBLY DRG:			

## HARWIN

www.harwin.com  
 technical@harwin.com

THIS DRAWING AND ANY INFORMATION OR DESCRIPTIVE MATTER SET OUT HEREON ARE CONFIDENTIAL AND COPYRIGHT PROPERTY OF THE HARWIN GROUP AND MUST NOT BE DISCLOSED, LOANED, COPIED OR USED FOR MANUFACTURING, TENDERING OR FOR ANY OTHER PURPOSE WITHOUT THEIR WRITTEN PERMISSION.

**TOLERANCES**  
 X. = ±1mm  
 X.X = ±0.50mm  
 X.XX = ±0.10mm  
 X.XXX = ±0.01mm  
 ANGLES = ±5°  
 UNLESS STATED

**MATERIAL:**  
 SEE ABOVE  
**FINISH:** SEE ABOVE  
**S/AREA:** mm<sup>2</sup>

**TITLE:** DATAMATE MIX-TEK FEMALE HORIZONTAL POWER ASSEMBLY WITH GUIDE PINS AND BOARD MOUNT  
**DRAWING NUMBER:** M80-400000FE-XX-XXX-00-000  
 SHT 6 OF 6