



Chipsmall Limited consists of a professional team with an average of over 10 year of expertise in the distribution of electronic components. Based in Hongkong, we have already established firm and mutual-benefit business relationships with customers from,Europe,America and south Asia,supplying obsolete and hard-to-find components to meet their specific needs.

With the principle of “Quality Parts,Customers Priority,Honest Operation,and Considerate Service”,our business mainly focus on the distribution of electronic components. Line cards we deal with include Microchip,ALPS,ROHM,Xilinx,Pulse,ON,Everlight and Freescale. Main products comprise IC,Modules,Potentiometer,IC Socket,Relay,Connector.Our parts cover such applications as commercial,industrial, and automotives areas.

We are looking forward to setting up business relationship with you and hope to provide you with the best service and solution. Let us make a better world for our industry!



## Contact us

Tel: +86-755-8981 8866 Fax: +86-755-8427 6832

Email & Skype: info@chipsmall.com Web: www.chipsmall.com

Address: A1208, Overseas Decoration Building, #122 Zhenhua RD., Futian, Shenzhen, China



# Customer Information Sheet

DRAWING No.: M80-459XX98

SHT 2 OF 2

IF IN DOUBT - ASK

(C)

NOT TO SCALE

THIRD ANGLE PROJECTION

ALL DIMENSIONS IN mm

## SPECIFICATION:

### MATERIAL:

HOUSING = GLASS-FILLED POLYAMIDE 46,  
UL94V-0, BLACK  
101LOK SCREW, COLLAR = STAINLESS STEEL  
SPRING = MUSIC WIRE

### FINISH:

SPRING = TIN COATED

### ELECTRICAL:

CURRENT RATING AT 25°C = 3.0A MAX  
CURRENT RATING AT 85°C = 2.2A MAX  
WORKING VOLTAGE = 800V AC/DC  
VOLTAGE PROOF = 1200V AC/DC  
CONTACT RESISTANCE = 25 mΩ MAX  
INSULATION RESISTANCE = 100 MΩ MIN

### MECHANICAL:

DURABILITY = 400 OPERATIONS  
INSERTION FORCE = 2.8N MAX  
WITHDRAWAL FORCE = 0.2N MIN

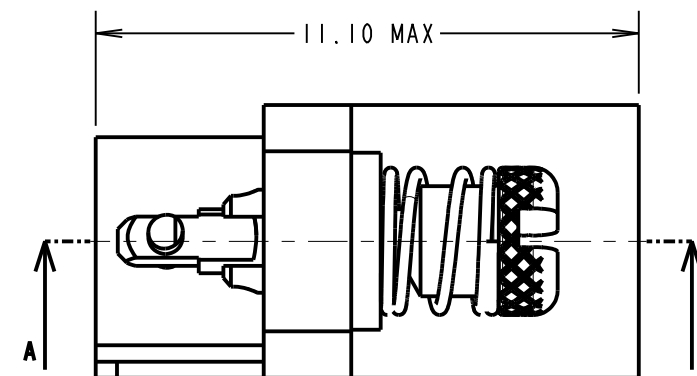
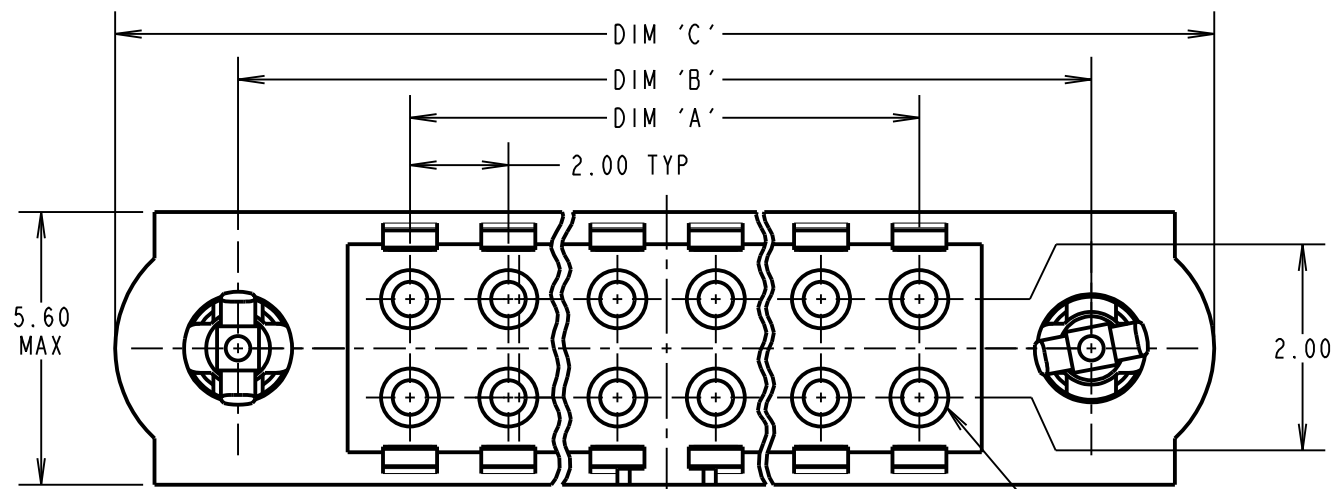
### ENVIRONMENTAL:

TEMPERATURE RANGE = -55°C TO +125°C

### PACKING:

BAG

FOR COMPLETE SPECIFICATION,  
SEE COMPONENT SPECIFICATION  
C040XX (LATEST ISSUE)



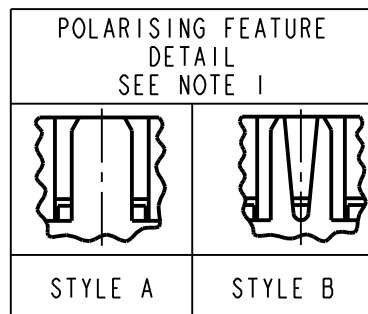
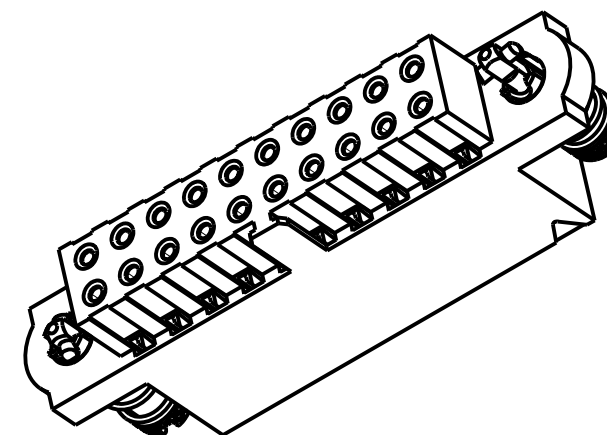
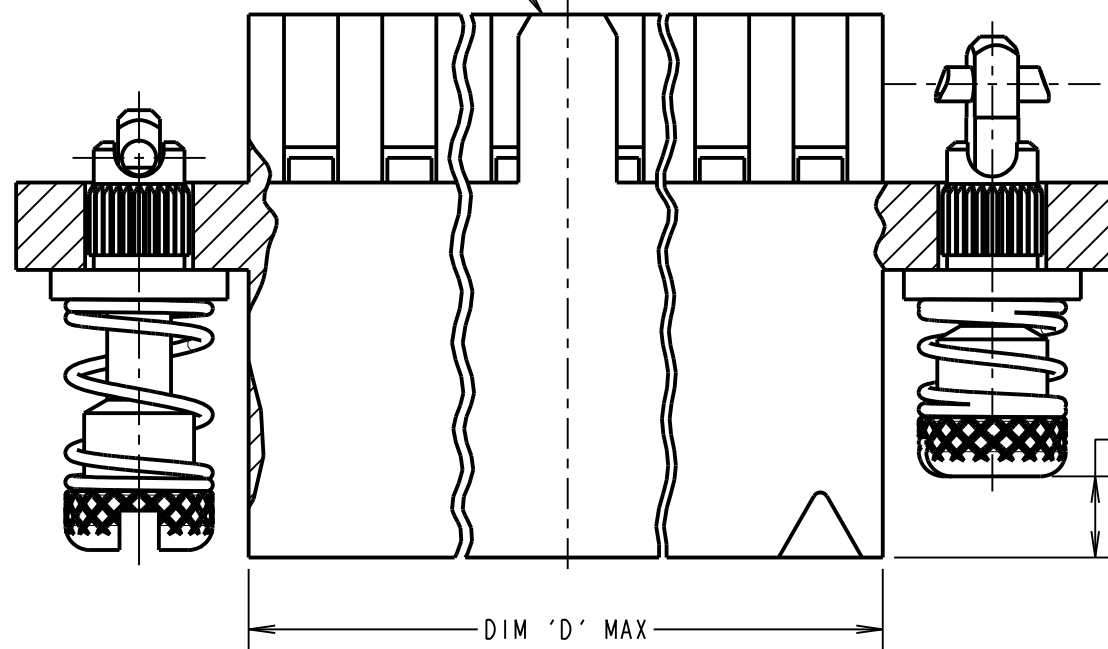
CONTACT  
POSITION No. 1

## NOTES:

1. POLARISING FEATURE STYLE DEPENDANT ON NUMBER OF CONTACT POSITIONS.
2. HOUSING TO BE USED WITH DATAMATE TRIO-TEK CRIMP CONTACTS:  
M80-25300XX = 24-22 AWG REELED  
M80-25400XX = 28-26 AWG REELED  
M80-28300XX = 24-22 AWG LOOSE  
M80-28400XX = 28-26 AWG LOOSE
3. THE SPECIFICATION APPLIES WHEN HOUSING IS USED WITH THE ABOVE CONTACTS.
4. CONTACT EXTRACTION TOOL = Z80-258.
5. INSTRUCTION SHEETS ARE AVAILABLE.
6. SPRING LOAD WHEN SOLID = 2.64N.  
SPRING RATE = 1.32N/mm.
7. LENGTH WILL BE 1.7mm WHEN 101-SCREWS ARE ENGAGED WITH RETAINERS IN MATING CONNECTOR.

POLARISING FEATURE  
SEE DETAIL

PART SECTION A-A



ORDER CODE:

**M80-459XX98**

TOTAL No. OF  
CONTACT POSITIONS  
04, 06, 08, 10, 12, 14, 20,  
26, 28, 34, 42, 50

PLEASE CONTACT  
datamate@harwin.com  
FOR CURRENT AVAILABILITY

MSP	6	20.01.17	20389
NAME	ISS.	DATE	C/NOTE
APPROVED: M.PERREN			
CHECKED: M.PLESTED			
DRAWN: S.FLOWER			
CUSTOMER REF.:			
ASSEMBLY DRG:			

DIMENSION	CALCULATION
DIM 'A'	TOTAL No. OF CONTACT POSITIONS - 2
DIM 'B'	TOTAL No. OF CONTACT POSITIONS + 5
DIM 'C'	TOTAL No. OF CONTACT POSITIONS + 10
DIM 'D'	TOTAL No. OF CONTACT POSITIONS + 0.59
EXAMPLE: CONNECTOR WITH 20 CONTACT POSITIONS, M80-4592098	
DIM 'A' = 18.00mm, DIM 'B' = 25.00mm, DIM 'C' = 30.00mm	

# HARWIN

www.harwin.com  
technical@harwin.com

THIS DRAWING AND ANY  
INFORMATION OR DESCRIPTIVE  
MATTER SET OUT HEREON ARE  
CONFIDENTIAL AND COPYRIGHT  
PROPERTY OF THE HARWIN  
GROUP AND MUST NOT BE  
DISCLOSED, LOANED, COPIED  
OR USED FOR MANUFACTURING,  
TENDERING OR FOR ANY  
OTHER PURPOSE WITHOUT  
THEIR WRITTEN PERMISSION.

TOLERANCES  
X. = ±1mm  
X.X = ±0.25mm  
X.XX = ±0.10mm  
X.XXX = ±0.01mm  
ANGLES = ±5°  
UNLESS STATED

MATERIAL:  
SEE ABOVE  
FINISH:  
S/AREA: mm<sup>2</sup>

TITLE: DATAMATE TRIO-TEK  
FEMALE CRIMP HOUSING  
WITH 101LOK JACKSCREWS

DRAWING NUMBER:  
**M80-459XX98**

SHT  
2 OF 2