



Chipsmall Limited consists of a professional team with an average of over 10 year of expertise in the distribution of electronic components. Based in Hongkong, we have already established firm and mutual-benefit business relationships with customers from,Europe,America and south Asia,supplying obsolete and hard-to-find components to meet their specific needs.

With the principle of “Quality Parts,Customers Priority,Honest Operation,and Considerate Service”,our business mainly focus on the distribution of electronic components. Line cards we deal with include Microchip,ALPS,ROHM,Xilinx,Pulse,ON,Everlight and Freescale. Main products comprise IC,Modules,Potentiometer,IC Socket,Relay,Connector.Our parts cover such applications as commercial,industrial, and automotives areas.

We are looking forward to setting up business relationship with you and hope to provide you with the best service and solution. Let us make a better world for our industry!



## Contact us

Tel: +86-755-8981 8866 Fax: +86-755-8427 6832

Email & Skype: info@chipsmall.com Web: www.chipsmall.com

Address: A1208, Overseas Decoration Building, #122 Zhenhua RD., Futian, Shenzhen, China



# Customer Information Sheet

DRAWING No.: M80-681XXXX

SHEET 2 OF 2

IF IN DOUBT - ASK

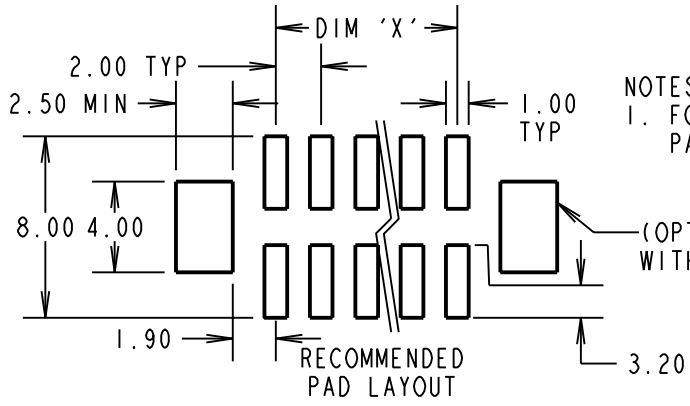
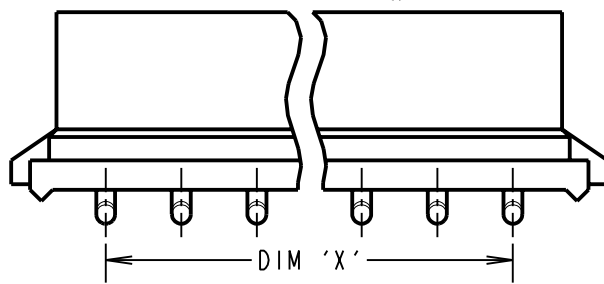
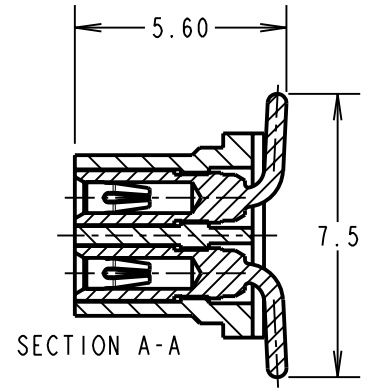
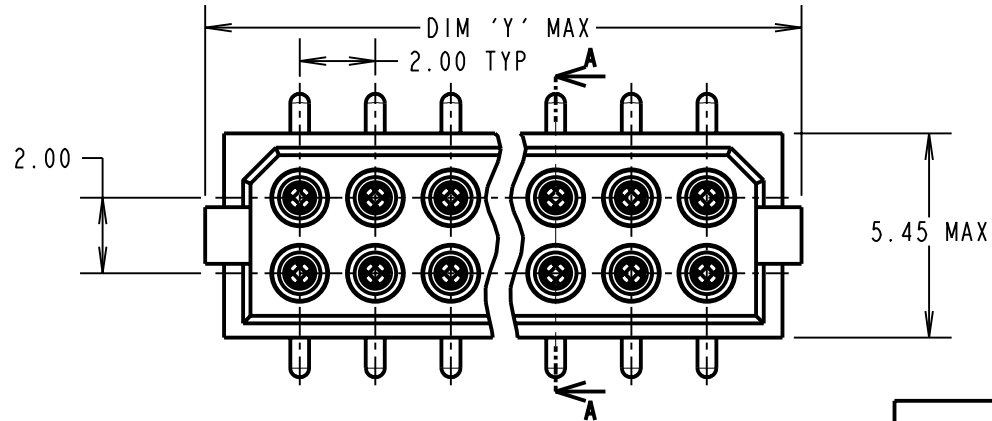
(C)

NOT TO SCALE

THIRD ANGLE PROJECTION

ALL DIMENSIONS IN mm

ASSEMBLY PART No.	No. OF CONTACTS	DIM 'X'	DIM 'Y'
M80-68104XX	4	2.00	7.15
M80-68106XX	6	4.00	9.15
M80-68108XX	8	6.00	11.15
M80-68110XX	10	8.00	13.15
M80-68112XX	12	10.00	15.15
M80-68114XX	14	12.00	17.15
M80-68116XX	16	14.00	19.15
M80-68118XX	18	16.00	21.15
M80-68120XX	20	18.00	23.15
M80-68126XX	26	24.00	29.15
M80-68134XX	34	32.00	37.15
M80-68144XX	44	42.00	47.15



ORDER CODE:  
**M80-681XXXX**

TOTAL No. OF CONTACTS  
 04, 06, 08, 10, 12, 14,  
 16, 18, 20, 26, 34, 44

FINISH  
 01 - GOLD CLIP, TIN/LEAD SHELL  
 42 - GOLD CLIP, 100% TIN SHELL  
 45 - GOLD CLIP, GOLD SHELL

**SPECIFICATIONS:**

**MATERIAL:**  
 MOULDING = GLASS-FILLED POLYAMIDE 46, UL94V-0, BLACK  
 CONTACT CLIP = BERYLLIUM COPPER  
 CONTACT SHELL = BRASS

**FINISH:**  
 01 = 0.3µ GOLD CLIP, 4µ TIN/LEAD SHELL  
 42 = 0.3µ GOLD CLIP, 4µ 100% TIN SHELL  
 45 = 0.3µ GOLD CLIP, 0.3µ GOLD SHELL

**ELECTRICAL:**  
 CURRENT RATING AT 25°C = 3.0A MAX  
 CURRENT RATING AT 85°C = 2.2A MAX  
 WORKING VOLTAGE = 120V AC/DC  
 VOLTAGE PROOF = 360V AC/DC  
 CONTACT RESISTANCE = 25 mΩ MAX  
 INSULATION RESISTANCE = 100 MΩ MIN

**MECHANICAL:**  
 DURABILITY = 500 OPERATIONS  
 INSERTION FORCE = 2.8N MAX, 1.0N MIN  
 WITHDRAWAL FORCE = 1.8N MAX, 0.2N MIN

**ENVIRONMENTAL:**  
 TEMPERATURE RANGE = -55°C TO +125°C  
**PACKING:**  
 TUBE

**NOTES:**  
 1. FOR CONNECTOR WITH PICK AND PLACE PAD, SEE DRAWING M80-681XXXXP.

(OPTIONAL) HOLES REQUIRED FOR USE WITH LATCHED MALE CONNECTORS.

RA	3	19.01.10	10649
NAME	ISS.	DATE	C/NOTE
APPROVED:		R. ADDE	
CHECKED:		M.G.PLESTED	
DRAWN:		W. J. BOURNE	
CUSTOMER REF.:			
ASSEMBLY DRG:			



<b>HARWIN USA</b> TEL: 603 893 5376 FAX: 603 893 5396 mis@harwin.com	<b>HARWIN Europe (UK)</b> TEL: 023 9231 4545 FAX: 023 9231 4590 mis@harwin.co.uk	<b>HARWIN Asia</b> TEL: +65 6 779 4909 FAX: +65 6 779 3868 mis@harwin.com.sg
---	---	---

THIS DRAWING AND ANY INFORMATION OR DESCRIPTIVE MATTER SET OUT HEREON ARE CONFIDENTIAL AND COPYRIGHT PROPERTY OF THE HARWIN GROUP AND MUST NOT BE DISCLOSED, LOANED, COPIED OR USED FOR MANUFACTURING, TENDERING OR FOR ANY OTHER PURPOSE WITHOUT THEIR WRITTEN PERMISSION.

**TOLERANCES**  
 X. = ±1mm  
 X.X = ±0.25mm  
 X.XX = ±0.10mm  
 X.XXX = ±0.01mm  
 ANGLES = ±5°  
 UNLESS STATED

**MATERIAL:**  
 SEE ABOVE

**FINISH:**  
 SEE ABOVE

**S/AREA:**  
 mm<sup>2</sup>

**TITLE:**  
 DATAMATE DIL VERTICAL SMT SOCKET ASSEMBLY

**DRAWING NUMBER:**  
**M80-681XXXX**

SHT 2 OF 2