



Chipsmall Limited consists of a professional team with an average of over 10 year of expertise in the distribution of electronic components. Based in Hongkong, we have already established firm and mutual-benefit business relationships with customers from,Europe,America and south Asia,supplying obsolete and hard-to-find components to meet their specific needs.

With the principle of “Quality Parts,Customers Priority,Honest Operation,and Considerate Service”,our business mainly focus on the distribution of electronic components. Line cards we deal with include Microchip,ALPS,ROHM,Xilinx,Pulse,ON,Everlight and Freescale. Main products comprise IC,Modules,Potentiometer,IC Socket,Relay,Connector.Our parts cover such applications as commercial,industrial, and automotives areas.

We are looking forward to setting up business relationship with you and hope to provide you with the best service and solution. Let us make a better world for our industry!



Contact us

Tel: +86-755-8981 8866 Fax: +86-755-8427 6832

Email & Skype: info@chipsmall.com Web: www.chipsmall.com

Address: A1208, Overseas Decoration Building, #122 Zhenhua RD., Futian, Shenzhen, China



Customer Information Sheet

DRAWING No.: M80-705XXXX

SHEET 2 OF 2

IF IN DOUBT - ASK

©

NOT TO SCALE

THIRD ANGLE PROJECTION

ALL DIMENSIONS IN mm

ORDER CODE:

M80-705XXXX

TOTAL No. OF CONTACTS

27, 36, 45, 51, 63

FINISH:

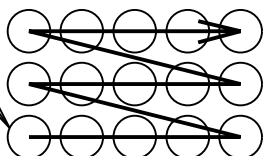
05 - GOLD BODY, GOLD CLIP

POTTING WALLS

BLANK - POTTING WALLS

A = REMOVE POTTING WALLS

CONTACT No. 1
(SEE NOTE 1)



SPECIFICATION:

MATERIALS:

MOULDING = POLYAMIDE 46 UL94V-0

CONTACTS:

SHELL = COPPER ALLOY

CLIP = BERYLLIUM COPPER

JACKSCREWS, CIRCLIPS = STAINLESS STEEL

FINISH:

05 = 0.30µ CLIP, 0.25 - 0.30µ GOLD SHELL

ELECTRICAL:

CURRENT RATING AT 25°C = 3.0A MAX

CURRENT RATING AT 85°C = 2.2A MAX

VOLTAGE PROOF = 360V AC/DC

CONTACT RESISTANCE (INITIAL) = 20mΩ MAX

CONTACT RESISTANCE (AFTER CONDITIONING) = 25mΩ MAX

INSULATION RESISTANCE (INITIAL) = 1000MΩ MIN

INSULATION RESISTANCE (AFTER CONDITIONING) = 100MΩ MIN

MECHANICAL:

DURABILITY = 500 OPERATIONS

INSERTION FORCE = 2.8N MAX, 1.0N MIN

WITHDRAWAL FORCE = 1.8N MAX, 0.2N MIN

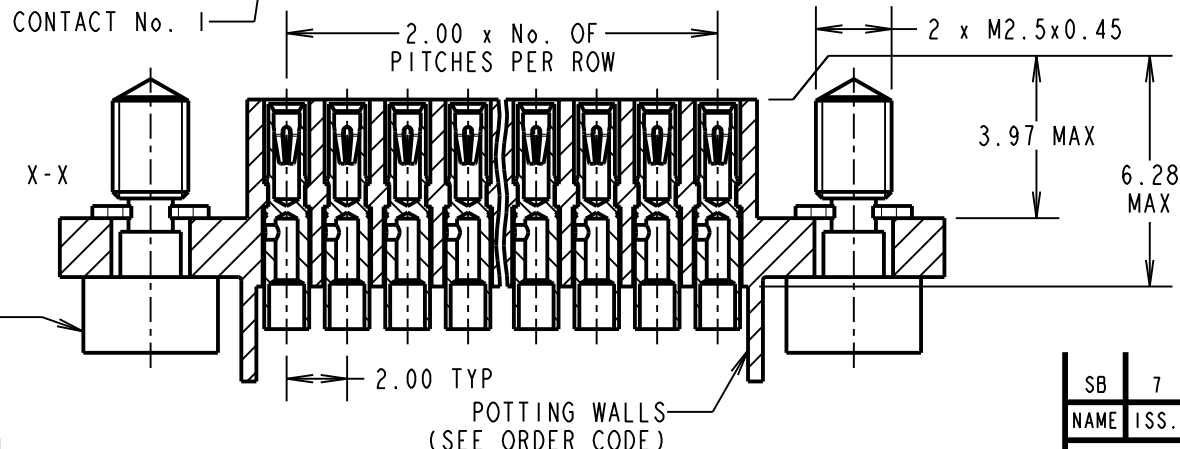
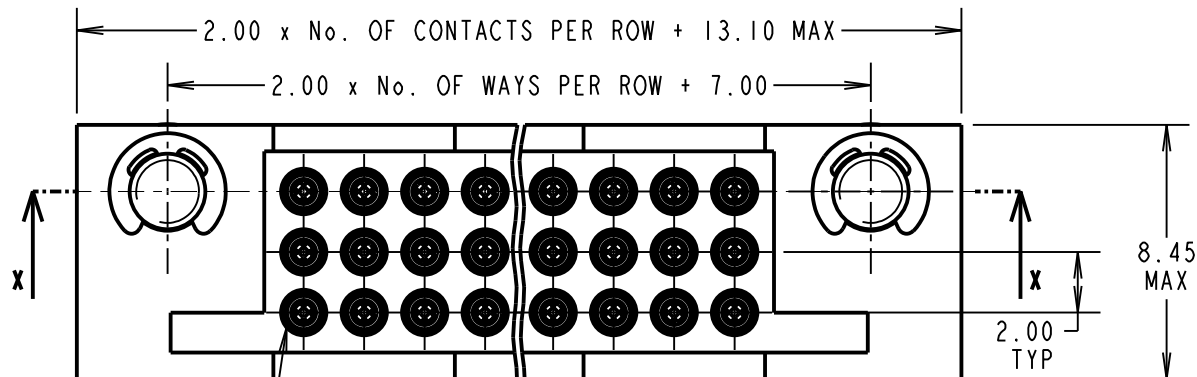
ENVIRONMENTAL:

TEMPERATURE RANGE = -55°C TO +125°C

PACKING:

TRAYS

FOR COMPLETE SPECIFICATION, SEE COMPONENT SPECIFICATION C017XX (LATEST ISSUE)



NOTES:

- FROM No. 1 POSITION, CONTACTS NUMBERED IN SEQUENCE FROM LEFT TO RIGHT AND FROM BOTTOM ROW TO TOP ROW (LOOKING ON MATING FACE).
- RECOMMENDED WIRE TYPE = BS 3G 210 TYPE A, PTFE INSULATED, 24 - 28AWG. MAX INSULATION DIAMETER = \varnothing 1.10mm. STRIP WIRE BY 2.00mm.
- RECOMMENDED HAND CRIMP TOOL = M22520/2-01, WITH POSITIONER T5747. REFER TO CRIMPING INSTRUCTION SHEET IS-01 FOR COMPLETE CRIMPING INSTRUCTIONS.
- CONNECTOR SUPPLIED WITH CONTACTS LOOSE.
- CONTACT INSERTION AND EXTRACTION TOOL = Z80-280. REFER TO INSTRUCTION SHEET IS-25 FOR ASSEMBLY INSTRUCTIONS.

SB	7	17.02.12	11650
NAME	ISS.	DATE	C/NOTE
APPROVED: S.BENNETT			
CHECKED: S.FLOWER			
DRAWN: I. SANDY			
CUSTOMER REF.:			
ASSEMBLY DRG:			

HARWIN

www.harwin.com
technical@harwin.com

THIS DRAWING AND ANY INFORMATION OR DESCRIPTIVE MATTER SET OUT HEREON ARE CONFIDENTIAL AND COPYRIGHT PROPERTY OF THE HARWIN GROUP AND MUST NOT BE DISCLOSED, LOANED, COPIED OR USED FOR MANUFACTURING, TENDERING OR FOR ANY OTHER PURPOSE WITHOUT THEIR WRITTEN PERMISSION.

TOLERANCES
X. = \pm 1mm
X.X = \pm 0.25mm
X.XX = \pm 0.10mm
X.XXX = \pm 0.01mm
ANGLES = \pm 5°
UNLESS STATED

MATERIAL:

SEE ABOVE

FINISH: SEE ABOVE

S/AREA: mm²

TITLE: 3-ROW DATAMATE FEMALE CRIMP SOCKET ASSY (SMALL BORE) WITH JACKSCREWS

DRAWING NUMBER:

M80-705XXXX

SHT
2 OF 2