



Chipsmall Limited consists of a professional team with an average of over 10 year of expertise in the distribution of electronic components. Based in Hongkong, we have already established firm and mutual-benefit business relationships with customers from,Europe,America and south Asia,supplying obsolete and hard-to-find components to meet their specific needs.

With the principle of “Quality Parts,Customers Priority,Honest Operation,and Considerate Service”,our business mainly focus on the distribution of electronic components. Line cards we deal with include Microchip,ALPS,ROHM,Xilinx,Pulse,ON,Everlight and Freescale. Main products comprise IC,Modules,Potentiometer,IC Socket,Relay,Connector.Our parts cover such applications as commercial,industrial, and automotives areas.

We are looking forward to setting up business relationship with you and hope to provide you with the best service and solution. Let us make a better world for our industry!



## Contact us

Tel: +86-755-8981 8866 Fax: +86-755-8427 6832

Email & Skype: info@chipsmall.com Web: www.chipsmall.com

Address: A1208, Overseas Decoration Building, #122 Zhenhua RD., Futian, Shenzhen, China



# Customer Information Sheet

DRAWING No.: M80-788XXX

SHEET 2 OF 2

IF IN DOUBT - ASK

©

NOT TO SCALE

THIRD ANGLE PROJECTION

ALL DIMENSIONS IN mm

**SPECIFICATION:**

**MATERIAL:**  
 MOULDING = GLASS-FILLED POLYAMIDE 46 UL94V-0, BLACK  
 CLIP = BERYLLIUM COPPER  
 SHELL = BRASS  
**FINISH (ALL OVER NICKEL):**  
**CONTACTS:**  
 01 = 0.30µ GOLD CLIP, 4.0µ 100% TIN SHELL  
 05 = 0.30µ GOLD CLIP, 0.28µ GOLD SHELL

**ELECTRICAL:**  
 CURRENT RATING AT 25°C = 3.0A MAX  
 CURRENT RATING AT 85°C = 2.2A MAX  
 WORKING VOLTAGE = 120V AC/DC  
 VOLTAGE PROOF = 360V AC/DC  
**CONTACT RESISTANCE:**  
 INITIAL = 20mΩ MAX  
 AFTER CONDITIONING = 25mΩ MAX  
**INSULATION RESISTANCE:**  
 INITIAL = 1000MΩ MIN  
 AFTER CONDITIONING = 100MΩ MIN

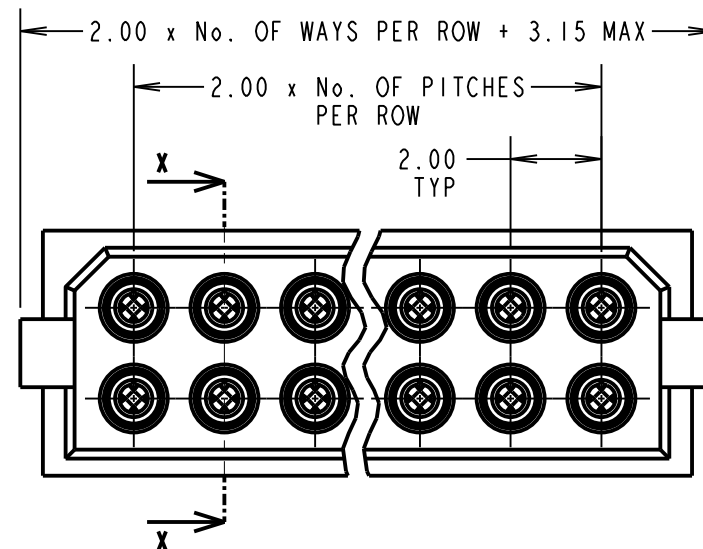
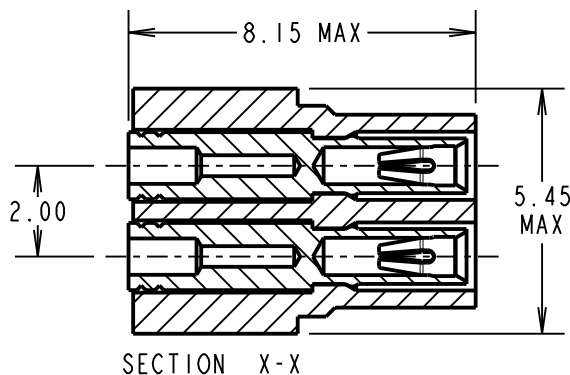
**MECHANICAL:**  
 DURABILITY = 500 OPERATIONS  
 INSERTION FORCE = 2.8N MAX, 1.0N MIN  
 WITHDRAWAL FORCE = 1.8N MAX, 0.2N MIN

**ENVIRONMENTAL:**  
 TEMPERATURE RANGE = -55°C TO +125°C

**PACKING:**  
 BAG (CONTACTS AND MOULDINGS UN-ASSEMBLED)  
 FOR COMPLETE SPECIFICATION, SEE COMPONENT SPECIFICATION C005XX (LATEST ISSUE)

**NOTES:**

- RECOMMENDED WIRE TYPE = PTFE INSULATED, 28 - 32 AWG BS3G210 TYPE A OR MIL-W-16878 TYPE ET WIRE.  
 MAX INSULATION DIAMETER = Ø0.75mm, STRIP WIRE BY 2.00mm.
- RECOMMENDED HAND CRIMP TOOL = M22520/2-01 WITH POSITIONER T5747. REFER TO M22520/2-01 INSTRUCTION SHEET FOR COMPLETE CRIMPING INSTRUCTIONS.
- CONTACT INSERTION AND EXTRACTION TOOL = Z80-280.
- FOR EXTRA CONTACTS, USE ORDER CODE:  
 M80-0190001 FOR M80-788XX01 & M80-0190005 FOR M80-788XX05



ORDER CODE:  
**M80-788XXX**

TOTAL No. OF WAYS: \_\_\_\_\_  
 04 - 20, 26, 34  
 (EVEN No.S ONLY)

FINISH: \_\_\_\_\_  
 01 - GOLD CLIP, TIN SHELL  
 05 - GOLD CLIP, GOLD SHELL

|                     |      |          |        |
|---------------------|------|----------|--------|
| SB                  | 3    | 27.01.12 | 11637  |
| NAME                | ISS. | DATE     | C/NOTE |
| APPROVED: S.BENNETT |      |          |        |
| CHECKED: S.FLOWER   |      |          |        |
| DRAWN: S. MCCULLAGH |      |          |        |
| CUSTOMER REF.:      |      |          |        |
| ASSEMBLY DRG:       |      |          |        |

**HARWIN**

www.harwin.com  
 technical@harwin.com

THIS DRAWING AND ANY INFORMATION OR DESCRIPTIVE MATTER SET OUT HEREON ARE CONFIDENTIAL AND COPYRIGHT PROPERTY OF THE HARWIN GROUP AND MUST NOT BE DISCLOSED, LOANED, COPIED OR USED FOR MANUFACTURING, TENDERING OR FOR ANY OTHER PURPOSE WITHOUT THEIR WRITTEN PERMISSION.

**TOLERANCES**  
 X. = ±1mm  
 X.X = ±0.25mm  
 X.XX = ±0.10mm  
 X.XXX = ±0.01mm  
**ANGLES = ±5°**  
 UNLESS STATED

**MATERIAL:**  
 SEE ABOVE

**FINISH:** SEE ABOVE

**S/AREA:** mm<sup>2</sup>

**TITLE:** DATAMATE L-TEK  
 DIL SOCKET CRIMP ASSY  
 EXTRA SMALL BORE (28 - 32AWG)

**DRAWING NUMBER:**  
**M80-788XXX**

SHT  
 2 OF 2