



Chipsmall Limited consists of a professional team with an average of over 10 year of expertise in the distribution of electronic components. Based in Hongkong, we have already established firm and mutual-benefit business relationships with customers from,Europe,America and south Asia,supplying obsolete and hard-to-find components to meet their specific needs.

With the principle of “Quality Parts,Customers Priority,Honest Operation,and Considerate Service”,our business mainly focus on the distribution of electronic components. Line cards we deal with include Microchip,ALPS,ROHM,Xilinx,Pulse,ON,Everlight and Freescale. Main products comprise IC,Modules,Potentiometer,IC Socket,Relay,Connector.Our parts cover such applications as commercial,industrial, and automotives areas.

We are looking forward to setting up business relationship with you and hope to provide you with the best service and solution. Let us make a better world for our industry!



## Contact us

Tel: +86-755-8981 8866 Fax: +86-755-8427 6832

Email & Skype: info@chipsmall.com Web: www.chipsmall.com

Address: A1208, Overseas Decoration Building, #122 Zhenhua RD., Futian, Shenzhen, China



# Customer Information Sheet

DRAWING No.: M80-880XX98

SHEET 2 OF 2

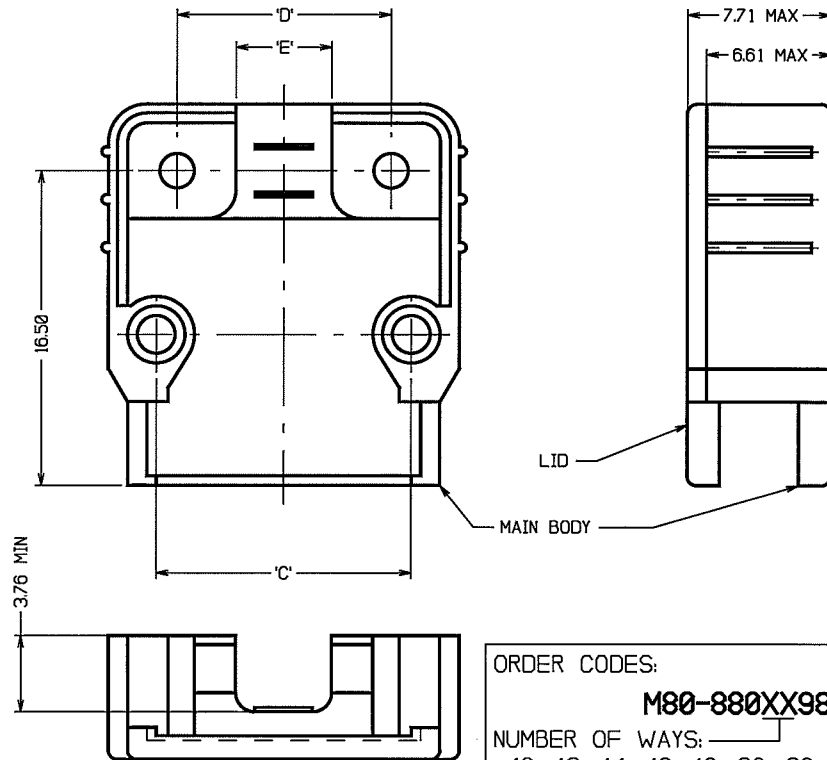
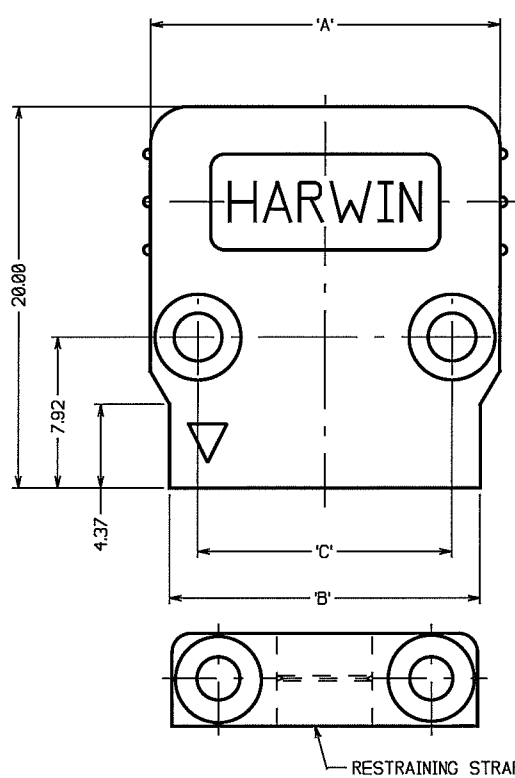
IF IN DOUBT - ASK

©

NOT TO SCALE

THIRD ANGLE PROJECTION

ALL DIMENSIONS IN mm



ORDER CODES:  
**M80-880XX98**  
 NUMBER OF WAYS: \_\_\_\_\_  
 10, 12, 14, 16, 18, 20, 26, 34

ASSEMBLY PART NUMBER	No OF WAYS	DIMENSIONS				
		'A'	'B'	'C'	'D'	'E'
M80-8801098	10	16.30	14.30	11.30	9.15	5.00
M80-8801298	12	18.30	16.30	13.30	11.15	5.00
M80-8801498	14	20.30	18.30	15.30	13.15	6.00
M80-8801698	16	22.30	20.30	17.30	15.15	6.00
M80-8801898	18	24.30	22.30	19.30	17.15	7.00
M80-8802098	20	26.30	24.30	21.30	19.15	8.00
M80-8802698	26	32.30	30.30	27.30	25.15	10.00
M80-8803498	34	40.30	38.30	35.30	33.15	14.00

NOTES:

- ASSEMBLY KIT ALSO INCLUDES 2 OFF 2 x 4.5 LONG FOR STRAP & 2 OFF 2 x 6.0 LONG FOR LID SELF TAPPING SCREWS.
- MATERIAL FOR LID, BODY & STRAP:  
30% GLASS FILLED POLYESTER, UL94V-0, BLACK.
- FOR INSTRUCTION SPECIFICATIONS, SEE INSTRUCTION SHEET IS-08.

RA	5	16.03.09	10311
NAME	ISS.	DATE	C/NOTE
APPROVED: <i>[Signature]</i>			
CHECKED: <i>[Signature]</i>			
DRAWN: P.COLLINS			
CUSTOMER REF.:			
ASSEMBLY DRG:			

## HARWIN

HARWIN USA  
 TEL: 603 893 5376  
 FAX: 603 893 5396  
 mls@harwin.com

HARWIN Europe (UK)  
 TEL: 023 9231 4545  
 FAX: 023 9231 4590  
 mls@harwin.co.uk

HARWIN Asia  
 TEL: +65 6 779 4909  
 FAX: +65 6 779 3868  
 mls@harwin.com.sg

THIS DRAWING AND ANY INFORMATION OR DESCRIPTIVE MATTER SET OUT HEREON ARE CONFIDENTIAL AND COPYRIGHT PROPERTY OF THE HARWIN GROUP AND MUST NOT BE DISCLOSED, LOANED, COPIED OR USED FOR MANUFACTURING, TENDERING OR FOR ANY OTHER PURPOSE WITHOUT THEIR WRITTEN PERMISSION.

TOLERANCES  
 X. - ±1mm  
 X.X - ±0.25mm  
 X.XX - ±0.10mm  
 X.XXX - ±0.01mm  
 ANGLES - ±5°  
 UNLESS STATED

MATERIAL: SEE NOTES  
 FINISH: CLEAN + FLASH FREE  
 S/AREA: mm<sup>2</sup>

TITLE: DATAMATE CABLE HOOD ASSEMBLY/KIT  
 DRAWING NUMBER: **M80-880XX98**  
 SHT 2 OF 2