



Chipsmall Limited consists of a professional team with an average of over 10 year of expertise in the distribution of electronic components. Based in Hongkong, we have already established firm and mutual-benefit business relationships with customers from,Europe,America and south Asia,supplying obsolete and hard-to-find components to meet their specific needs.

With the principle of "Quality Parts,Customers Priority,Honest Operation,and Considerate Service",our business mainly focus on the distribution of electronic components. Line cards we deal with include Microchip,ALPS,ROHM,Xilinx,Pulse,ON,Everlight and Freescale. Main products comprise IC,Modules,Potentiometer,IC Socket,Relay,Connector.Our parts cover such applications as commercial,industrial, and automotives areas.

We are looking forward to setting up business relationship with you and hope to provide you with the best service and solution. Let us make a better world for our industry!



Contact us

Tel: +86-755-8981 8866 Fax: +86-755-8427 6832

Email & Skype: info@chipsmall.com Web: www.chipsmall.com

Address: A1208, Overseas Decoration Building, #122 Zhenhua RD., Futian, Shenzhen, China



Customer Information Sheet

DRAWING No.: M80-9100099 - M80-9170099 SHEET 2 OF 2

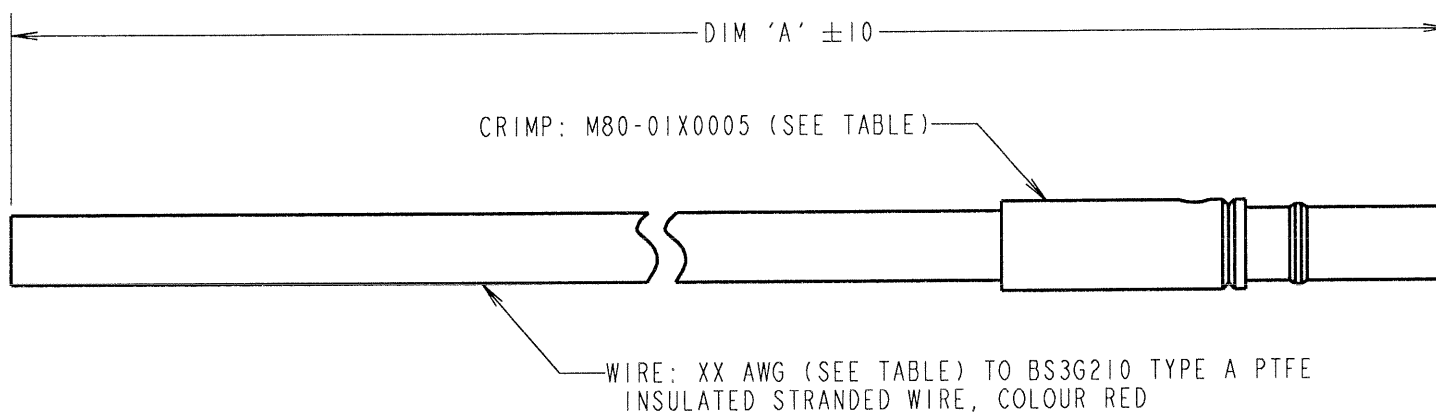
IF IN DOUBT - ASK

(C)

NOT TO SCALE

THIRD ANGLE PROJECTION

ALL DIMENSIONS IN mm



SPECIFICATION:

MATERIAL:

CONTACT SHELL = BRASS
CONTACT CLIP = BERYLLIUM COPPER

FINISH:

CONTACT SHELL = 0.28µ GOLD
CONTACT CLIP = 0.3µ GOLD

PART No.	CRIMP CONTACT	AWG	DIM 'A'
M80-9100099	M80-0110005	22	150
M80-9110099	M80-0130005	24	150
M80-9120099	M80-0130005	26	150
M80-9130099	M80-0130005	28	150
M80-9140099	M80-0110005	22	300
M80-9150099	M80-0130005	24	300
M80-9160099	M80-0130005	26	300
M80-9170099	M80-0130005	28	300

JMB	2	04.12.06	9600
NAME	ISS.	DATE	C/NOTE
APPROVED: <i>JMB</i>			
CHECKED: <i>NBSC</i>			
DRAWN: J. ENRIGHT			
CUSTOMER REF.:			
ASSEMBLY DRG:			

NOTES:

- TO BE USED WITH CRIMP HOUSINGS M80-101XX98, M80-103XX98, M80-1485198, M80-1503098, M80-1522798, M80-1543698, M80-1564598, M80-1586398, M80-1600698, M80-1621598, M80-1642498, M80-1664298, M80-262XX98, M80-264XX98.
- BOTH CRIMP AND WIRE ARE RoHS COMPLIANT.

HARWIN

THIS DRAWING AND ANY INFORMATION OR DESCRIPTIVE MATTER SET OUT HEREON ARE CONFIDENTIAL AND COPYRIGHT PROPERTY OF THE HARWIN GROUP AND MUST NOT BE DISCLOSED, LOANED, COPIED OR USED FOR MANUFACTURING, TENDERING OR FOR ANY OTHER PURPOSE WITHOUT THEIR WRITTEN PERMISSION.

TOLERANCES

X. = ±1mm
X.X = ±0.25mm
X.XX = ±0.10mm
X.XXX = ±0.01mm
ANGLES = ±5°
UNLESS STATED

MATERIAL:

SEE ABOVE

FINISH:

SEE ABOVE

S/AREA:

mm²

TITLE:

PRE-CRIMPED CONTACT
(M80-0110005 / M80-0130005)

DRAWING NUMBER:

M80-9100099 - M80-9170099

SHT
2
OF
2

HARWIN INC
U.S.A.

TEL: (812) 542 2540
FAX: (812) 542 2541

HARWIN PLC
U.K.

TEL: 023 9231 4545
FAX: 023 9231 4590

HARWIN PTE
SINGAPORE

TEL: 65 6779 4909
FAX: 65 6779 3868