



Chipsmall Limited consists of a professional team with an average of over 10 year of expertise in the distribution of electronic components. Based in Hongkong, we have already established firm and mutual-benefit business relationships with customers from,Europe,America and south Asia,supplying obsolete and hard-to-find components to meet their specific needs.

With the principle of “Quality Parts,Customers Priority,Honest Operation,and Considerate Service”,our business mainly focus on the distribution of electronic components. Line cards we deal with include Microchip,ALPS,ROHM,Xilinx,Pulse,ON,Everlight and Freescale. Main products comprise IC,Modules,Potentiometer,IC Socket,Relay,Connector.Our parts cover such applications as commercial,industrial, and automotives areas.

We are looking forward to setting up business relationship with you and hope to provide you with the best service and solution. Let us make a better world for our industry!



Contact us

Tel: +86-755-8981 8866 Fax: +86-755-8427 6832

Email & Skype: info@chipsmall.com Web: www.chipsmall.com

Address: A1208, Overseas Decoration Building, #122 Zhenhua RD., Futian, Shenzhen, China



Customer Information Sheet

DRAWING No.: M80-941XXXX

SHEET 2 OF 2

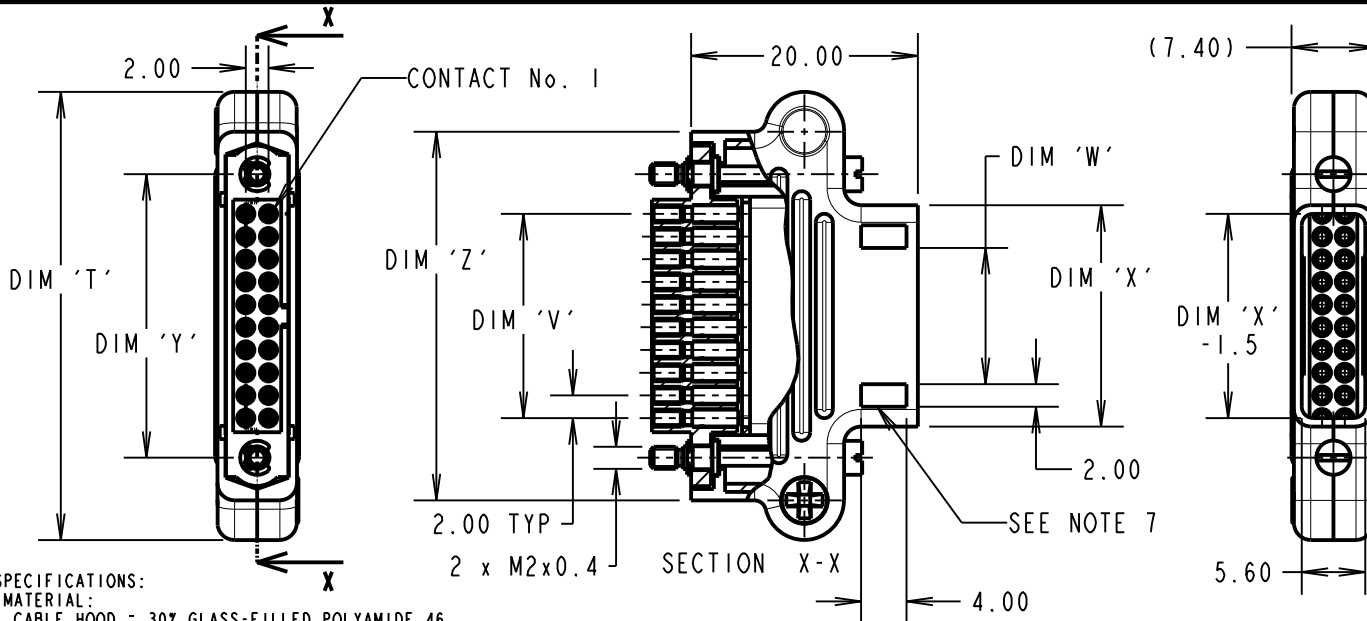
IF IN DOUBT - ASK

Ⓒ

NOT TO SCALE

THIRD ANGLE PROJECTION

ALL DIMENSIONS IN mm



ORDER CODE:
M80-941XXXX
 TOTAL No. OF CONTACTS
 06, 08, 10, 12, 14
 20, 26, 34, 42, 50
 FINISH
 05 - GOLD CLIP, GOLD SHELL
 42 - GOLD CLIP, 100% TIN SHELL

- NOTES:
- CONNECTORS ARE SUPPLIED WITH CONTACTS, CABLE HOOD SET, AND CABLE HOOD FIXING SCREWS LOOSE.
 - FOR EXTRA CONTACTS, USE PART NUMBER M80-01100XX (XX = 05 FOR GOLD FINISH, 01 FOR TIN FINISH).
 - RECOMMENDED WIRE TYPE = BS 3G 210 TYPE A, PTFE INSULATED 22 AWG. MAX INSULATION DIAMETER = $\varnothing 1.10\text{mm}$, STRIP WIRE BY 2.00mm.
 - RECOMMENDED HAND CRIMP TOOL = M22520/2-01 WITH POSITIONER T5747. REFER TO TOOLING INSTRUCTION SHEET IS-01 FOR COMPLETE CRIMPING INSTRUCTIONS.
 - CONTACT INSERTION AND EXTRACTION TOOL = Z80-280. REFER TO TOOLING INSTRUCTION SHEET IS-25 FOR ASSEMBLY INSTRUCTIONS.
 - NO CABLE TIE SLOTS ON M80-94106XX AND M80-94108XX.

SPECIFICATIONS:
MATERIAL:
 CABLE HOOD = 30% GLASS-FILLED POLYAMIDE 46
 DATAMATE MOULDING = 30% GLASS-FILLED PPS,
 UL94V-0, BLACK
 CONTACT = BERYLLIUM COPPER
 JACKSCREW = STAINLESS STEEL
 CABLE HOOD FIXING SCREW = MILD STEEL
FINISH:
 05 = 0.3 μ GOLD CLIP, 0.25-0.3 μ GOLD SHELL
 42 = 0.3 μ GOLD CLIP, 3.5-5.0 μ 100% TIN
 OVER NICKEL SHELL
 CABLE HOOD FIXING SCREW = CHEMI-BLACK
ELECTRICAL:
 CURRENT RATING AT 25°C = 3.0A MAX
 CURRENT RATING AT 85°C = 2.2A MAX
 WORKING VOLTAGE = 800V AC/DC
 VOLTAGE PROOF = 1200V AC/DC
 CONTACT RESISTANCE = 25 m Ω MAX
 INSULATION RESISTANCE = 100 M Ω MIN
MECHANICAL:
 DURABILITY = 500 OPERATIONS
ENVIRONMENTAL:
 TEMPERATURE RANGE = -55°C TO +125°C
PACKING:
 LOOSE
 FOR COMPLETE SPECIFICATION, SEE COMPONENT
 SPECIFICATION C005XX (LATEST ISSUE)

PART NUMBER	No. OF CONTACTS	PART DIMENSIONS					
		DIM 'T'	DIM 'V'	DIM 'W'	DIM 'X'	DIM 'Y'	DIM 'Z'
M80-94106XX	6	25.50	4.00	N/A	5.50	11.00	18.50
M80-94108XX	8	27.50	6.00	N/A	7.50	13.00	20.50
M80-94110XX	10	29.50	8.00	2.00	9.50	15.00	22.50
M80-94112XX	12	31.50	10.00	4.00	11.50	17.00	24.50
M80-94114XX	14	33.50	12.00	6.00	13.50	19.00	26.50
M80-94120XX	20	39.50	18.00	12.00	19.50	25.00	32.50
M80-94126XX	26	45.50	24.00	18.00	22.50	31.00	38.50
M80-94134XX	34	53.50	32.00	26.00	33.50	39.00	46.50
M80-94142XX	42	61.50	40.00	34.00	41.50	47.00	54.50
M80-94150XX	50	69.50	48.00	42.00	49.50	55.00	62.50

SB	6	26.03.12	11691
NAME	ISS.	DATE	C/NOTE
APPROVED: S.BENNETT			
CHECKED: S.FLOWER			
DRAWN: N. CODLING			
CUSTOMER REF.:			
ASSEMBLY DRG:			



www.harwin.com
 technical@harwin.com

THIS DRAWING AND ANY INFORMATION OR DESCRIPTIVE MATTER SET OUT HEREON ARE CONFIDENTIAL AND COPYRIGHT PROPERTY OF THE HARWIN GROUP AND MUST NOT BE DISCLOSED, LOANED, COPIED OR USED FOR MANUFACTURING, TENDERING OR FOR ANY OTHER PURPOSE WITHOUT THEIR WRITTEN PERMISSION.

TOLERANCES
 X. = $\pm 1\text{mm}$
 X.X = $\pm 0.25\text{mm}$
 X.XX = $\pm 0.10\text{mm}$
 X.XXX = $\pm 0.01\text{mm}$
 ANGLES = $\pm 5^\circ$
 UNLESS STATED

MATERIAL:
 SEE ABOVE
FINISH: SEE ABOVE
S/AREA: mm²

TITLE: JACKSCREW DATAMATE DIL CRIMP (LARGE BORE) FEMALE ASSY WITH CABLE HOOD KIT
DRAWING NUMBER: M80-941XXXX
 SHT 2 OF 2