



Chipsmall Limited consists of a professional team with an average of over 10 year of expertise in the distribution of electronic components. Based in Hongkong, we have already established firm and mutual-benefit business relationships with customers from,Europe,America and south Asia,supplying obsolete and hard-to-find components to meet their specific needs.

With the principle of "Quality Parts,Customers Priority,Honest Operation,and Considerate Service",our business mainly focus on the distribution of electronic components. Line cards we deal with include Microchip,ALPS,ROHM,Xilinx,Pulse,ON,Everlight and Freescale. Main products comprise IC,Modules,Potentiometer,IC Socket,Relay,Connector.Our parts cover such applications as commercial,industrial, and automotives areas.

We are looking forward to setting up business relationship with you and hope to provide you with the best service and solution. Let us make a better world for our industry!



Contact us

Tel: +86-755-8981 8866 Fax: +86-755-8427 6832

Email & Skype: info@chipsmall.com Web: www.chipsmall.com

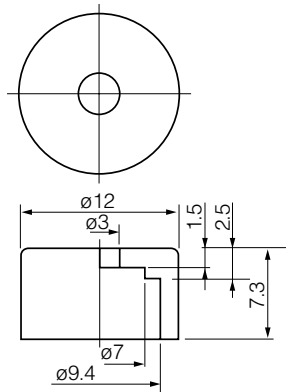
Address: A1208, Overseas Decoration Building, #122 Zhenhua RD., Futian, Shenzhen, China



Rubber Holder for Electret Condenser Microphone Cartridge

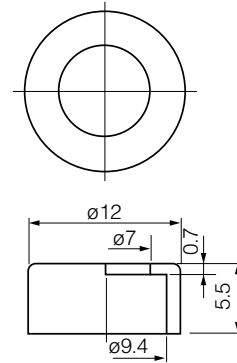
M3CA0208

for WM-52B
WM-54B
WM-55A
WM-55D
WM-56A



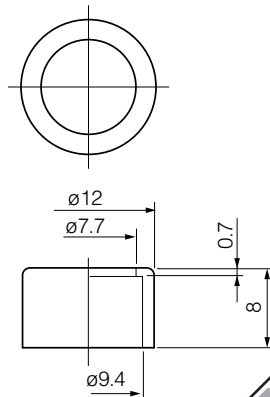
M3CA0207

for WM-52B
WM-54B
WM-55A
WM-55D
WM-56A



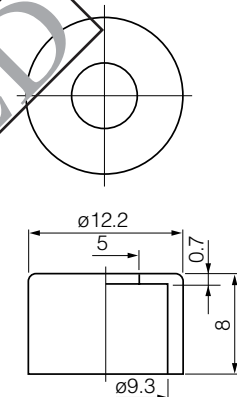
YPM-CH022

for WM-034 series



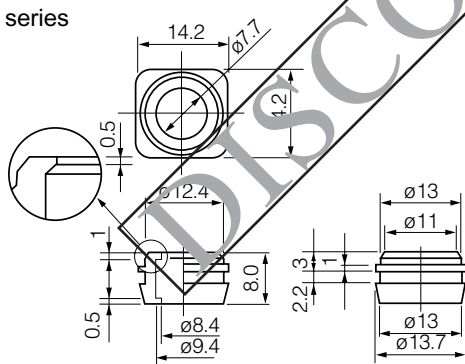
M3CA0082

for WM-034 series



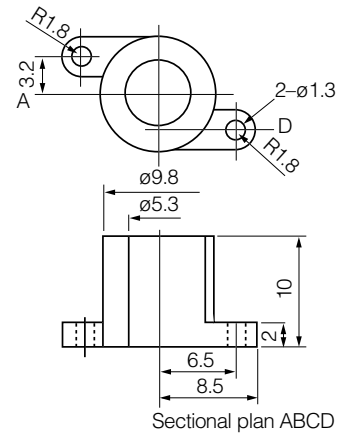
YPM-CH008

for WM-034 series



YPM-CH021

for WM-60A
WM-65A



YPM-CH009

for WM-034 series

