



Chipsmall Limited consists of a professional team with an average of over 10 year of expertise in the distribution of electronic components. Based in Hongkong, we have already established firm and mutual-benefit business relationships with customers from,Europe,America and south Asia,supplying obsolete and hard-to-find components to meet their specific needs.

With the principle of “Quality Parts,Customers Priority,Honest Operation,and Considerate Service”,our business mainly focus on the distribution of electronic components. Line cards we deal with include Microchip,ALPS,ROHM,Xilinx,Pulse,ON,Everlight and Freescale. Main products comprise IC,Modules,Potentiometer,IC Socket,Relay,Connector.Our parts cover such applications as commercial,industrial, and automotives areas.

We are looking forward to setting up business relationship with you and hope to provide you with the best service and solution. Let us make a better world for our industry!



## Contact us

Tel: +86-755-8981 8866 Fax: +86-755-8427 6832

Email & Skype: info@chipsmall.com Web: www.chipsmall.com

Address: A1208, Overseas Decoration Building, #122 Zhenhua RD., Futian, Shenzhen, China

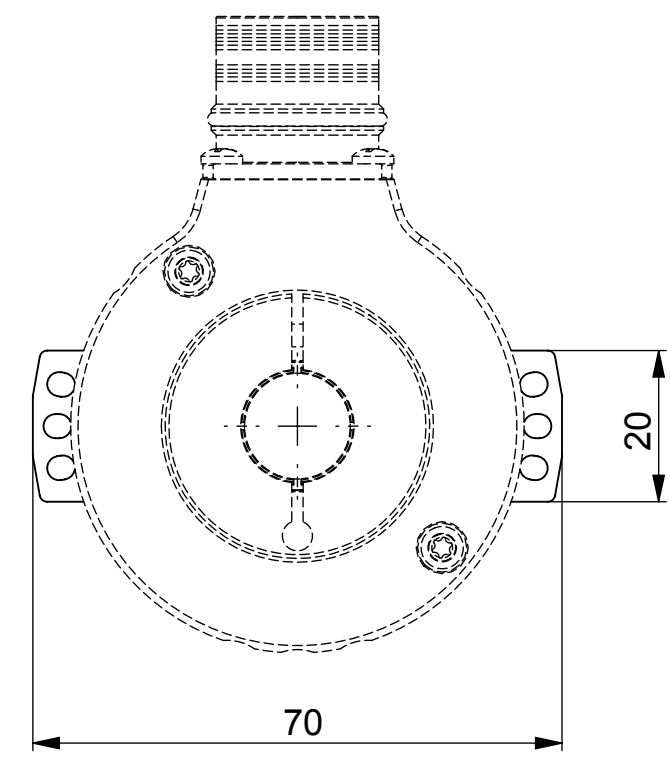
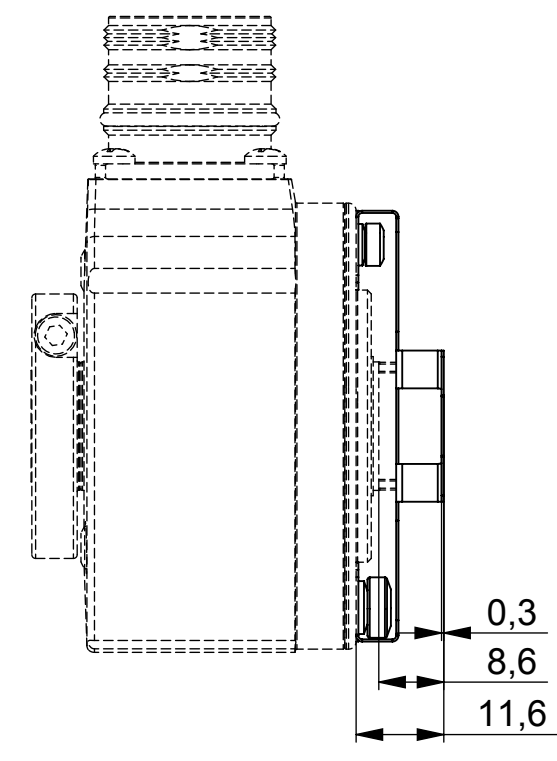
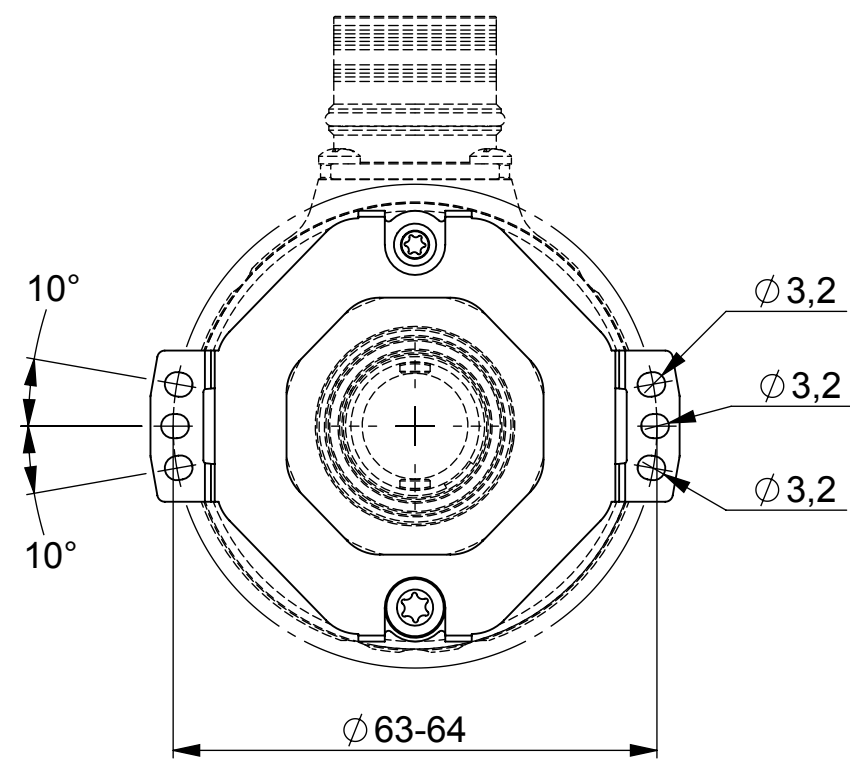


4

3

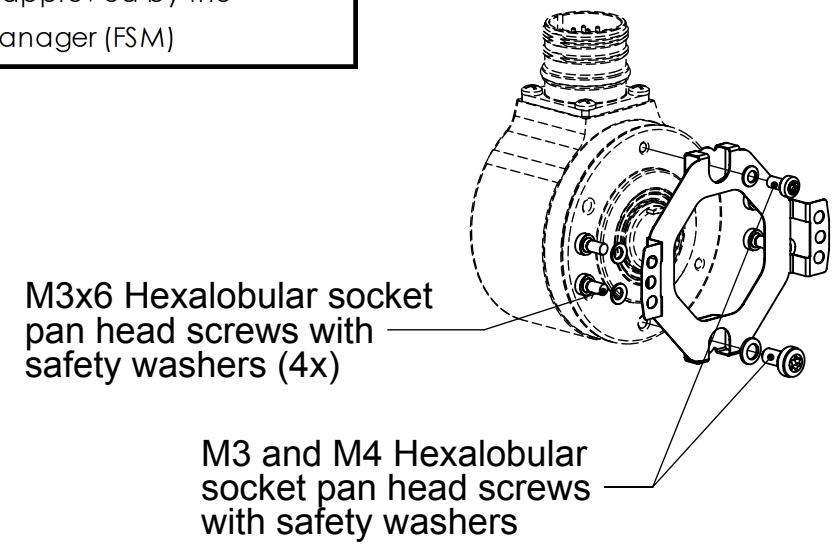
2


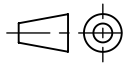
1



**Functional Safety Product - TÜV certified -**  
 Toute modification est soumise à l'approbation du FSM  
 All modifications must be approved by the  
 Functional Safety Manager (FSM)

Ordering reference: **M9445/044**



<b>UNCONTROLLED COPY</b>		 BEI SENSORS SAS Espace Européen de l'Entreprise 9, rue de Copenhague BP 70044 - F 67013 STRASBOURG Cedex Tel : +33 (0)3 88 20 81 40		
FIRST ISSUE DATE : 28/03/2018	SENSATA TECHNOLOGIES PROPRIETARY AND CONFIDENTIAL. NEITHER THIS PRINT NOR THE INFORMATION CONTAINED HEREON IS TO BE USED AGAINST THE INTERESTS OF SENSATA TECHNOLOGIES OR AGAINST THE INTERESTS OF ANY OF ITS AFFILIATED COMPANIES OR WHOLLY OWNED SUBSIDIARIES.	TITLE <b>DSO5 Stator Coupling kit</b>		
DRAWN : RHM		UNLESS OTHERWISE SPECIFIED DIMENSIONS ARE IN MILLIMETERS [INCHES] AND ARE INTENDED AS NOMINAL. SEE PRODUCT SPECIFICATION FOR MORE DETAILS.		
APPROVED : JHH		SIZE A3	DWG NO. <b>M003</b>	REV. A
DATE : 28/03/2018	DO NOT SCALE DRAWING	EUROPEAN SYSTEM	SCALE 1/1	
ECN : .	Housing material : Flange material : Coupling material : Stainless Steel		SOLIDWORKS	SHEET 1 OF 1
DATE :				

4

3

2

1

DEVICE: PROJECT: