



Chipsmall Limited consists of a professional team with an average of over 10 year of expertise in the distribution of electronic components. Based in Hongkong, we have already established firm and mutual-benefit business relationships with customers from,Europe,America and south Asia,supplying obsolete and hard-to-find components to meet their specific needs.

With the principle of “Quality Parts,Customers Priority,Honest Operation,and Considerate Service”,our business mainly focus on the distribution of electronic components. Line cards we deal with include Microchip,ALPS,ROHM,Xilinx,Pulse,ON,Everlight and Freescale. Main products comprise IC,Modules,Potentiometer,IC Socket,Relay,Connector.Our parts cover such applications as commercial,industrial, and automotives areas.

We are looking forward to setting up business relationship with you and hope to provide you with the best service and solution. Let us make a better world for our industry!



## Contact us

Tel: +86-755-8981 8866 Fax: +86-755-8427 6832

Email & Skype: info@chipsmall.com Web: www.chipsmall.com

Address: A1208, Overseas Decoration Building, #122 Zhenhua RD., Futian, Shenzhen, China

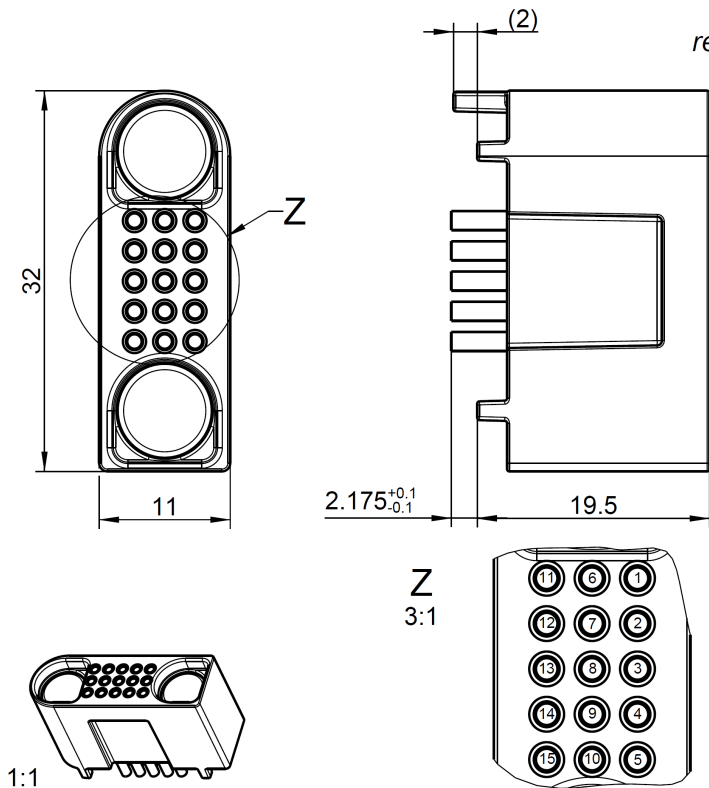


M9

MultiMag 15 Receptacle,  
Cable Solder Version

**M9K102-199L**

Belegungsplan - PCB Kuppler  
*recommended face plan - straight jack pcb*



Pos.	Signal/ signal
1	D4-
2	D4+
3	DC
4	TX+/D1+
5	TX-/D1-
6	DC-Power+
7	DC-Power+
8	Ground
9	DC-Power-
10	DC-Power-
11	D3-
12	D3+
13	DC
14	RX-/D2-
15	RX+/D2+

All dimensions are in mm; tolerances according to ISO 2768 m-H

**General Information**

Magnetic connector  
Coding  
Number and type of contacts  
Soldering

mechanical  
15 rigid pins  
Solder cup for pre-tinned wire with cross section 0.25 mm<sup>2</sup>

**Interface**

Mating with  
MultiMag 15 cable assembly

**Material and Plating**

<b>Connector parts</b>	<b>Material</b>	<b>Plating</b>
Insulator	PBT	white, similar RAL 9003
Contact	Brass	AuroDur®, gold plated
Magnets	NdFeB N52	Nickel

Dieses Dokument ist urheberrechtlich geschützt • This document is protected by copyright • Rosenberger Hochfrequenztechnik GmbH & Co. KG

RF\_35/05.10/6.0

M9

MultiMag 15 Receptacle,  
Cable Solder Version

**M9K102-199L**

**Flammability Rating**

**Connector parts**

Insulator

**Category**

uncolored raw material acc. to UL94 V-0\*

\*Please note that a non UL rated color batch is added

**Electrical Data**

Operating voltage

12 V

Operating current

max. 4.5 A

max. 1.5 A per contact

Contact resistance

typically  $\leq 60 \text{ m}\Omega$

Impedance

$\sim 100 \Omega$  differential pairs

**Mechanical Data**

Mating cycles without load

min. 10.000

Mating cycles under load

min. 1.000

Magnetic retention force

average  $\sim 14 \text{ N}$

**Environmental Data**

Temperature range

-25 °C to +65 °C

Magnets start losing their magnetic properties above 65 °C

Chemical resistance

Isopropanol 70 %

**Compliance**

RoHS

compliant

**Packing**

Standard

25 pcs in blister

Weight

$\sim 16.4 \text{ g/pc}$

**Caution!**

**Magnets can impact the function of pace makers and implantable cardioverter-defibrillators (e.g. actuation of reed switch). Keep a minimum distance of 0.2 m (20 cm) between the magnetic connector and the implanted devices to prevent malfunction and danger to health.**

While the information has been carefully compiled to the best of our knowledge, nothing is intended as representation or warranty on our part and no statement herein shall be construed as recommendation to infringe existing patents. In the effort to improve our products, we reserve the right to make changes judged to be necessary.

Draft	Date	Approved	Date	Rev.	Engineering change number	Name	Date
H. Wurm	12.06.2015	T. Scheuerlein	07.04.17	400	17-0541	M. Schönsmaul	07.04.17
Rosenberger Hochfrequenztechnik GmbH & Co. KG P.O.Box 1260 D-84526 Tittmoning Germany <a href="http://www.rosenberger.de">www.rosenberger.de</a>						Tel. : +49 8684 18-0 Fax : +49 8684 18-499 Email : <a href="mailto:info@rosenberger.de">info@rosenberger.de</a>	
						Page 2 / 2	