



Chipsmall Limited consists of a professional team with an average of over 10 year of expertise in the distribution of electronic components. Based in Hongkong, we have already established firm and mutual-benefit business relationships with customers from,Europe,America and south Asia,supplying obsolete and hard-to-find components to meet their specific needs.

With the principle of “Quality Parts,Customers Priority,Honest Operation,and Considerate Service”,our business mainly focus on the distribution of electronic components. Line cards we deal with include Microchip,ALPS,ROHM,Xilinx,Pulse,ON,Everlight and Freescale. Main products comprise IC,Modules,Potentiometer,IC Socket,Relay,Connector.Our parts cover such applications as commercial,industrial, and automotives areas.

We are looking forward to setting up business relationship with you and hope to provide you with the best service and solution. Let us make a better world for our industry!



Contact us

Tel: +86-755-8981 8866 Fax: +86-755-8427 6832

Email & Skype: info@chipsmall.com Web: www.chipsmall.com

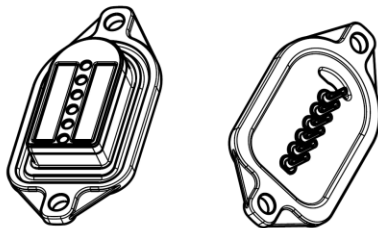
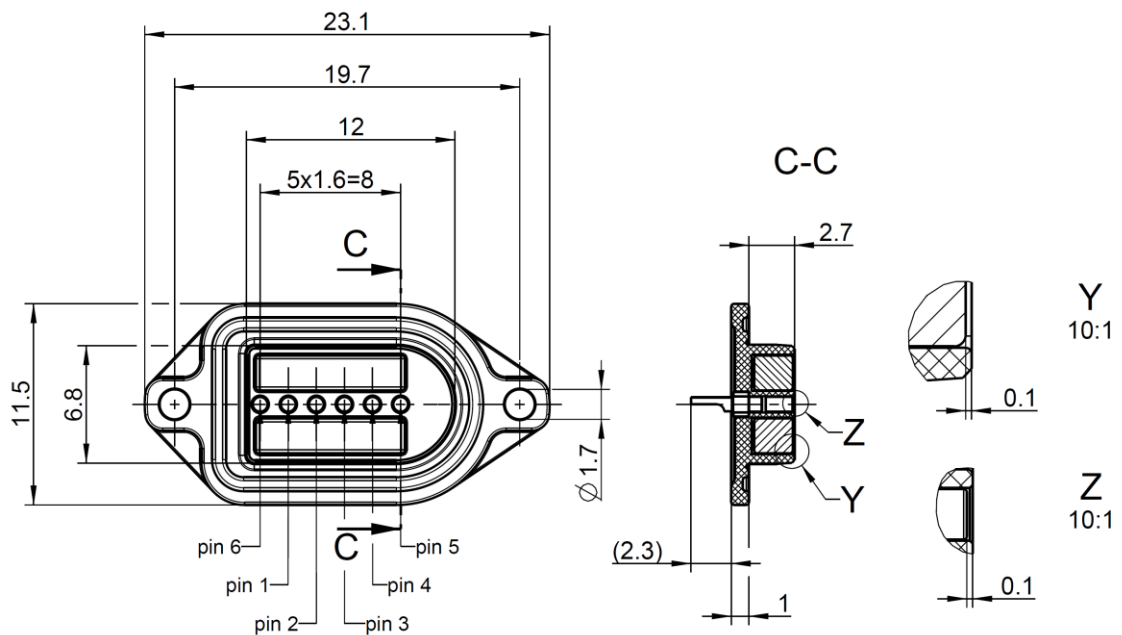
Address: A1208, Overseas Decoration Building, #122 Zhenhua RD., Futian, Shenzhen, China



M9

MultiMag 6 Receptacle
(Solder Cup Termination)

M9K702-299L



recommended pin design	
interface	description
pin 6	---
pin 1	+5V
pin 2	Data-
pin 3	Data+
pin 4	GND
pin 5	---

All dimensions are in mm; tolerances according to ISO 2768 m-H

General Information

Magnetic connector
Number and type of contacts
Soldering
Color

6 rigid pins
Solder cup for pre-tinned wire with cross section AWG 26
White, similar RAL 9010

Interface

Mating with

MultiMag 6 cable assembly

Material and Plating

Connector Parts

Contacts
Housing
Magnets

Material

Brass
PBT GF30
NdFeB

Plating/Color

Gold plated
Black, similar RAL 9005
Nickel plated

M9

MultiMag 6 Receptacle
(Solder Cup Termination)

M9K702-299L

Electrical Data

Designed for USB 2.0 specification 5 V DC, 0.5 A
 Maximum voltage 24 V DC
 Maximum current 1 A

Mechanical Data

Magnetic disengagement force average ~ 8 N
 Mating cycles without load min. 5.000
 Expected Mating cycles with load:

Max. Voltage	Max. Current	Mating cycles
5.0 V DC	0.5 A	min. 5.000
12.6 V DC	1.0 A	min. 2.000
24.0 V DC	0.5 A	min. 800

Environmental Data

Temperature range -20 °C to +65 °C
 Magnets start losing their magnetic properties above 65 °C

Suitable Cables

Pre-tinned wire with cross section AWG 26

Compliance

RoHS compliant

Packing

Standard 100 pcs in blister
 Weight ~ 1 g/pc

Caution!

Magnets can impact the function of pace makers and implantable cardioverter-defibrillators (e.g. actuation of reed switch). Keep a minimum distance of 0.2 m (20 cm) between the magnetic connector and the implanted devices to prevent malfunction and danger to health.

While the information has been carefully compiled to the best of our knowledge, nothing is intended as representation or warranty on our part and no statement herein shall be construed as recommendation to infringe existing patents. In the effort to improve our products, we reserve the right to make changes judged to be necessary.

Draft	Date	Approved	Date	Rev.	Engineering change number	Name	Date
C. Kainzmaier	27.04.15	T. Scheuerlein	25.07.17	b02	17-0004	T. Scheuerlein	25.07.17