



Chipsmall Limited consists of a professional team with an average of over 10 year of expertise in the distribution of electronic components. Based in Hongkong, we have already established firm and mutual-benefit business relationships with customers from,Europe,America and south Asia,supplying obsolete and hard-to-find components to meet their specific needs.

With the principle of “Quality Parts,Customers Priority,Honest Operation,and Considerate Service”,our business mainly focus on the distribution of electronic components. Line cards we deal with include Microchip,ALPS,ROHM,Xilinx,Pulse,ON,Everlight and Freescale. Main products comprise IC,Modules,Potentiometer,IC Socket,Relay,Connector.Our parts cover such applications as commercial,industrial, and automotives areas.

We are looking forward to setting up business relationship with you and hope to provide you with the best service and solution. Let us make a better world for our industry!



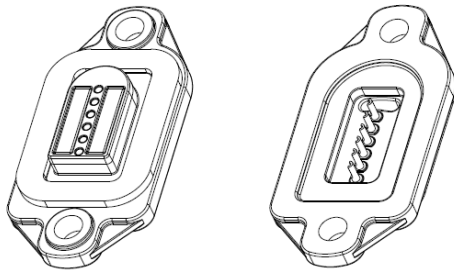
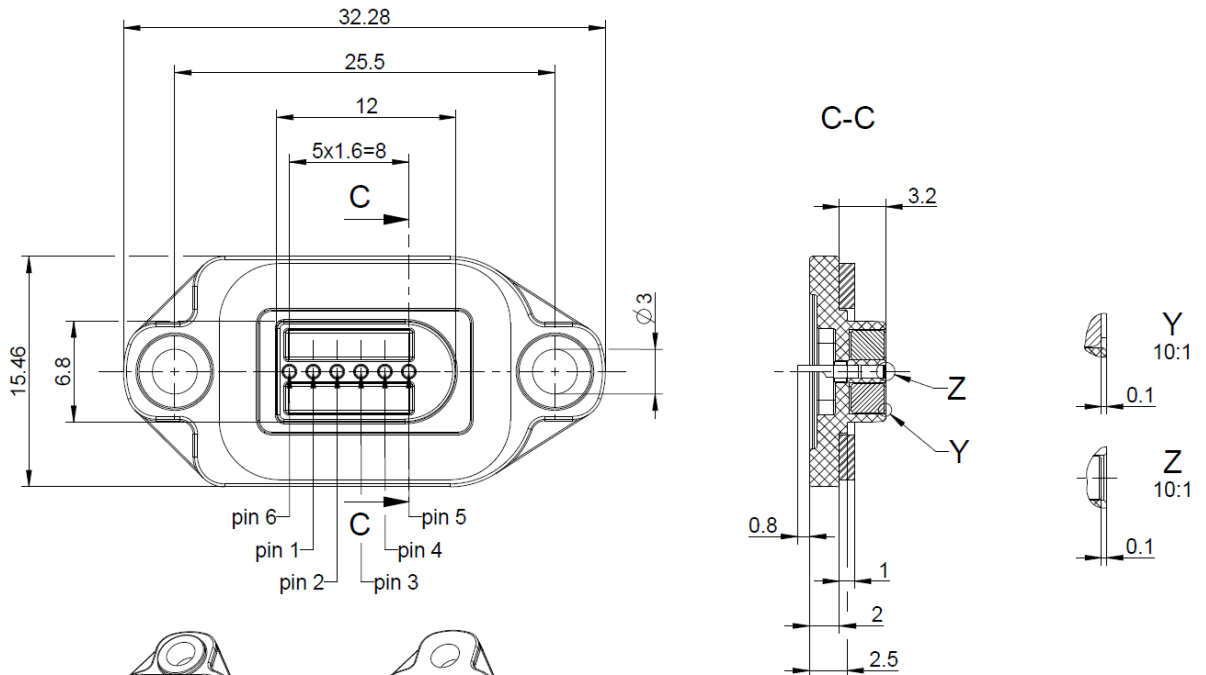
## Contact us

Tel: +86-755-8981 8866 Fax: +86-755-8427 6832

Email & Skype: info@chipsmall.com Web: www.chipsmall.com

Address: A1208, Overseas Decoration Building, #122 Zhenhua RD., Futian, Shenzhen, China





recommended pin design	
interface	description
pin 6	---
pin 1	+5V
pin 2	Data-
pin 3	Data+
pin 4	GND
pin 5	---

All dimensions are in mm; tolerances according to ISO 2768 m-H

**General Information**

Magnetic connector  
Reinforced version with gasket  
Number and type of contacts  
Soldering  
Color

6 rigid pins  
Solder cup for pre-tinned wire  
Black, similar RAL 9005

**Interface**

Mating with MultiMag 6 cable assembly

Dieses Dokument ist urheberrechtlich geschützt • This document is protected by copyright • Rosenberger Hochfrequenztechnik GmbH & Co. KG

RF\_35/05.10/6.0

MultiMag 6

Receptacle, Reinforced  
(Solder Cup Termination)

**M9K703-299L**

**Material and Plating**

**Connector Parts**

Contacts  
Housing  
Magnets  
Gasket

**Material**

Brass  
PBT GF30  
NdFeB  
FVMQ

**Plating/Color**

Gold plated  
Black, similar RAL 9005  
Nickel plated  
Black

**Electrical Data**

Designed for USB 2.0 specification      5 V DC, 0.5 A  
Maximum voltage      24 V DC  
Maximum current      1 A

**Mechanical Data**

Magnetic disengagement force      average ~ 8 N  
Mating cycles without load      min. 5.000  
Expected Mating cycles with load:

Max. Voltage	Max. Current	Mating cycles
5.0 V DC	0.5 A	min. 5.000
12.6 V DC	1.0 A	min. 2.000
24.0 V DC	0.5 A	min. 800

**Environmental Data**

Temperature range      -20 °C to +65 °C  
Degree of protection      Magnets start losing their magnetic properties above 65 °C  
DIN EN 60529, IPX6/IPX7 \*

\*not considering the flange holes. Depending on the application, it may be necessary to seal the flange holes separately.

**Suitable cables**

Solder cup for pre-tinned wire with cross section AWG 26

**Compliance**

RoHS      compliant

**Packing**

Standard      50 pcs in blister  
Weight      ~ 2.0 g/pc

Dieses Dokument ist urheberrechtlich geschützt • This document is protected by copyright • Rosenberger Hochfrequenztechnik GmbH & Co. KG  
RF\_35/05.10/6.0

**Technical Data Sheet****Rosenberger**

MultiMag 6

Receptacle, Reinforced  
(Solder Cup Termination)**M9K703-299L****Caution!**

**Magnets can impact the function of pace makers and implantable cardioverter-defibrillators (e.g. actuation of reed switch). Keep a minimum distance of 0.2 m (20 cm) between the magnetic connector and the implanted devices to prevent malfunction and danger to health.**

While the information has been carefully compiled to the best of our knowledge, nothing is intended as representation or warranty on our part and no statement herein shall be construed as recommendation to infringe existing patents. In the effort to improve our products, we reserve the right to make changes judged to be necessary.

Draft	Date	Approved	Date	Rev.	Engineering change number	Name	Date
T. Scheuerlein	22.12.15	T. Scheuerlein	09.01.18	a00	18-s023	S. Kirchhofer	09.01.18

Rosenberger Hochfrequenztechnik GmbH & Co. KG  
P.O.Box 1260 D-84526 Tittmoning Germany  
[www.rosenberger.de](http://www.rosenberger.de)

Tel. : +49 8684 18-0  
Fax : +49 8684 18-499  
Email : [info@rosenberger.de](mailto:info@rosenberger.de)

Page

3 / 3