



Chipsmall Limited consists of a professional team with an average of over 10 year of expertise in the distribution of electronic components. Based in Hongkong, we have already established firm and mutual-benefit business relationships with customers from,Europe,America and south Asia,supplying obsolete and hard-to-find components to meet their specific needs.

With the principle of “Quality Parts,Customers Priority,Honest Operation,and Considerate Service”,our business mainly focus on the distribution of electronic components. Line cards we deal with include Microchip,ALPS,ROHM,Xilinx,Pulse,ON,Everlight and Freescale. Main products comprise IC,Modules,Potentiometer,IC Socket,Relay,Connector.Our parts cover such applications as commercial,industrial, and automotives areas.

We are looking forward to setting up business relationship with you and hope to provide you with the best service and solution. Let us make a better world for our industry!



Contact us

Tel: +86-755-8981 8866 Fax: +86-755-8427 6832

Email & Skype: info@chipsmall.com Web: www.chipsmall.com

Address: A1208, Overseas Decoration Building, #122 Zhenhua RD., Futian, Shenzhen, China



SPECIFICATION

- Part No. : **MA.203.A.AB.045**
- Product Name : GPS/GALILEO/Penta-band/ Cellular Adhesive Antenna
- Feature : High gain LNA up to 32dB
(GSM/CDMA/PCS/DCS/UMTS/GPRS/EDGE/HSPA)
Height 10.8mm Diameter 55.1mm
IP65 Waterproof
Fakra Connector
ROHS Compliant



1. Introduction

This is a combination high performance GPS/GALILEO and Penta-band Cellular (GSM/CDMA/PCS/DCS/ / UMTS / GPRS / EDGE/ HSPA) antenna to simplify AVL or Fleet management antenna systems worldwide. Its high quality low profile covert housing can be attached onto the glass or even out of sight under the dashboard. This combination of a high gain GPS/GALILEO antenna and a leading edge Penta band cellular antenna is ideal for those applications that require durability, small size and covert installation, and reliable reception and transmission crossing through different mobile networks.

1.1. Features

GPS/GALILEO

- High LNA Gain up to 32 dB
- Antenna Gain 30 ± 2 dB
- Miniaturized to 55.15x12mm
- Low Noise 1.5 dB max

Cellular

Advanced Penta-band cellular antenna
(GSM/CDMA/PCS/DCS/UMTS/GPRS/EDGE/ HSPA)

Other

- Water Resistant IP 65(IP 67 MA.203 version also available)
- Quality textured covert design. Low profile
- UV resistant ABS housing
- Comes with high grade 3M double sided tape for quick and easy mounting
- Fakra code C (blue) on GPS/GALILEO and code D(violet) on GSM . Optional cables and connectors

2. Specification

2.1. GPS/GALILEO Antenna

GPS/GALILEO	
Centre Frequency	1575.42MHz
Bandwidth	10MHz
Average Gain	28dBic typ. (@DC 3V)
Radiation Efficiency	50%
Gain @ Zenith	4.0dBic typ.
Axial Ratio	3.0dB max.
Polarization	Right Hand Circular
VSWR	≤2.0
Impedance	50Ω
DC Power Input Range	3 ~ 5 V
DC input	3V
LNA Gain(Typ.)	28dB
Noise Figure(Typ.)	1.5dB
Power Consumption	7~9mA
Band Attenuation	±50MHz
	40dB
Cable	1M RG174 standard, fully customizable
Connector	SMA(M) standard, standard, fully customizable

2.2. Cellular Antenna

CELLULAR					
Frequency (MHz)	824~894	880~960	1710~1880	1850~1990	2110~2170
Peak gain (dBi)	>2.5	>0.0	>1.5	>2.5	>0.5
Efficiency	>60%	>45%	>40%	>45%	>50%
Impedance	50Ω				
Polarization	Linear				
VSWR	3 max.				
Cable	1M RG-174 standard, fully customizable				
Connector	SMA(M) standard, fully customizable				

3. Test Setup

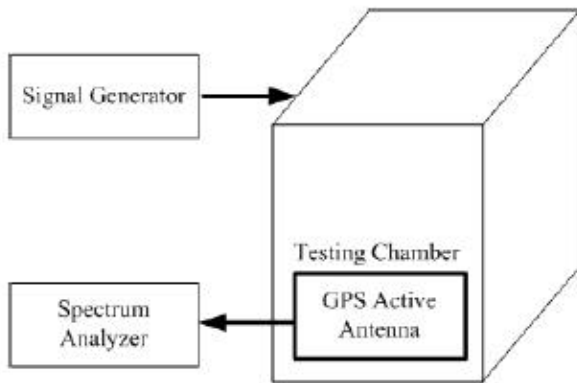
3.1. Configuration of SATIMO



Agilent E5071B Network Analyzer



Anritsu 68147C Signal Generator



Testing Chamber

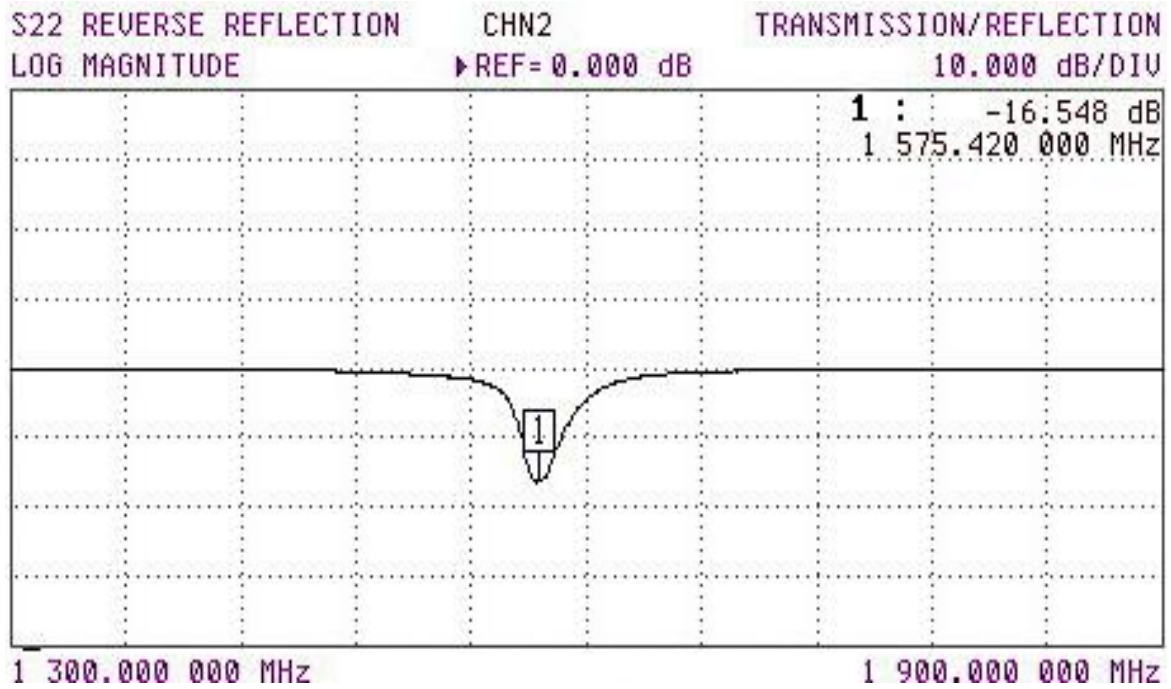


Anritsu MS2721A Spectrum

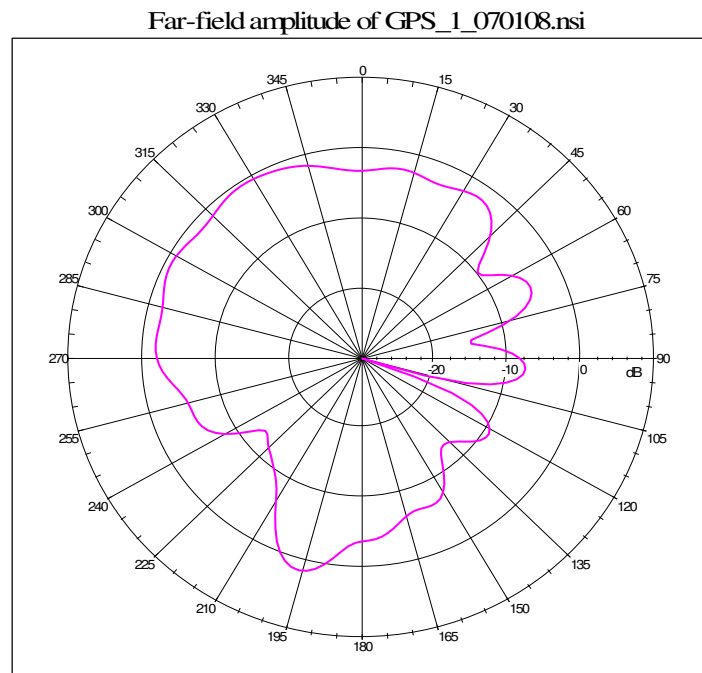
Cable attenuation(dB/100mm)												
GHz	0.5	1	1.5	2	2.5	3	3.5	4	4.5	5	5.5	6
RG-174	67	100	127	153	138	183	207	229	252	272	291	311
CFD-200	26	39	49	58	66	73		86		98		109

4. GPS/GALILEO Antenna Characteristics

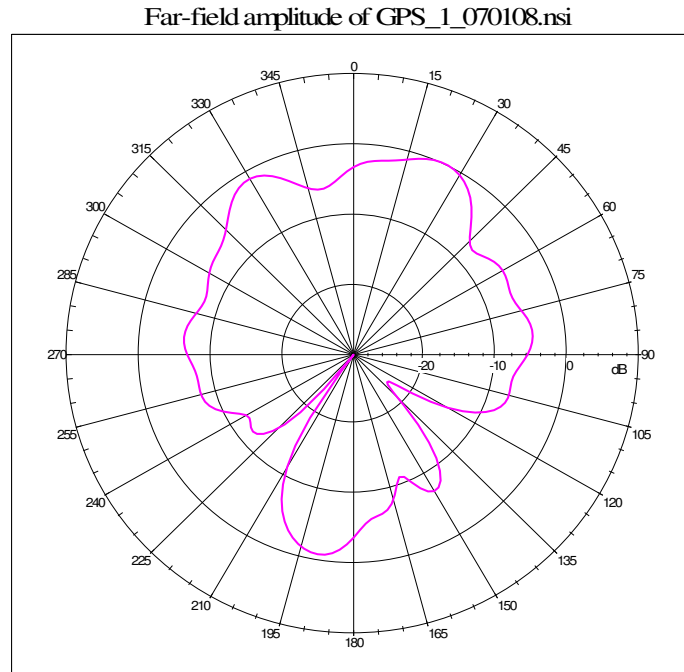
4.1. Patch antenna S11



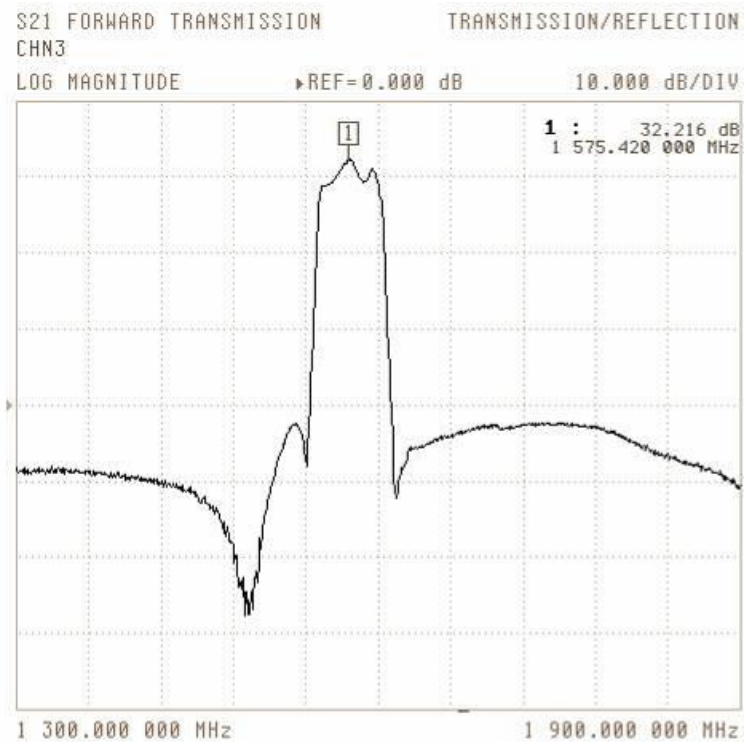
4.2. GPS/GALILEO Antenna Pattern(XZ Plane)



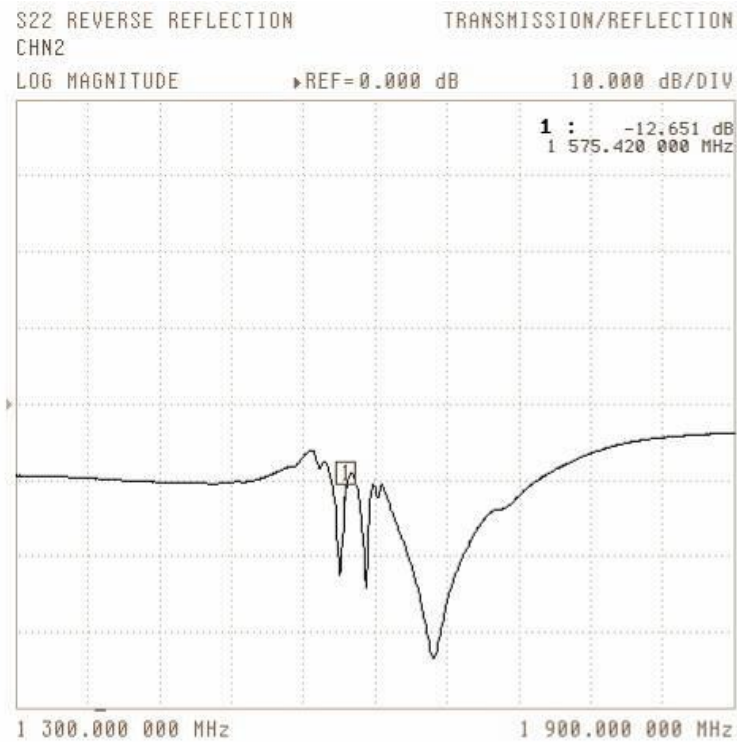
4.3. GPS/GALILEO Antenna Pattern (YZ Plane)



4.4. GPS/GALILEO Antenna Gain (with LNA)



4.5. GPS/GALILEO antenna return loss (With LNA)



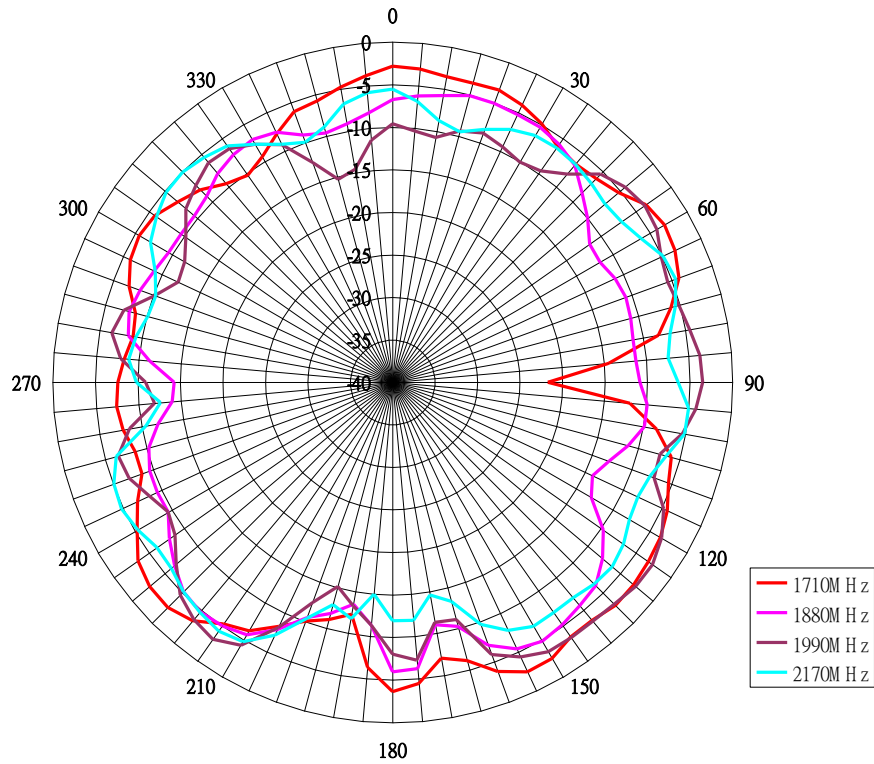
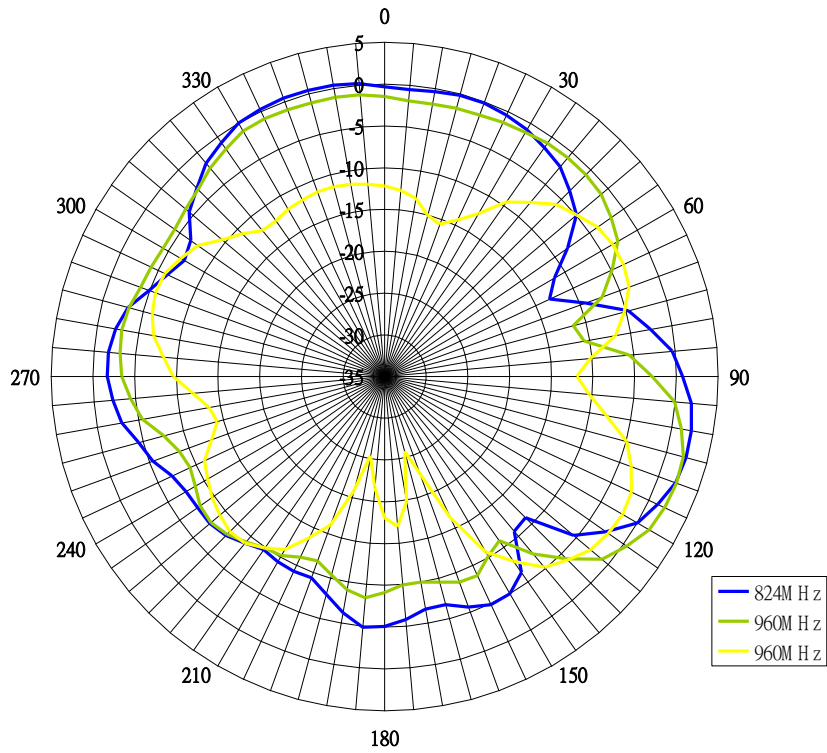
5. Cellular antenna

5.1. Return loss (with 1M RG-174 cable)

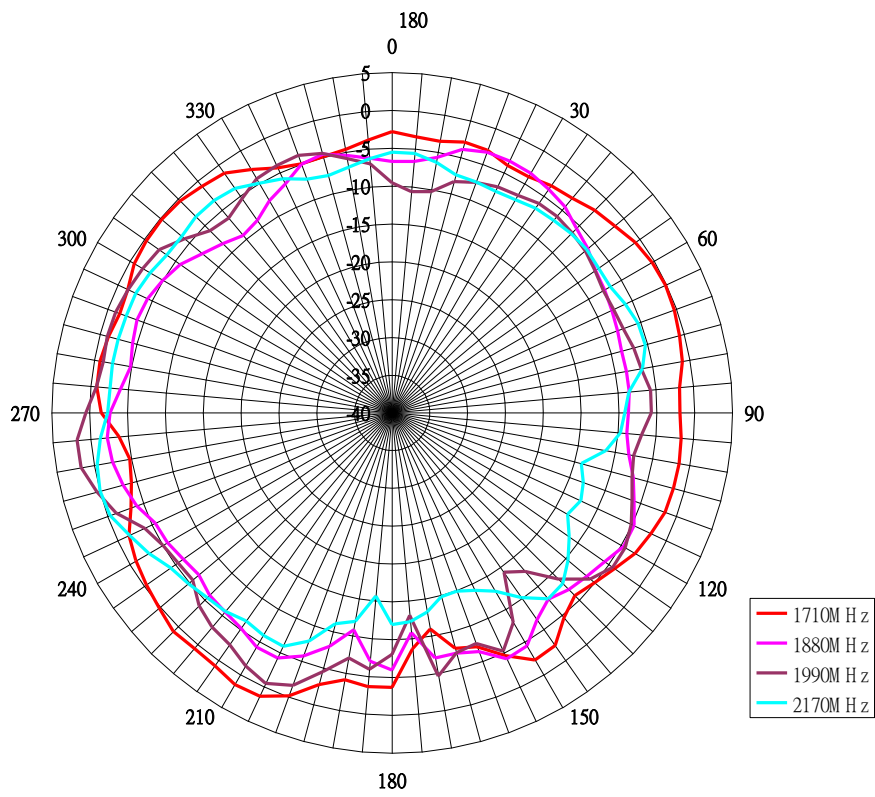
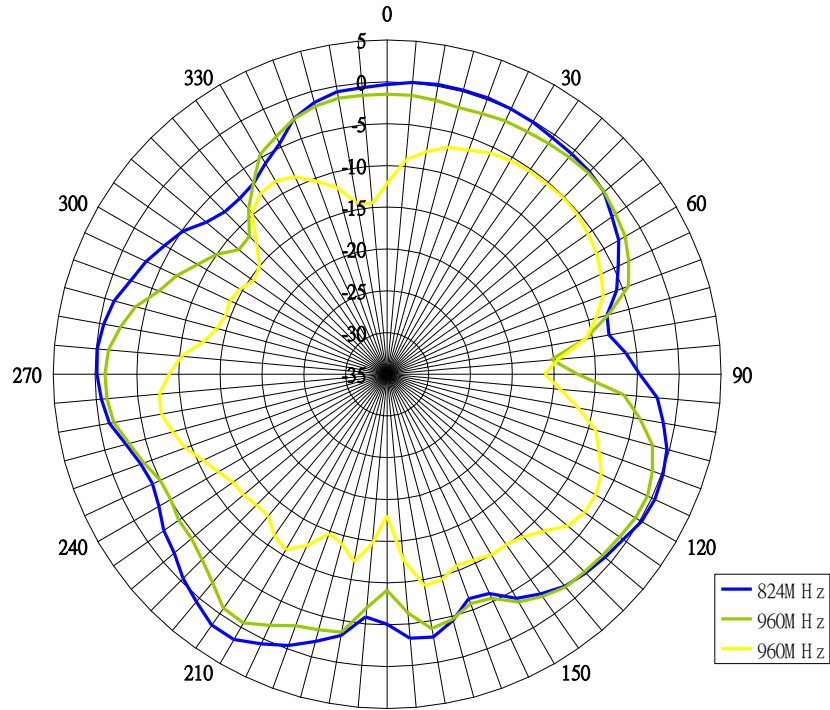


6. Radiation Pattern

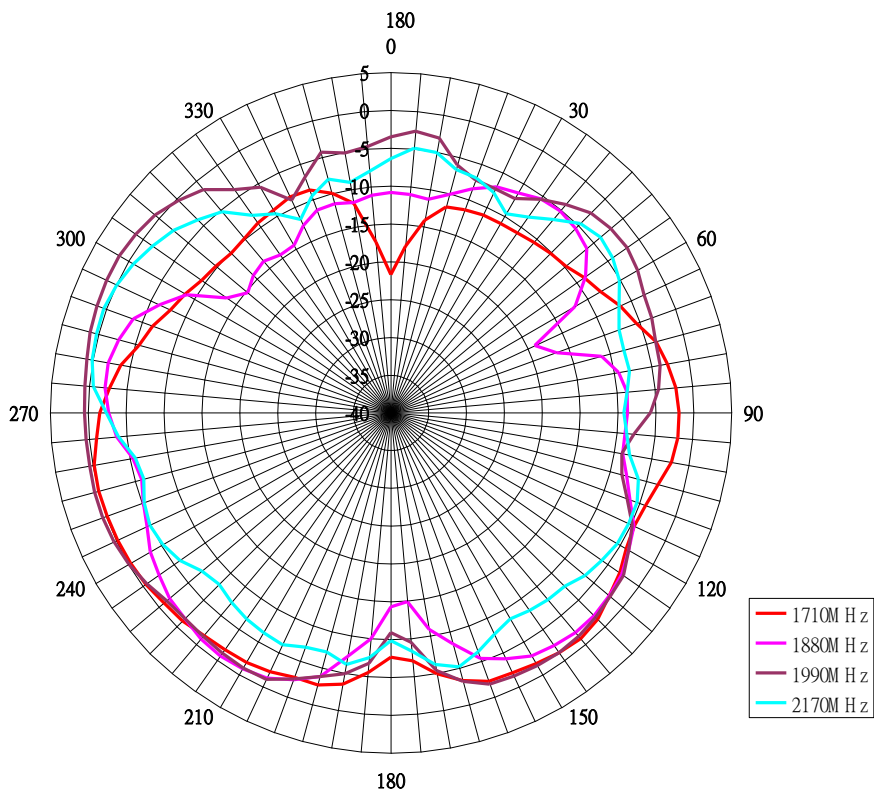
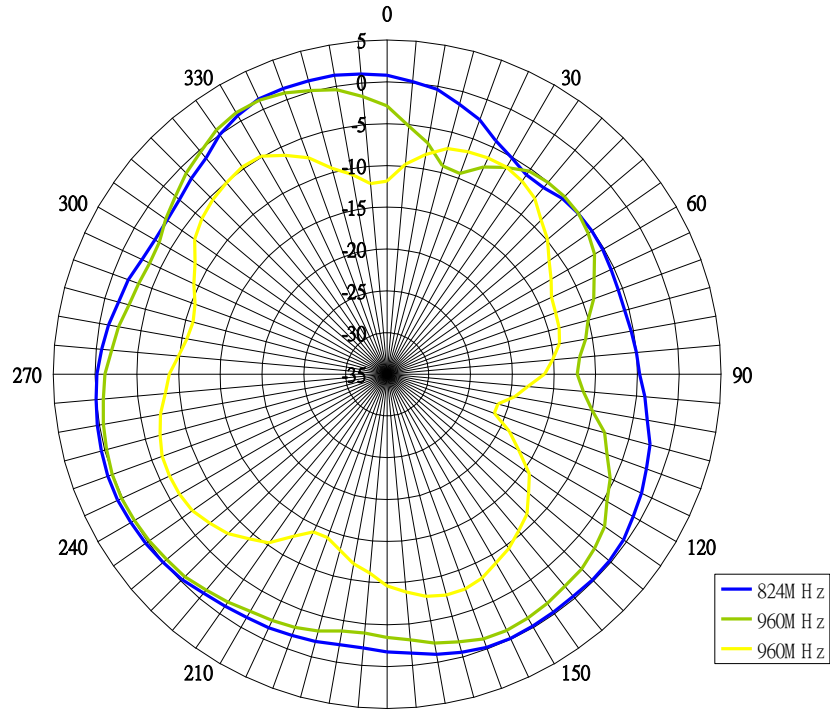
6.1.1. XZ Plane



6.1.2. YZ Plane

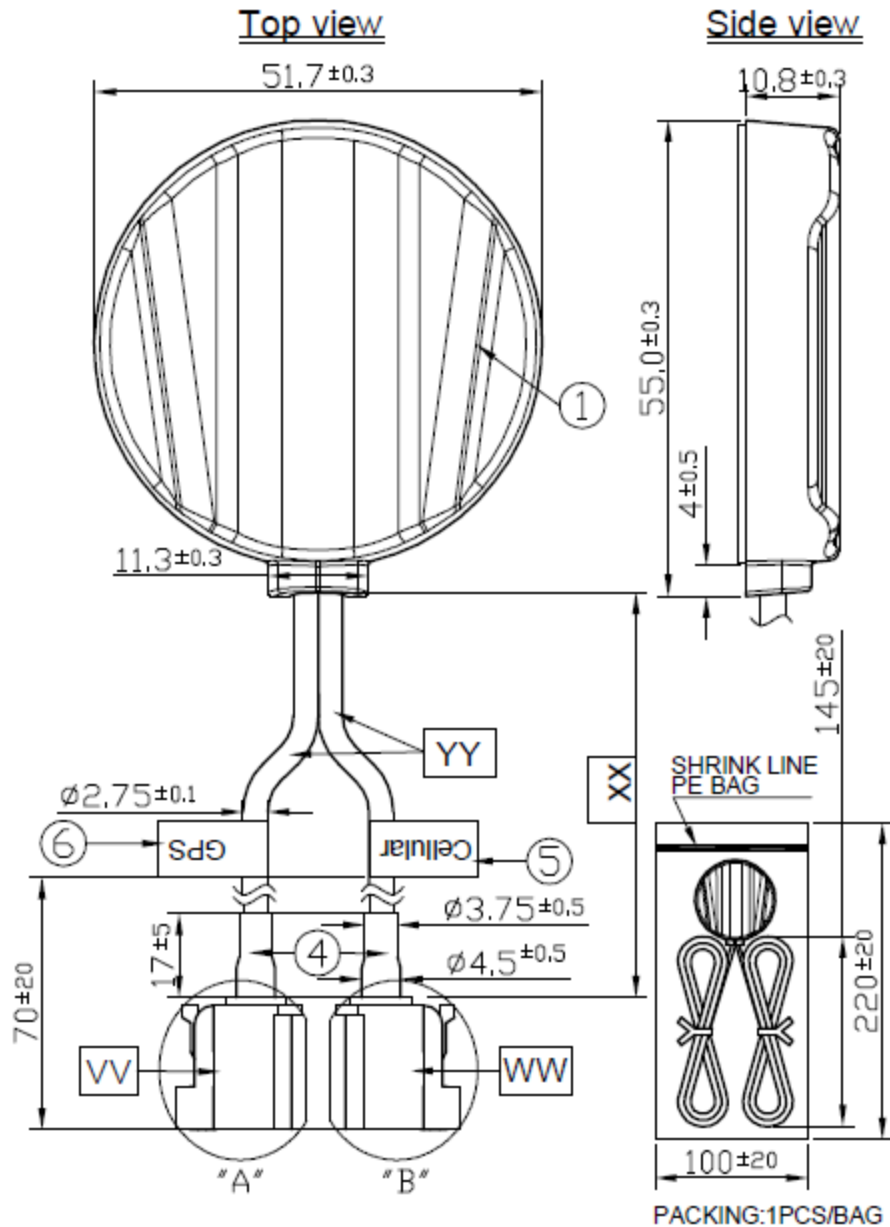


6.1.3. XY Plane

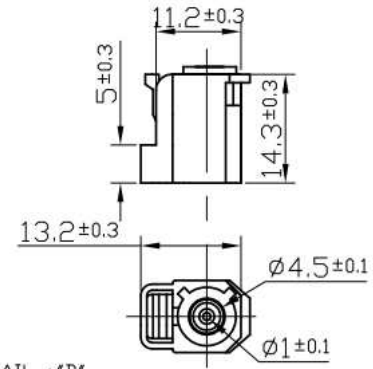
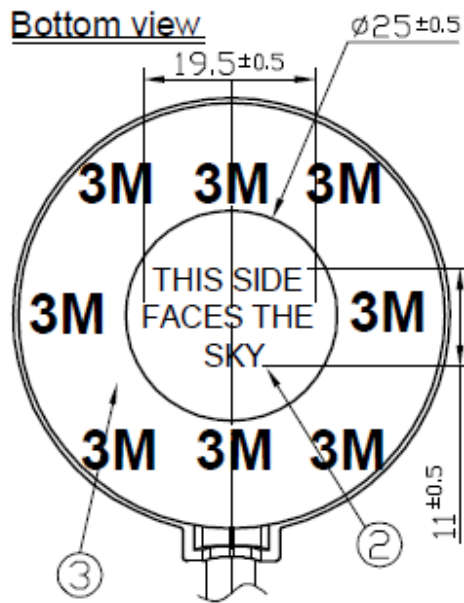


7. Mechanical Drawings

7.1. Unit

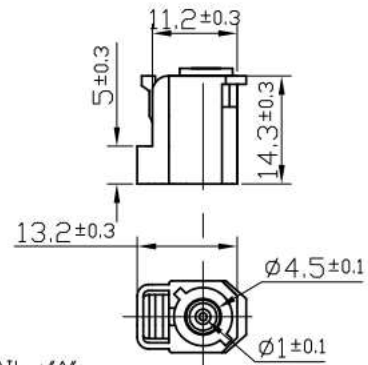


FAKRA Code D Violet



DETAIL : "B"
SCALE: 1/1

FAKRA Code C Blue

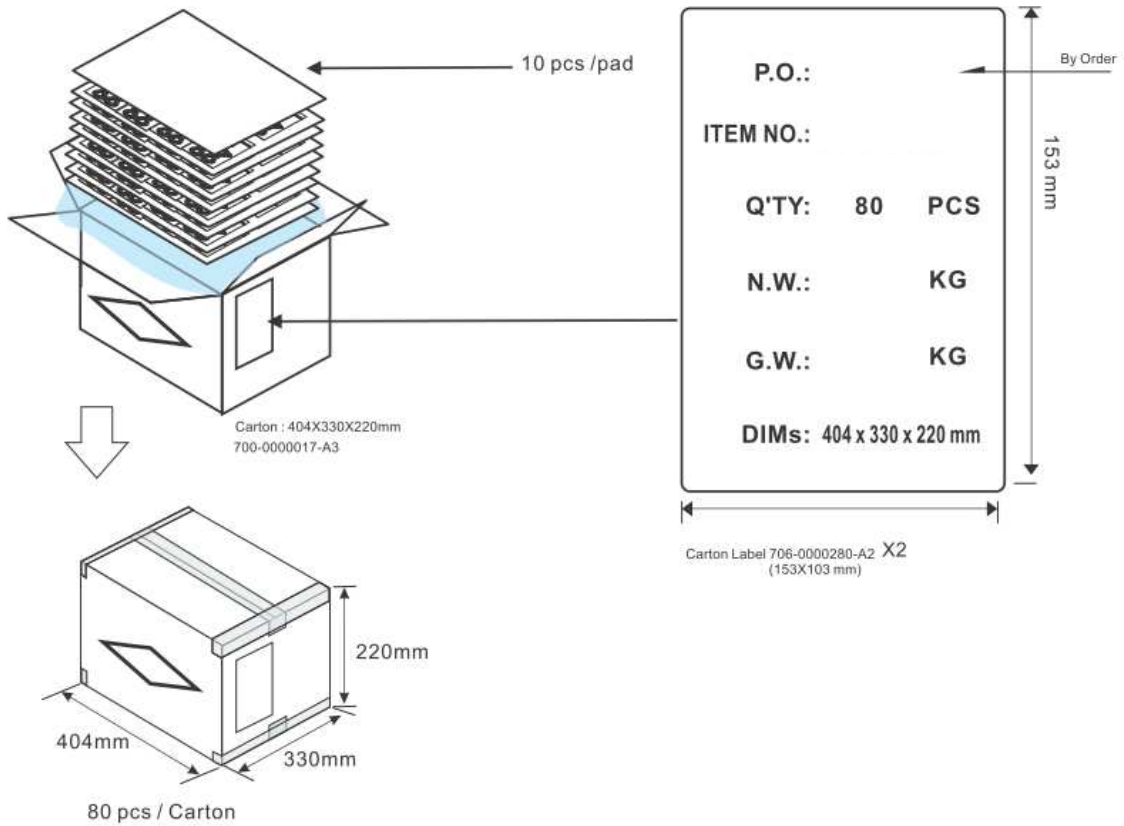


DETAIL : "A"
SCALE: 1/1

	Name	Material	Finish	QTY
1	Housing	ABS	Black	1
2	Round Label	Art Paper	White	1
3	Scotch Brand Acrylic Foam Tape	3M 4812	White Liner	1
4	Heat Shrink tube	PE	Black	2
5	Cellular Label	Coated Paper	Blue	1
6	GPS Label	Coated Paper	Orange	1

	Name	Spec	Finish	QTY
VV	Connector Type	FAKRA Code C GEN2	Blue	1
WW	Connector Type	FAKRA Code D GEN2	Violet	1
XX	Cable Length	3000mm ±30mm	Black	1
YY	Cable Type	RG174	Black	2

7.2. Carton



Taoglas makes no warranties based on the accuracy or completeness of the contents of this document and reserves the right to make changes to specifications and product descriptions at any time without notice. Taoglas reserves all rights to this document and the information contained herein.

Reproduction, use or disclosure to third parties without express permission is strictly prohibited.

Copyright © Taoglas Ltd.