



Chipsmall Limited consists of a professional team with an average of over 10 year of expertise in the distribution of electronic components. Based in Hongkong, we have already established firm and mutual-benefit business relationships with customers from,Europe,America and south Asia,supplying obsolete and hard-to-find components to meet their specific needs.

With the principle of “Quality Parts,Customers Priority,Honest Operation,and Considerate Service”,our business mainly focus on the distribution of electronic components. Line cards we deal with include Microchip,ALPS,ROHM,Xilinx,Pulse,ON,Everlight and Freescale. Main products comprise IC,Modules,Potentiometer,IC Socket,Relay,Connector.Our parts cover such applications as commercial,industrial, and automotives areas.

We are looking forward to setting up business relationship with you and hope to provide you with the best service and solution. Let us make a better world for our industry!



## Contact us

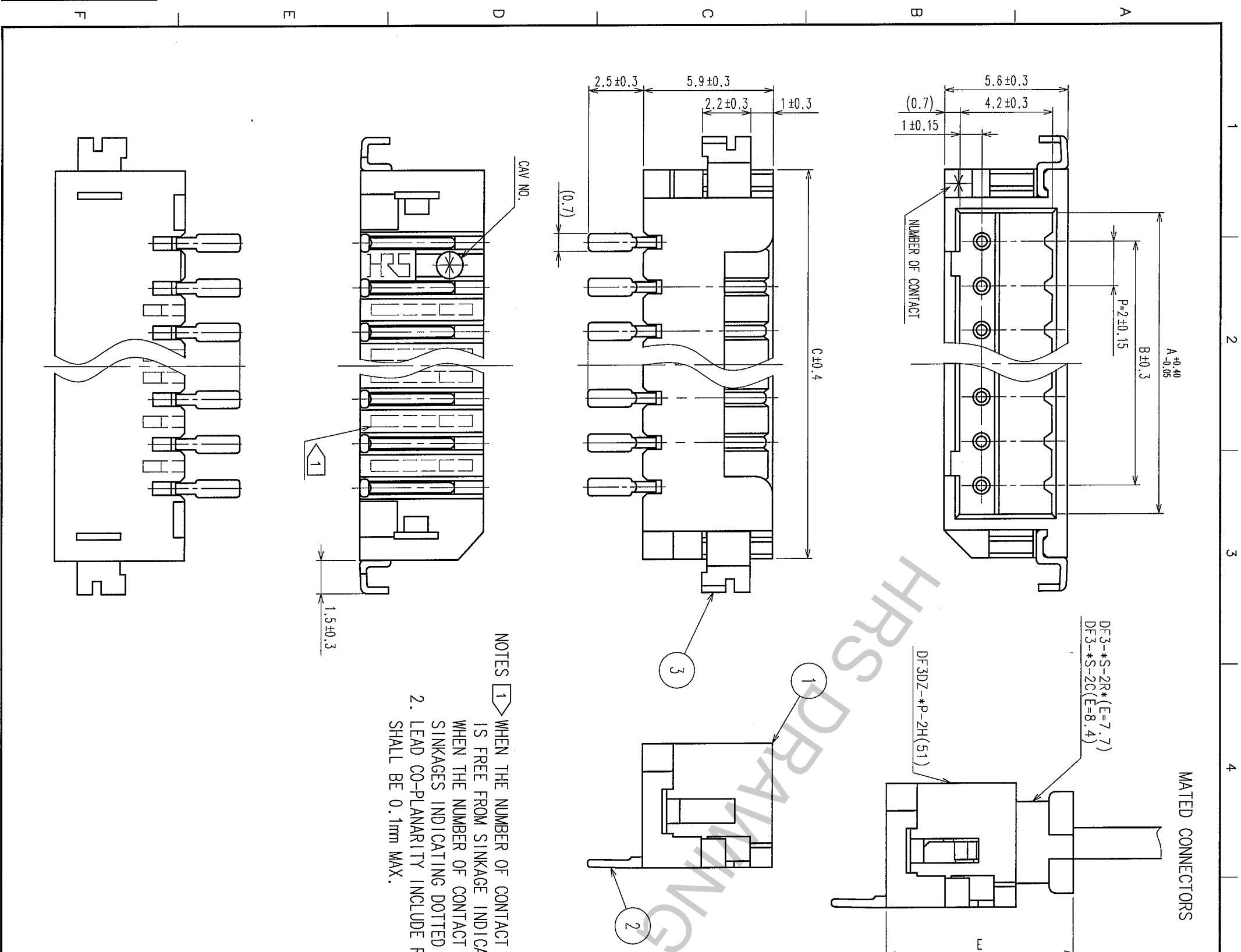
Tel: +86-755-8981 8866 Fax: +86-755-8427 6832

Email & Skype: info@chipsmall.com Web: www.chipsmall.com

Address: A1208, Overseas Decoration Building, #122 Zhenhua RD., Futian, Shenzhen, China



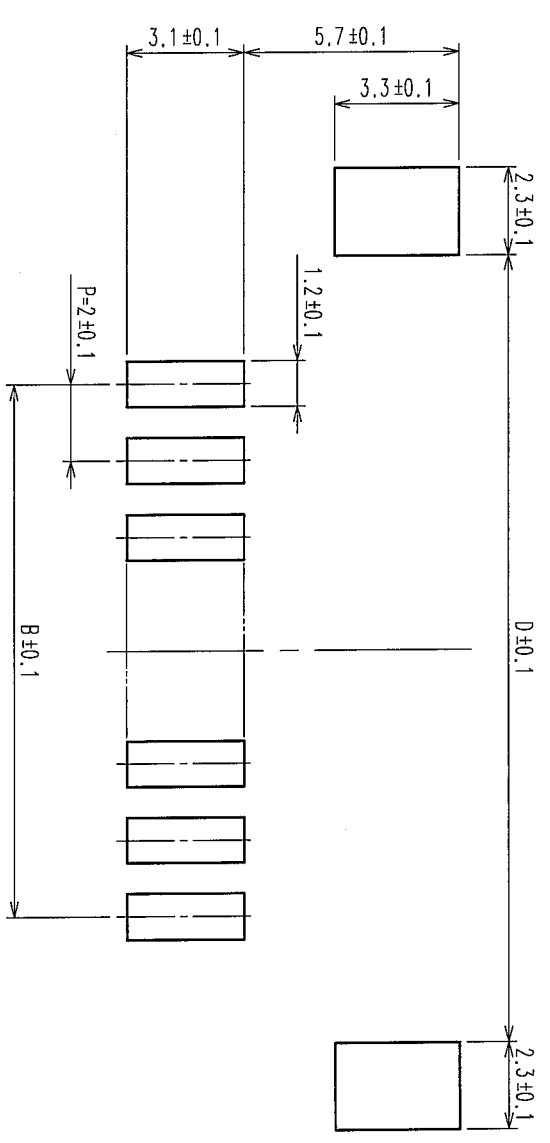
TO



MATED CONNECTORS

COUNT	DESCRIPTION OF REVISIONS	BY	CHKD	DATE	COUNT	DESCRIPTION OF REVISIONS	BY	CHKD	DATE
2	RE-H-06617	LD	T.M.	'04.11.27					
5	DIS-H-002463	T.O	H.U.	'07.10.01					

RECOMMENDED PATTERN



NOTES

1 WHEN THE NUMBER OF CONTACT IS 2 TO 10, THIS PART IS FREE FROM SINKAGE INDICATING DOTTED LINES. WHEN THE NUMBER OF CONTACT IS 11 TO 15, THERE ARE SINKAGES INDICATING DOTTED LINES.

2. LEAD CO-PLANARITY INCLUDE REINFORCED METAL FITTINGS SHALL BE 0.1mm MAX.

PART NO.	CODE NO.	A	B	C	D
DF3DZ-2P-2H(51)	CL543-1070-0-51	4.6	2.0	8.5	8.74
DF3DZ-3P-2H(51)	CL543-1071-3-51	6.6	4.0	10.5	10.74
DF3DZ-4P-2H(51)	CL543-1072-6-51	8.6	6.0	12.5	12.74
DF3DZ-5P-2H(51)	CL543-1073-9-51	10.6	8.0	14.5	14.74
DF3DZ-6P-2H(51)	CL543-1074-1-51	12.6	10.0	16.5	16.74
DF3DZ-7P-2H(51)	CL543-1075-4-51	14.6	12.0	18.5	18.74
DF3DZ-8P-2H(51)	CL543-1076-7-51	16.6	14.0	20.5	20.74
DF3DZ-9P-2H(51)	CL543-1078-2-51	18.6	16.0	22.5	22.74
DF3DZ-10P-2H(51)	CL543-1079-5-51	20.6	18.0	24.5	24.74
DF3DZ-11P-2H(51)	CL543-1080-4-51	22.6	20.0	26.5	26.74
DF3DZ-12P-2H(51)	CL543-1080-4-51	24.6	22.0	28.5	28.74
DF3DZ-13P-2H(51)	CL543-1080-4-51	26.6	24.0	30.5	30.74
DF3DZ-14P-2H(51)	CL543-1083-2-51	28.6	26.0	32.5	32.74
DF3DZ-15P-2H(51)	CL543-1083-2-51	30.6	28.0	34.5	34.74

2	BRASS	SURFACE: GOLD PLATED 0.2µm min UNDER PLATING: NICKEL PLATED 1µm min	5	POLYESTER	CLEAR (COVER TAPE)
1	POLYAMIDE	BEIGE, UL94V-0	4	J<6	CLEAR (EMBOSSED CARRIER TAPE)
			3	BRASS	SURFACE: TIN PLATED 1µm min UNDER PLATING: NICKEL PLATED 1µm min

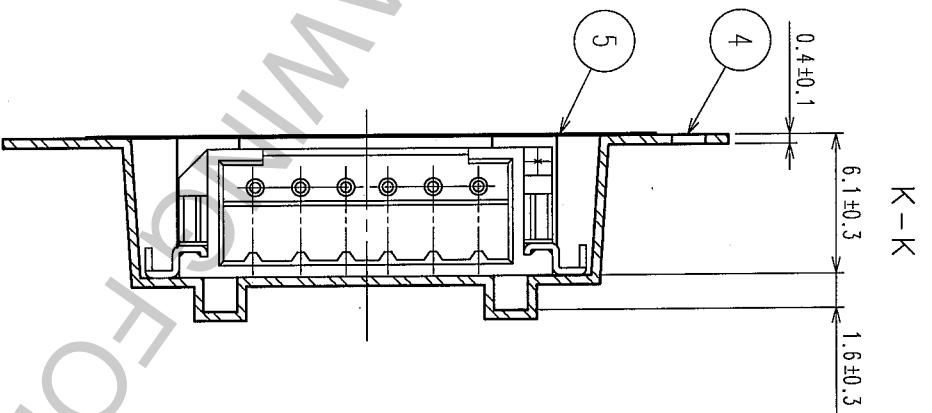
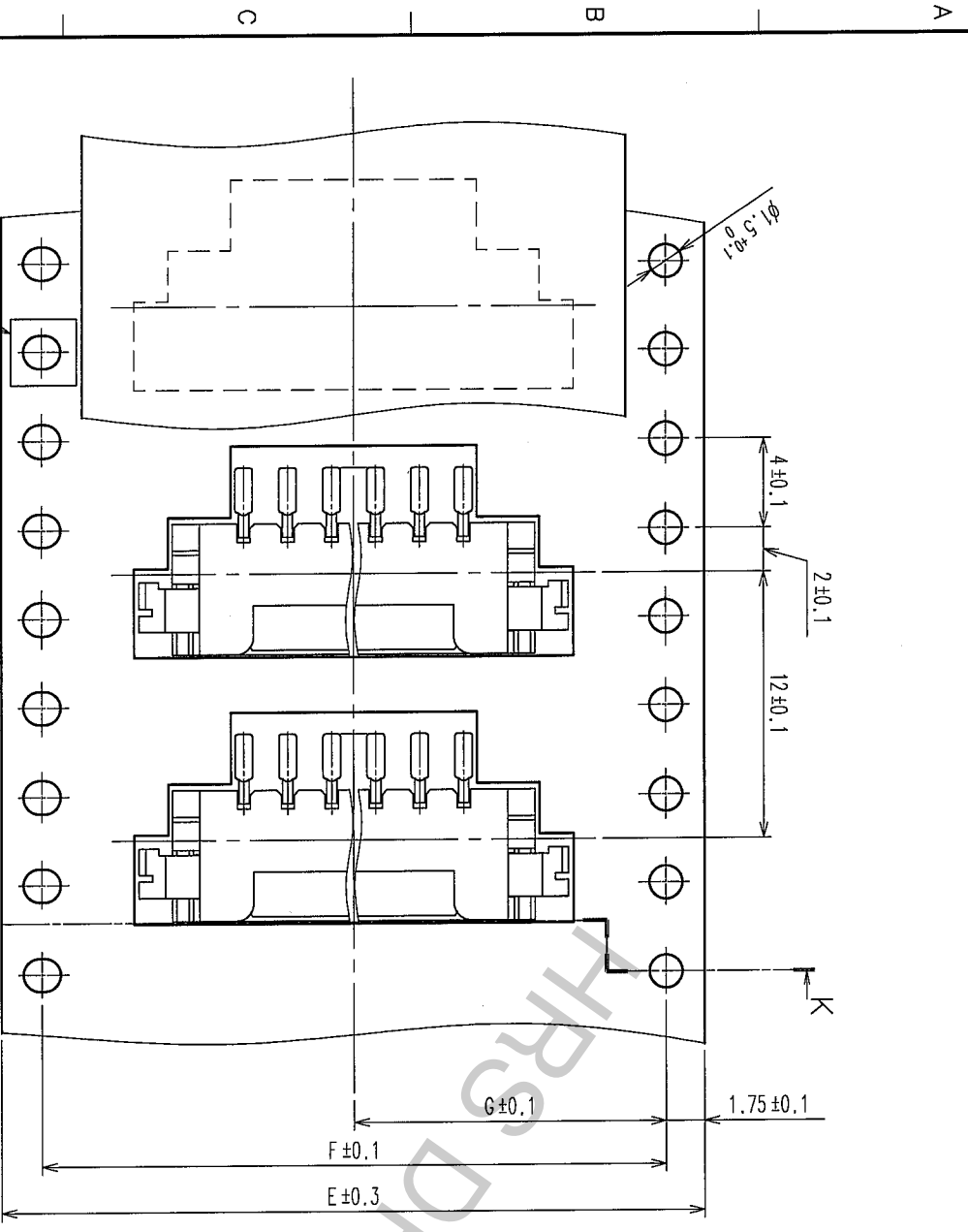
  

CODE NO. (OLD)	CL	DRAWN	DESIGNED	CHECKED	APPROVED	RELEASED
		M. Nakamoto	H. Umehara	T. Miyozaki	T. Ono	
		'04.03.30	'04.03.30	'04.03.30	'04.03.31	

DRAWING NO.	EDC3-305941-13	PART NO.	DF3DZ-*P-2H(51)
SCALE	5 : 1	CODE NO.	CL543-
UNITS	MM		

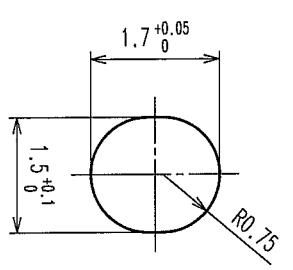
COUNT	DESCRIPTION OF REVISIONS	BY	CHKD	DATE	COUNT	DESCRIPTION OF REVISIONS	BY	CHKD	DATE



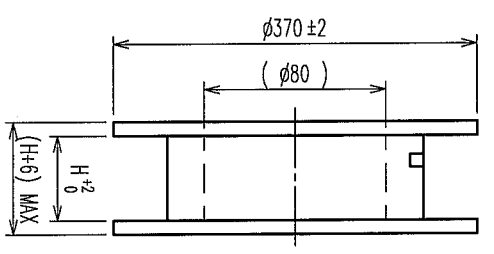
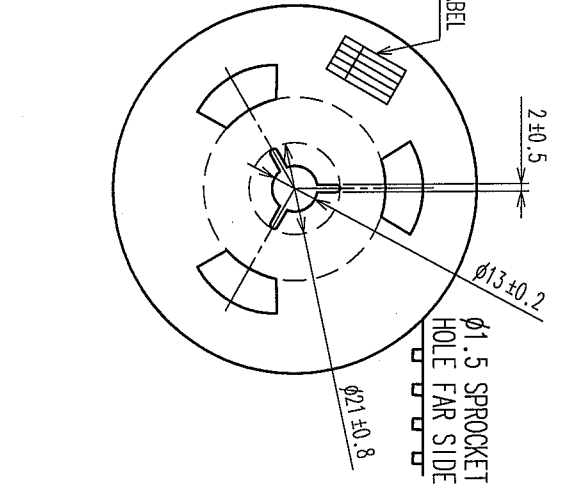
PART NO.	CODE NO.	NUMBER OF CONTACT	E	F	G	H	J
DF3DZ-2P-2H(51)	CL543-1070-0-51	2	24.0		11.5	24.4	PS
DF3DZ-3P-2H(51)	CL543-1071-3-51	3	24.0		11.5	24.4	PS
DF3DZ-4P-2H(51)	CL543-1072-6-51	4	24.0		11.5	24.4	PS
DF3DZ-5P-2H(51)	CL543-1073-9-51	5	32.0		14.2	32.4	PS
DF3DZ-6P-2H(51)	CL543-1074-1-51	6	32.0	28.4	14.2	32.4	PS
DF3DZ-7P-2H(51)	CL543-1075-4-51	7	32.0	28.4	14.2	32.4	PS
DF3DZ-8P-2H(51)	CL543-1076-7-51	8	44.0	40.4	20.2	44.4	PS
DF3DZ-10P-2H(51)	CL543-1078-2-51	10	44.0	40.4	20.2	44.4	PS
DF3DZ-11P-2H(51)	CL543-1079-5-51	11	56.0	52.4	26.2	56.4	PS
DF3DZ-12P-2H(51)	CL543-1080-4-51	12	56.0	52.4	26.2	56.4	PS
DF3DZ-15P-2H(51)	CL543-1083-2-51	15	56.0	52.4	26.2	56.4	PS

DIRECTION OF UNREELING

L (10:1)



STYLE AND DEMENSION OF REEL



DETAIL OF PART NO. LABEL

生産月日	年	月	日
図番	CL543-*****-51		
品名	DF3DZ-*P-2H(51)		
納入数量	1000KO		
納入者	ヒロセ電機(株)		

SUPPLIER  
QUANTITY  
PART No.  
CODE No.  
DATE OF MANUFACTURED

- NOTES: 1 REEL 1000 CONNECTORS.
- AT THE BEGINNING OF THE REEL, 30 COMPONENTS SHALL BE EMPTY.
  - AT THE END OF THE REEL, 20 COMPONENTS SHALL BE EMPTY.
  - WHEN THE TAPE WIDTH IS 32 OR 44 OR 56 mm, SPROCKET HOLES SHALL BE SET ON BOTH SIDES OF REEL AS SHOW ON THIS DRAWING.
  - THE MATERIAL OF THE EMBOSSED CARRIER TAPE REFERS TO THE TABLE.
  - THE REEL IS POLYETHYLENE PACKAGED WITH AN DRY AGENT INSIDE FOR MOISTURE-PROOF PACKAGING.
  - FOR THE STORAGE OF 168 HOURS OR MORE AFTER OPENING THE PACKAGE, KEEP THE PRODUCTS UNDER MOISTURE PROOF CONDITIONS.
  - EXCEPT ON THE MATING SURFACE, COMPONENT INFLATION DOES NOT AFFECT THE PRODUCTS PERFORMANCE.

NO.	MATERIAL	FINISH, REMARKS	NO.	MATERIAL	FINISH, REMARKS
CL					

DRAWN	DESIGNED	CHECKED	APPROVED	RELEASED
M. Nakamoto	H. Unehara	T. Miyozaki	T. Oma	
'04.03.30	'04.03.30	'04.03.30	'04.03.31	

DRAWING NO. EDC3-305941-13  
PART NO. DF3DZ-\*P-2H(51)  
CODE NO. CL543-

SCALE: FR:EE  
UNITS: MM

HIROSE ELECTRIC CO., LTD.

FORM NO. 229

TO

1 2 3 4 5 6 7 8