



Chipsmall Limited consists of a professional team with an average of over 10 year of expertise in the distribution of electronic components. Based in Hongkong, we have already established firm and mutual-benefit business relationships with customers from,Europe,America and south Asia,supplying obsolete and hard-to-find components to meet their specific needs.

With the principle of "Quality Parts,Customers Priority,Honest Operation,and Considerate Service",our business mainly focus on the distribution of electronic components. Line cards we deal with include Microchip,ALPS,ROHM,Xilinx,Pulse,ON,Everlight and Freescale. Main products comprise IC,Modules,Potentiometer,IC Socket,Relay,Connector.Our parts cover such applications as commercial,industrial, and automotives areas.

We are looking forward to setting up business relationship with you and hope to provide you with the best service and solution. Let us make a better world for our industry!



Contact us

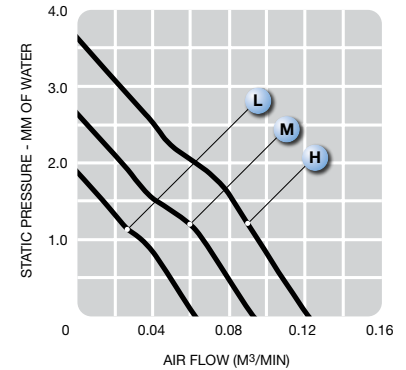
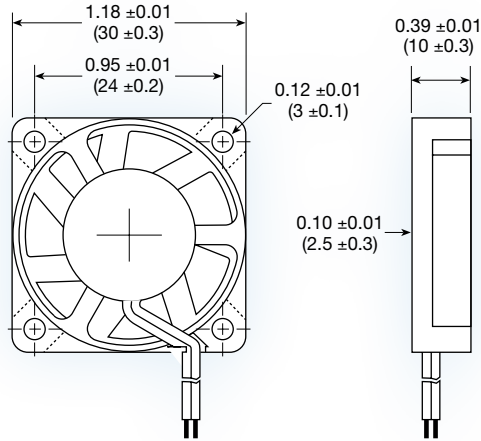
Tel: +86-755-8981 8866 Fax: +86-755-8427 6832

Email & Skype: info@chipsmall.com Web: www.chipsmall.com

Address: A1208, Overseas Decoration Building, #122 Zhenhua RD., Futian, Shenzhen, China



MA3010 series



(30 x 30 x 10 mm)

1.18 x 1.18 x 0.39 inches

Construction: UL94V-0 PBT impeller & frame

Bearing option: ball bearing or sleeve

Connection: AWG 30, UL1007 lead wires

Frame: ribbed

Protection: thermal

Options: tachometer output signal

Airflow: air intake over struts

Model No.	Rated Voltage V	Operating Voltage V	Current mA	Speed RPM	Air Volume		Max. Static Pressure (H ₂ O)		Sound Noise dBa	Weight g
					M ³ /Min.	CFM	MM	INCH		
MA3010L	5	3 - 6.5	60	5,000	0.06	2.15	1.85	0.07	15	8
MA3010M	5	3 - 6.5	70	7,000	0.09	3.17	2.64	0.11	21	8
MA3010H	5	3 - 6.5	140	9,000	0.12	4.22	3.77	0.15	28	8
MA3010L	12	7 - 13.8	40	5,000	0.06	2.15	1.85	0.07	15	8
MA3010M	12	7 - 13.8	70	7,000	0.09	3.17	2.64	0.11	21	8
MA3010H	12	7 - 13.8	100	9,000	0.12	4.22	3.77	0.15	28	8