



Chipsmall Limited consists of a professional team with an average of over 10 year of expertise in the distribution of electronic components. Based in Hongkong, we have already established firm and mutual-benefit business relationships with customers from,Europe,America and south Asia,supplying obsolete and hard-to-find components to meet their specific needs.

With the principle of “Quality Parts,Customers Priority,Honest Operation,and Considerate Service”,our business mainly focus on the distribution of electronic components. Line cards we deal with include Microchip,ALPS,ROHM,Xilinx,Pulse,ON,Everlight and Freescale. Main products comprise IC,Modules,Potentiometer,IC Socket,Relay,Connector.Our parts cover such applications as commercial,industrial, and automotives areas.

We are looking forward to setting up business relationship with you and hope to provide you with the best service and solution. Let us make a better world for our industry!



Contact us

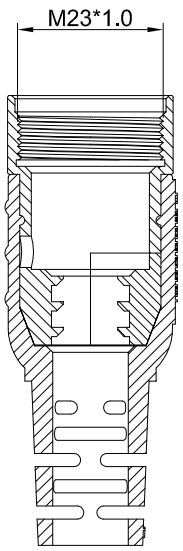
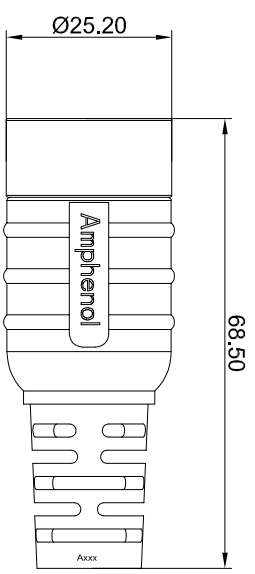
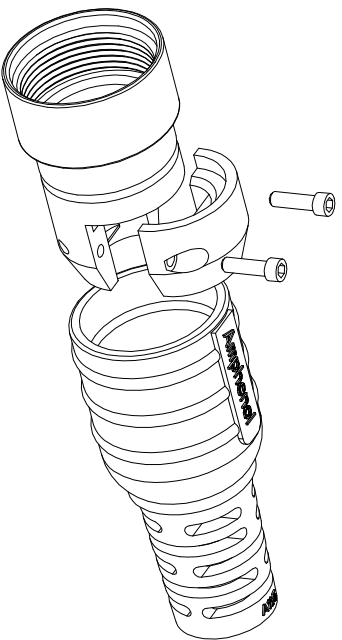
Tel: +86-755-8981 8866 Fax: +86-755-8427 6832

Email & Skype: info@chipsmall.com Web: www.chipsmall.com

Address: A1208, Overseas Decoration Building, #122 Zhenhua RD., Futian, Shenzhen, China



REVISIONS					
REV	ECO	DESCRIPTION	DATE	BY	APPR
B1	-	RELEASE NEW DWG FORMAT	Jun.16.2014	Tod	Tommy
B2	-	UPDATE THE PART NUMBER	Jun.27.2015	Drack	Tommy



- NOTES: UNLESS OTHERWISE SPECIFIED
- MATERIAL:
BODY: ZINC DIE CAST, NICKEL PLATED
BOOT: TPE(BLACK)
 - SPECIFICATIONS:
2.1 DEGREE OF PROTECTION: IP67 (MATED CONDITION)
MUST BE POTTED TO ACHIEVE IP67 RATING
2.2 RoHS COMPLIANT
 - ALL DIMENSIONS ARE FOR REFERENCE USE ONLY.

ITEM	DESCRIPTION	QTY	UNIT
1	MA4FSR-A8.5	7.5-8.5 mm	Cable OD Range
2	MA4FSR-A10.5	9.5-10.5 mm	
3	MA4FSR-A12.8	11.5-12.8 mm	

QUANTITY	SEE PART NUMBER CHART	PART NUMBER	DESCRIPTION	ITEM
MATERIALS LIST				

SIGNATURES	DATE	DESCRIPTION
DRAWN: Drack	Jun.27.2015	<h1>Ampheno!</h1> <p>Sine Systems - www.amphenol-sine.com 44724 Morley Drive Clifton Township, MI 48036</p>
CHECKED:		
ENGINEER:		
APPROVAL:		

UNLESS OTHERWISE SPECIFIED		THIS DRAWING IS SUPPLIED FOR THE CUSTOMER'S USE ONLY. IT IS NOT TO BE REPRODUCED OR TRANSMITTED IN ANY FORM OR BY ANY MEANS, ELECTRONIC OR MECHANICAL, WITHOUT THE WRITTEN PERMISSION OF AMPHENOL. ALL DIMENSIONS ARE SUBJECT TO NORMAL MANUFACTURING VARIATIONS.	
1) All dimensions are in millimeters.		PROCESS SPECIFICATIONS:	
2) Tolerances are as follows:		MATERIAL SPECIFICATIONS:	
1. Pt. DEC ±0.30	Fractions ±1/64	CUSTOMER:	
3. Pt. DEC ±0.08	Angles ±1°	M23A, Flexible Strain Relief	
3) Note reference =		SCALE: NONE	
NEXT ASSY:		SHEET 1 OF 1	