



Chipsmall Limited consists of a professional team with an average of over 10 year of expertise in the distribution of electronic components. Based in Hongkong, we have already established firm and mutual-benefit business relationships with customers from,Europe,America and south Asia,supplying obsolete and hard-to-find components to meet their specific needs.

With the principle of “Quality Parts,Customers Priority,Honest Operation,and Considerate Service”,our business mainly focus on the distribution of electronic components. Line cards we deal with include Microchip,ALPS,ROHM,Xilinx,Pulse,ON,Everlight and Freescale. Main products comprise IC,Modules,Potentiometer,IC Socket,Relay,Connector.Our parts cover such applications as commercial,industrial, and automotives areas.

We are looking forward to setting up business relationship with you and hope to provide you with the best service and solution. Let us make a better world for our industry!



Contact us

Tel: +86-755-8981 8866 Fax: +86-755-8427 6832

Email & Skype: info@chipsmall.com Web: www.chipsmall.com

Address: A1208, Overseas Decoration Building, #122 Zhenhua RD., Futian, Shenzhen, China



Features

- ◆ No Wirebonds Required
- ◆ Rugged Silicon-Glass Construction
- ◆ Silicon Nitride Passivation
- ◆ Polymer Scratch and Impact Protection
- ◆ Low Parasitic Capacitance and Inductance
- ◆ Ultra Low Capacitance < 40 fF
- ◆ Excellent RC Product < 0.10 pS
- ◆ High Switching Cutoff Frequency > 110 GHz
- ◆ 110 Nanosecond Minority Carrier Lifetime
- ◆ Driven by Standard +5V TTL PIN Diode Driver

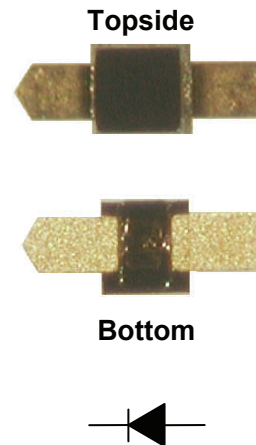
Description

The MA4PBL027 is a silicon beamlead PIN diode fabricated with M/A-COM Technology Solutions HMIC™ process. It features one silicon pedestal embedded in a low loss, low dispersion glass which supports the beam-leads. The diode is formed on the top of the pedestal, and airbridges connect the diode to the beam-leads. The topside is fully encapsulated with silicon nitride and also has an additional polymer layer for scratch and impact protection. These protective coatings prevent damage to the diode junction and air-bridge during handling and assembly. The diodes exhibit low series resistance, low capacitance, and extremely fast switching speed.

Applications

The ultra low capacitance, low RC product and low profile of the MA4PBL027 makes it an ideal choice for use in microwave and millimeter wave switch designs, where low insertion loss and high isolation are required. The low bias levels of +10 mA in the low loss state and 0v in the isolation state allows the use of a simple + 5V TTL gate driver. These diodes can be used as switching arrays on radar systems, high speed ECM circuits, optical switching networks, instrumentation, and other wideband multi-throw switch assemblies.

MA4PBLP027



Absolute Maximum Ratings @ T_{AMB} = 25°C (unless otherwise specified)

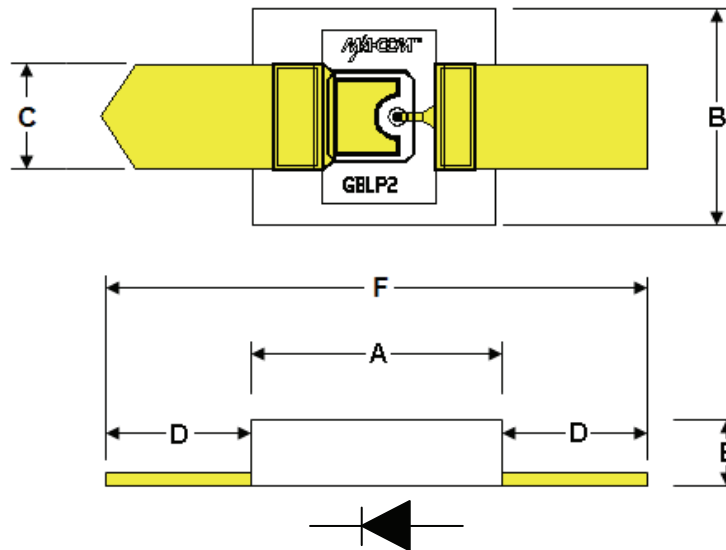
Parameter	Absolute Maximum
Forward Current	100 mA
Reverse Voltage	90 V
Operating Temperature	-55°C to +125°C
Storage Temperature	-55°C to +150°C
Junction Temperature	+175°C
RF C.W. Incident Power	30 dBm C.W.
RF & DC Dissipated Power	150 mW
Mounting Temperature	235°C for 10 sec.

Electrical Specifications at $T_{AMB} = 25^{\circ}C$

Test Conditions	Parameters	Units	Min	Typical	Max.
Total Capacitance @ $-5V/10\text{ GHz}^1$	Ct	fF	–	26	30
Forward Resistance @ $+20mA/10\text{ GHz}^2$	Rs	Ohms	–	4	4.9
Forward Voltage at +10mA	Vf	Volts	1.2	1.36	1.5
Leakage Current at -40 V	Ir	nA	–	50	300
Minority Carrier Lifetime	TL	nS	–	5	10

Notes:

1. Capacitance is determined by measuring the isolation of a single series diode in a 50Ω line at 10GHz.
2. Forward series resistance is determined by measuring the insertion loss of a single series diode in a 50Ω line at 10GHz.



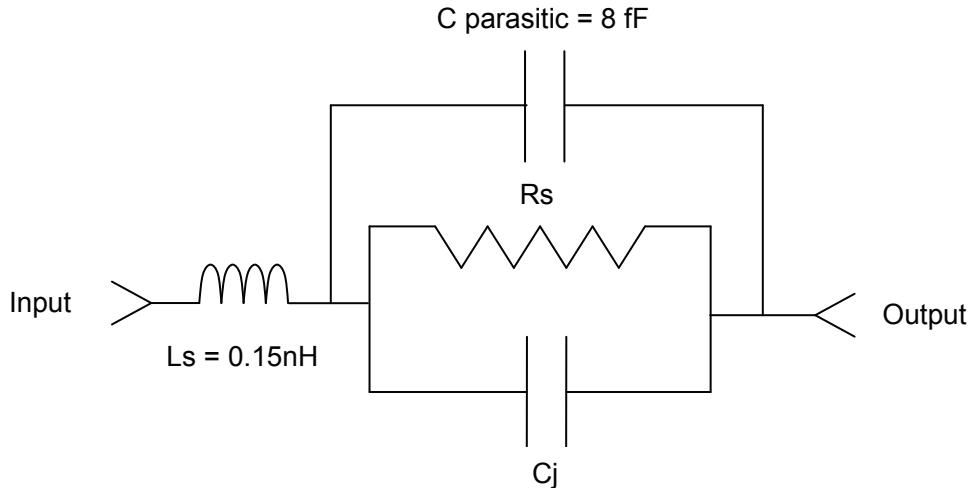
DIM	INCHES		MM	
	MIN.	MAX.	MIN.	MAX.
A	0.009	0.013	0.2286	0.3302
B	0.0049	0.0089	0.1245	0.2261
C	0.0037	0.0057	0.0940	0.1448
D	0.0049	0.0089	0.1245	0.2261
E	0.002	0.006	0.0508	0.1524
F	0.0218	0.0278	0.5537	0.70612

Electrical Specifications at $T_{AMB} = 25^{\circ}C$

Parameter	Symbol	Conditions	Units	Typical	Maximum
Total Capacitance	C_T	0V, 1MHz ²	pF	0.048	
Total Capacitance	C_T	-3V, 1MHz ²	pF	0.039	
Total Capacitance	C_T	-10V, 1MHz ²	pF	0.033	0.040
Total Capacitance	C_T	-40V, 1MHz ²	pF	0.030	0.040
Total Capacitance	C_T	0V, 100MHz ^{2,4}	pF	0.043	
Total Capacitance	C_T	-3V, 100MHz ^{2,4}	pF	0.033	
Total Capacitance	C_T	-10V, 100MHz ^{2,4}	pF	0.031	
Total Capacitance	C_T	-40V, 100MHz ^{2,4}	pF	0.027	
Total Capacitance	C_T	0V, 1GHz ^{2,4}	pF	0.039	
Total Capacitance	C_T	-3V, 1GHz ^{2,4}	pF	0.032	
Total Capacitance	C_T	-10V, 1GHz ^{2,4}	pF	0.029	
Total Capacitance	C_T	-40V, 1GHz ^{2,4}	pF	0.026	
Series Resistance	R_S	10mA, 100 MHz ^{3,4}	W	3.8	
Series Resistance	R_S	20mA, 100 MHz ^{3,4}	W	3.0	
Series Resistance	R_S	10mA, 1GHz ^{3,4}	W	3.5	
Series Resistance	R_S	20mA, 1GHz ^{3,4}	W	2.8	
Forward Voltage	V_F	20mA	V	0.917	1.1
Reverse Voltage	V_R	-10 μ A	V	110	
Reverse Current	I_R	-40 V	nA	1.0	
Reverse Current	I_R	-90 V	μ A	-	10.0
Carrier Lifetime	T_L	+10mA / -6mA	ns	110	

Notes:

- Total capacitance, C_T , is equivalent to the sum of Junction Capacitance, C_j , and Parasitic Capacitance, C_{par} .
- Series resistance R_S is equivalent to the total diode resistance : $R_s = R_j$ (Junction Resistance) + R_c (Ohmic Resistance)
- R_s and C_T are measured on an HP4291A Impedance Analyzer with die mounted in an ODS-186 package with conductive silver epoxy



MA4PBL027 SPICE Model

NLPINM1	wBv= 90 V
Is=1.0E-14 A	wPmax= 150 mW
Vi=0.0 V	Ffe= 1.0
Un = 900 cm ² /V-sec	M= 0.5
Wi= 14 um	Fc= 0.5
Rr= 100 K Ohms	Imax= 1.1E+5 A/m ²
Cjmin= 0.030 pF	Kf= 0.0
Tau= 110 nsec	Af=1.0
	Vj= 0.7 V
	AllParams =
Rs(I)= Rc + Rj(I) = 0.05 Ohm	
Cj0= 0.040 pF	

Handling and Assembly Procedures

The following precautions should be observed to avoid damaging these devices.

Cleanliness

These devices should be handled in a clean environment.

Static Sensitivity

Silicon PIN diodes are ESD sensitive and can be damaged by static electricity. They are classified Class 1, HBM and proper ESD techniques should be used when handling these devices.

General Handling

A polymer layer provides scratch protection for the diode junction area and anode air bridge. However, the leads of beam lead devices are very fragile and must be handled with extreme care. The leads can easily be distorted or broken by the normal pressures if not careful while handling with tweezers. A vacuum pencil with a #27 tip is the preferred choice for picking and placing.

Attachment

These devices were designed to be inserted onto hard or soft substrates. Recommended methods of attachment include thermo-compression bonding, parallel-gap welding and electrically conductive silver epoxy.

Ordering Information

Part Number	Packaging
MA4PBL027	Gel Pak/100pcs